

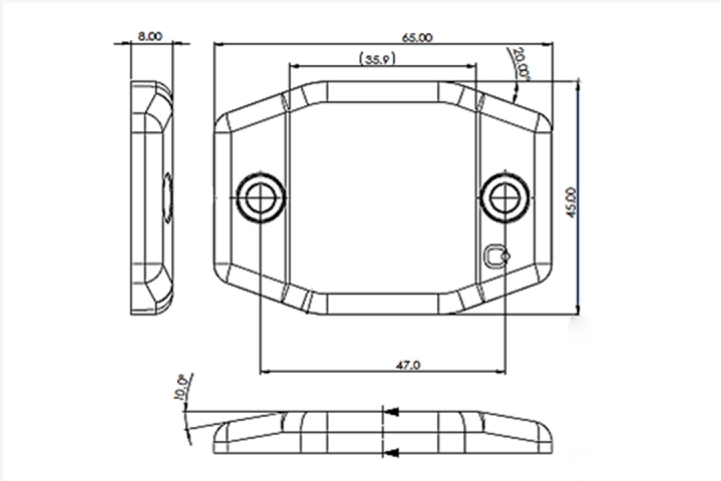
[Products] you can identify with



Physical Specifications

Material	ABS
Size	65 x 45 x 8 +/- 0.5 mm, 2.56 x 1.77 x 0.31 +/- 0.02 in
Weight (g)	34
Attachment	Rivet / Screw (not included), foam adhesive (option) or thin film adhesive (option)

Dimensions



Measurements shown in mm

Adept 850

Omni-ID's Adept 850 durable High Memory RFID tag is specifically designed to store production data throughout global manufacturing operations. With 64Kbits user memory, a slim profile, tapered corners and secure connections, this tag is ideal for mounting on cycling metal carriers to give years of durable service.

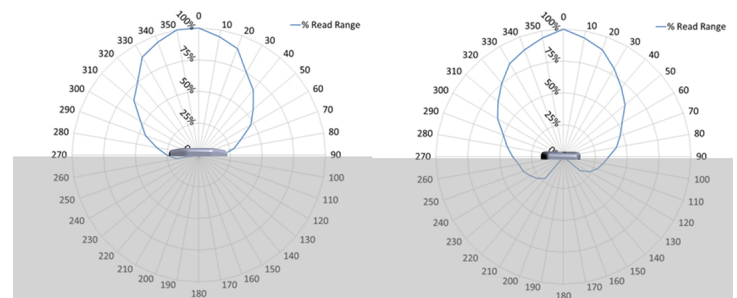


RF Specifications

Radio Protocol	EPC Class 1 Gen2v2
Frequency Range	860 – 960 MHz (Global)
Read Range	Up to 8.5m (27.89 feet)
Write Range	Up to 4m
On Metal or Balanced	Optimized for metal
IC Type (Chip)	Qstar-2A
Memory	EPC - 240 bits User - 64K bits

EPC and User memory are reprogrammable. UTID is locked at point of manufacture by IC manufacturer.

Radiation Patterns



[Products] you can identify with



Omni-ID's Adept 850 High Memory Tag is an ideal solution for applications where storing process data is important such as:

- * Manufacturing & Supply Chain
- * Automotive
- * Outdoor & Industrial Operations

Certifications

CE, RoHS, ATEX/IECEX certified (option), US&Canada (C1D1/D2) certified (option)



Environmental Specifications

Operating Temperature	-20°C to +85°C
Survivability	-20°C to +85°C
IP Rating	IP68
Shock & Vibration Tolerance	MIL-STD-810 G

Ordering Information

Product Options	:303 (Customization) :304 (ATEX/IECEX certified) :307 (US & Canada (C1D1 certified)) :701 (Standard Service Bureau)
Part Number / Order Codes / Order Numbers	114 - GS

For product or technology inquiries email: sales@omni-id.com.
Visit omni-id.com to learn more about the complete line of **Omni-ID RFID** products