

[Products] you can identify with



Exo 800P Rigid

Omni-ID Exo 800P Rigid is a low profile, medium range, durable RFID tag optimized for attachment to plastic assets. It's thin design is ideal for attachment with little protrusion. The tag's global frequency ensures functionality tracking mobile assets worldwide.



Physical Specifications

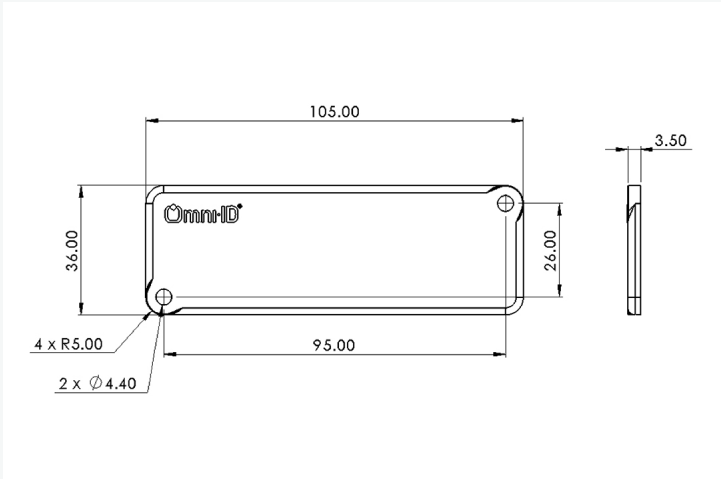
Material	ABS
Size	105 x 36 x 3.5 mm, 4.1 x 1.4 x 0.14 in
Weight (g)	11.6
Attachment	Rivet / Scren (not supplied) or premium foam (option)

RF Specifications

Frequency Range	860 - 930 (GS)
Read Range	Up to 8m (on plastic)
On Metal or Balanced	Optimized for plastic containers
IC Type (Chip)	Alien Higgs 3
Memory	EPC - 96 bits User - 512 bits Unique TID - 64 bits

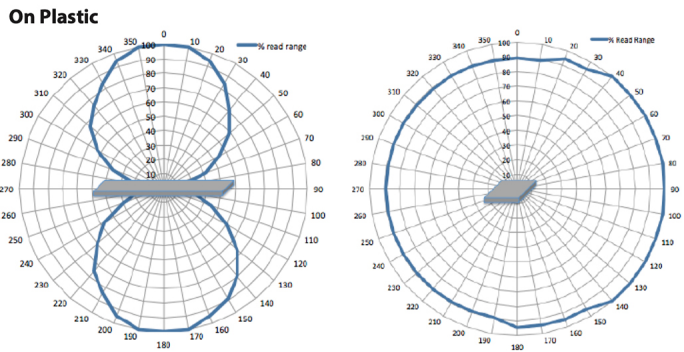
EPC and User memory are reprogrammable. UTID is locked at point of manufacture by IC manufacturer.

Dimensions



Measurements shown in mm

Radiation Patterns



[Products] you can identify with



The Omni-ID Exo 800P Rigid tag is ideally suited to yard management and logistics applications in:

- Plastic RTIs and containers
- Plastic pallets
- Non-metallic industrial assets

Certifications

CE, RoHS



Environmental Specifications

Operating Temperature	-20°C to +85°C
Survivability	-20°C to +85°C
IP Rating	IP68
Shock & Vibration Tolerance	MIL-STD-810 G

Ordering Information

Warranty	1 year
Product Options	:303 (Customization) :508 (Premium foam) :701 (Standard Service Bureau)
Part Number / Order Codes / Order Numbers	104 - GS

For product or technology inquiries email: sales@omni-id.com.
Visit omni-id.com to learn more about the complete line of **Omni-ID RFID** products