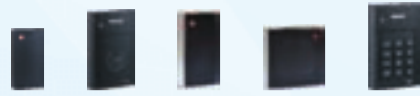


TPS-R201 is a multi-functional one-door integrated access controller with sleek design, it is easy to install and convenience to use. it also can be used as lift controller. It can realize access control and attendance function by software. Moreover it can be used off-line for access control management.

Smart Card Reader



Electric Lock



Device Parameter	
Communication mode	TCP/IP
Communication rate	10M/100M
User capacity	20000(up to 60000)
Record Capacity	50000(up to 130000)
Alarm Record Capacity	20000(up to 130000)
Door Quantify	Max. 1
Dry Contact Input	2
Dry Contact Output	3
Reading Mode	ID or IC
Reader Interface	1
Input Protection	TVS lightning protection, PTT surge protection.
Output protection	Varistor protection
Working voltage	DC12V
Working Current	non-load<0.11A
Power	<6W
Size	150x 8x 28mm

Function

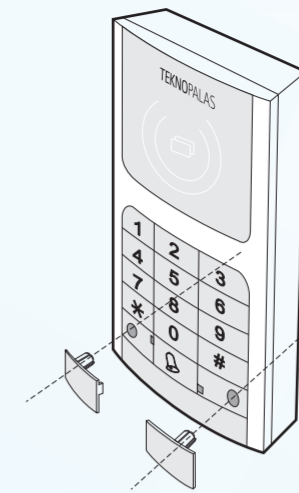
First-card	Any card can be first-card
Multi-card	Support 4 cards
Remote Access Control	Any door can be opened via center authentication.
Enforced control	Forced open/close door for long time.
Threaten Code	A group of 6 digits code
Open Door by Password	Every user can be assigned with one password.
Door Normal Open Timed	Normal open can be set for three time segments.
Door Bolt Mode	Normal open in unfixed time
Invalid Time for Exit Button	Deactivate Exit Button for three time segment
Anti-passback	Two readers or all readers can be set in a group.
Temporary Card	All users can be set as temporary cards.
Self-defined Input / Output	Self-defined input/output and relay.
Activate/Dismiss Security	Any user can activate/dismiss security by card or software
Data Storage Mode	Cycled Storage
Video Record/Snapshot	Related video, record or snapshot via NSM
Access Authority	200 groups
Authentication Mode	Card, card+password, password, card or password
Reader Protocol	Wiegand26



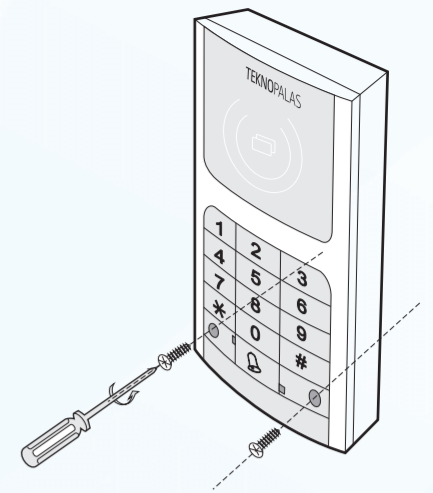
TEKNOPALAS
R201 Entegre Access Kontrol Cihazı



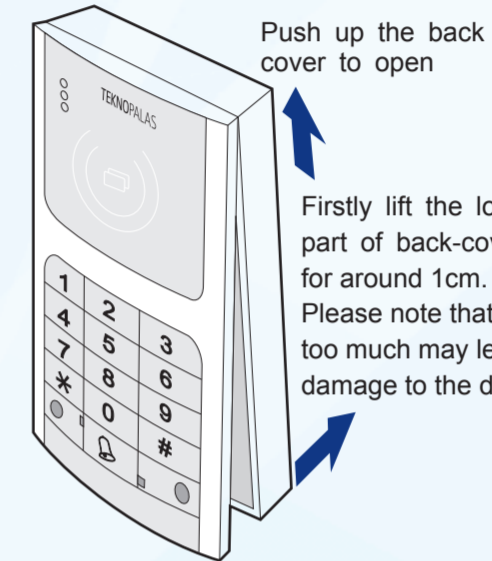
TEKNOPALAS
R201 Entegre
Access Kontrol Cihazı
www.teknopalas.com.tr



4.1 Remove the two keys

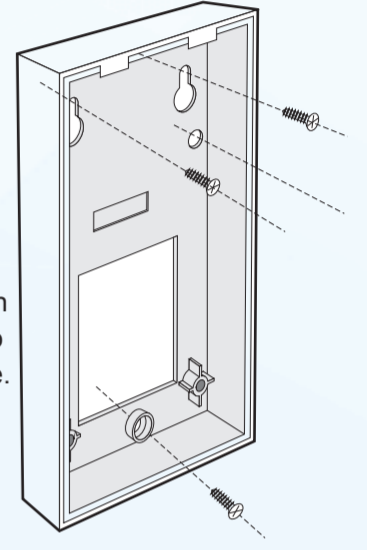


4.2 Unfasten the two screws



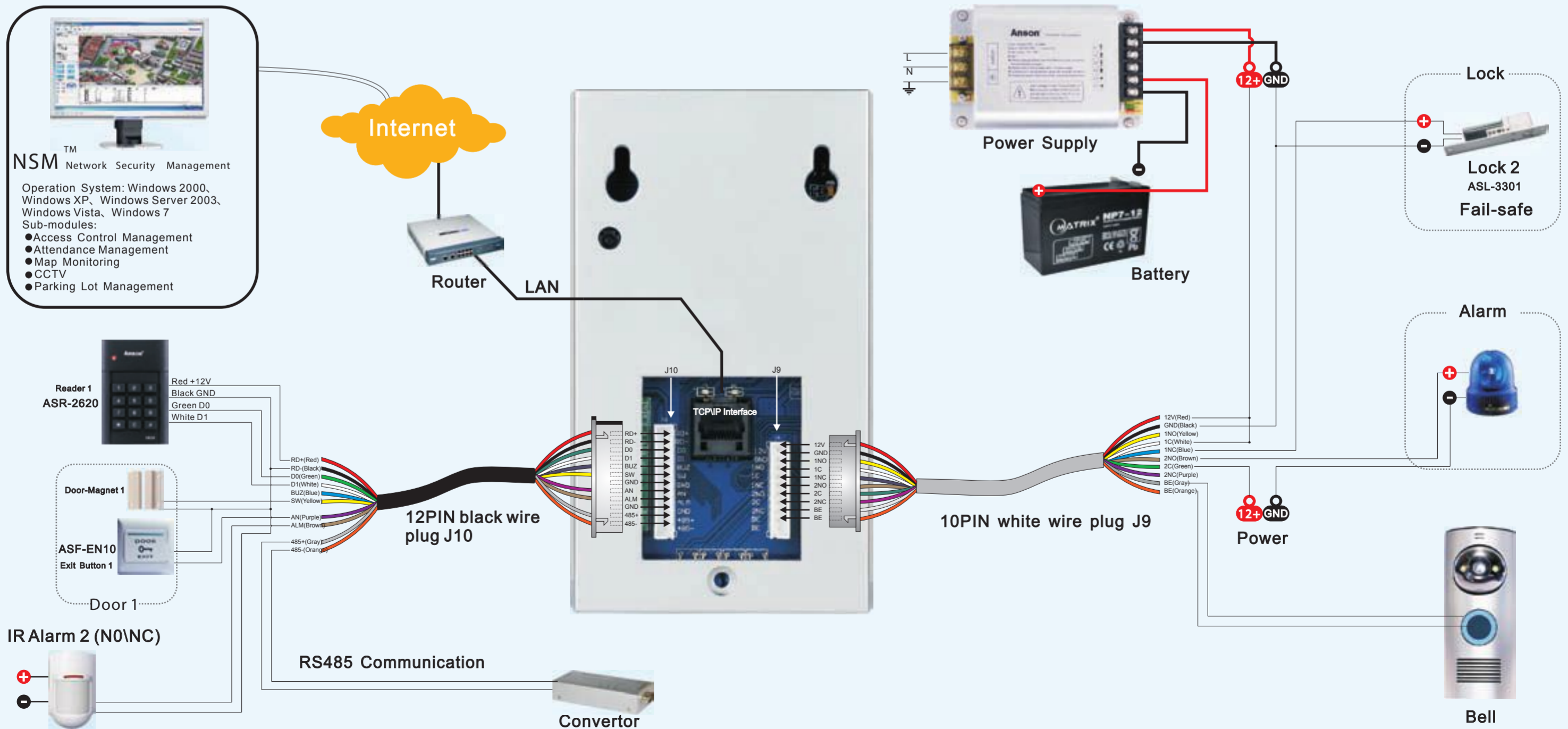
Push up the back cover to open

Firstly lift the lower part of back-cover for around 1cm. Please note that open too much may lead to damage to the device.



4.3 Open the back cover and connect the device according to the wiring diagram.

4.4 Fix it on the wall and reassemble the device.



1. Instruction for Keypad Operation

1. Operation Indication

1.1 Sound Indication:

- 1.1.1 One long sound is operation successful or enter menu.
- 1.1.2 Three short sounds is operation failure.
- 1.1.3 Four short sounds is the position existed card.
- 1.1.4 Five short sounds is card already exist.

1.2 LED Light Indication:

Blue : Power indication light, keep on after power on.

Green : Operation indication light, operation success quick-flash one time, operation fail slow-flash 3 times.

Orange : Status indication light.

- | | |
|------------------|----------|
| 1 Standby | Keep Off |
| 2 Input Password | Flash |
| 3 Edit Mode | Keep On |

2. Setup Operation

1) Enter Edit Mode

Press "*" and input administrator password (Default is 000000).

If password correct then enter edit mode, or return to main interface.

2) Basic Setup

Basic Setup : System initialization, dismiss/activate security, tamper setup, exit button setup, door-magnet setup, alarm setup.

2.1 System Initiation

System initiation will clear device all setups, register information and records to original.

Operation : Edit Mode—>Input 11

System initiation time about 30s, during the initiation status, device will beep every 0.5s, when successful, a long buzzing and return to upper menu.

2.2 Dismiss/Activate Security

Operation : Edit—>Input 121 enter Activate Security.

Edit—>Input 122 enter Dismiss Security

2.3 Tamper Setup :

Operation : Edit—>13 Enter Tamper Setup

Input 00 Cancel Tamper

Input 01 Start Tamper

Operation : Edit—>Input 38—>Delete All Cards—>Automatically exit

5) Password Management

Password Management: Admin Password, Threaten code

5.1 Admin Password Setup

Operation : Edit—>Input 41—> Input new password—>Re-input new password—>Automatically Exit

5.2 Threaten code Setup

Operation : Edit—>Input 42—>Input new code—>Re-input new code—>Automatically Exit

2.4 Exit Button Setup

Exit button setup: Exit button Type , Exit button disabled

2.4.1 Exit Button Type

Operation : Edit—>Input 141 Enter Exit Button Type Setup

Input 01 enter Normal Open

Input 00 enter Normal Close

2.4.2 Exit Button Disabled Setup

Operation : Edit—>Input 142 Enter Setup

Input 01 enter Exit button valid

Input 00 enter Exit Button Disabled

2.5 Door-Magnet Setup

Door-Magnet Setup: Door-Magnet Type Setup, Door-open time-out length setup

2.5.1 Door-Magnet Type Setup

Operation : Edit—>Input 151 Enter Setup

Input 01 enter Normal Open

Input 00 enter Normal Close

2.5.2 Door-open Time-out Length Setup

Operation : Edit—>Input 152 Enter Setup

Input two number (00 to 99), unit: second

2.6 Alarm Setup

Alarm Setup: Alarm Type Setup, Alarm Action Delay, Alarm Relay

Output.

2.6.1 Alarm Type Setup

Operation : Edit—>Input 161 Enter Setup

Input 01 enter Normal Open

Input 00 enter Normal Close

2.6.2 Alarm Action Delay Setup

Operation : Edit—>Input 162 Enter Setup

Input two number (00 to 99), unit: second

2.6.3 Alarm Relay Output Setup

Operation : Edit—>Input 163 Enter Setup

Input 1 Relay 1 output

Input 2 Relay 2 output

Input 3 Relay 1 and 2 output

Input 4 Not Output

3) Access Mode Setup

Access Mode Setup: Door-open Delay, Door-open Mode

3.1 Door-Open Delay

Operation : Edit—>Input 21 Enter Setup

Input two number (00 to 99), unit: second

3.2 Door-open Mode Setup

Operation : Edit—>Input 221 Open by Card

Input 222 Card+Password

Input 223 Password

Input 224 Card or Password

4) Staff Management

Staff Management: Add Card, Delete Card

4.1 Add Card

Add Card: Add card continuously, add single card, add card+password continuously, add single card+password, add single password, add password continuously.

4.1.1 Add Card Continuously

Operation : Edit—>Input 31—> Input 4-digit initial code—>Read Card continuously—>Press"# " exit

4.1.2 Add Single Card

Operation : Edit—>Input 32—> Input 4-digit code—>Read Card—>Press"# " exit

4.1.3 Add Card+Password Continuously

Operation : Edit—>Input 33—> Input 4-digit initial code—>Read Card—>Input Password—>Re-input Password—>... —>Press"# " exit

4.1.4 Add Single Card+Password

Operation : Edit—>Input 34—> Input 4-digit code—>read Card—>Input Password—>Re-input Password—>Press"# " exit

4.1.5 Add Password Continuously

Operation : Edit—>Input 35—>Input 4-digit initial code—>Input Password—>Re-input Password—>...—> Press"# " exit

4.1.6 Add Single Password

Operation : Edit—>Input 36—>Input 4-digit code—>Input Password—>Re-input Password—>Press"# " exit

4.2 Delete Card

4.2.1 Delete card by 4-digit code or read the card

Operation : Edit—>Input 37—> Input 4-digit code or read card—>Automatically exit

4.2.2 Delete All Cards

2. Important Notices



If user do not follow below items, system may not work well, even bring some damages.

2.1. Any connection and operation are prohibited when components or the controller is power on.

2.2. Please connect the system according to the instructions described in this manual.

2.3. IP address should not be repeated. If there are two network cards in PC, please prohibit one.

2.4. Please use specified power supply.

