

Cargo Trak



The Cargo Trak is well suited to meet shipping and logistics management applications where longer read ranges and durable tags are required. The flexibility to tag both plastic and metallic surfaces in a predominant metallic environment provides the customer a one-stop solution for asset management.



Multi-Surface
on/off metal



Superior read range



High performance
yet cost-effective



IP68



Various easily
mounting systems



- Automated Inventory
- Manufacturing WIP
- Industrial Supply Chain

[LEARN MORE >](#)

Performance Characteristics

Read range (On metal) ¹	Up to 39 ft (12 m)
Read range (Off metal) ¹	Up to 20 ft (6 m)
Polarization	Linear
Attachment	Rivet hole, \varnothing 0.14 in (3.5 mm), Adhesive (optional)

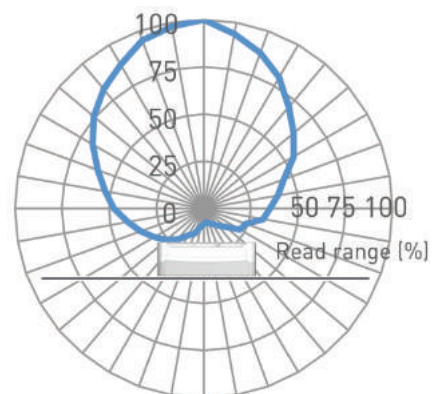
1. Fix reader

Functional Specifications

RF protocol	EPC global Class 1 Gen2
Frequency	902-928 (US) ; 865-868 (EU)
IC type (chip) ¹	Alien Higgs-3
Memory	96-EPC bits, 64-bit unique TID, 512-bit user memory
Material	Industry grade polymer

1. The chip data retention is up to 50 years, based on chip operating under general environment conditions.

Radiation Pattern



Environmental Specifications

Operational temperature	-40°C to +85°C
Survival temperature	-40°C to +85°C
IP rating	IP68
Compression strength	29 psi (200 kPa)
Shock (drop)	3 ft (1 m) to concrete/granite
Vibration	MIL-STD-810G

Industry Compliance

RoHS	EU Directive 2011/65/EU
CE	Yes
ATEX/IECEx	Compliant
Warranty	1 year

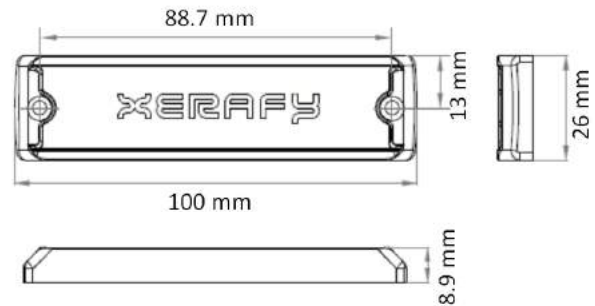
Order Information

X03A0-US100-H3	Cargo Trak US
X03A0-EU100-H3	Cargo Trak EU
Optional service	Encoding / Printing

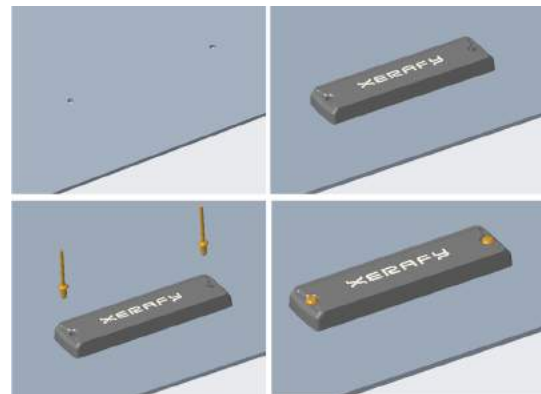


Product Dimensions and Weight

Dimensions (in)	3.94 x 1.02 x 0.35
Tolerance	+/- 0.02
Dimensions (mm)	100 x 26 x 8.9
Tolerance	+/- 0.5
Rivet hole diameter	0.14 in +/-0.008 (3.5 mm +/-0.2)
Weight	0.61 oz (17.2 g)



Installation Instructions



Instructions for optimal performances:

1. Drill two holes on the subject metal surface.
(ϕ 3.4mm, pitch: 88.7mm)
2. Insert two ϕ 3.2mm (recommended size) rivets on the tag.
3. Fix the tag on the metal surface with a rivet gun.

About Xerafy

Xerafy designs and manufactures the world's toughest RFID tags to power Industrial IoT applications in Aerospace, Oil & Gas, Automotive, Healthcare and Manufacturing.

For Product inquiries: sales@xerafy.com
Singapore | China | US | UK

[GO TO WEBSITE >](#)