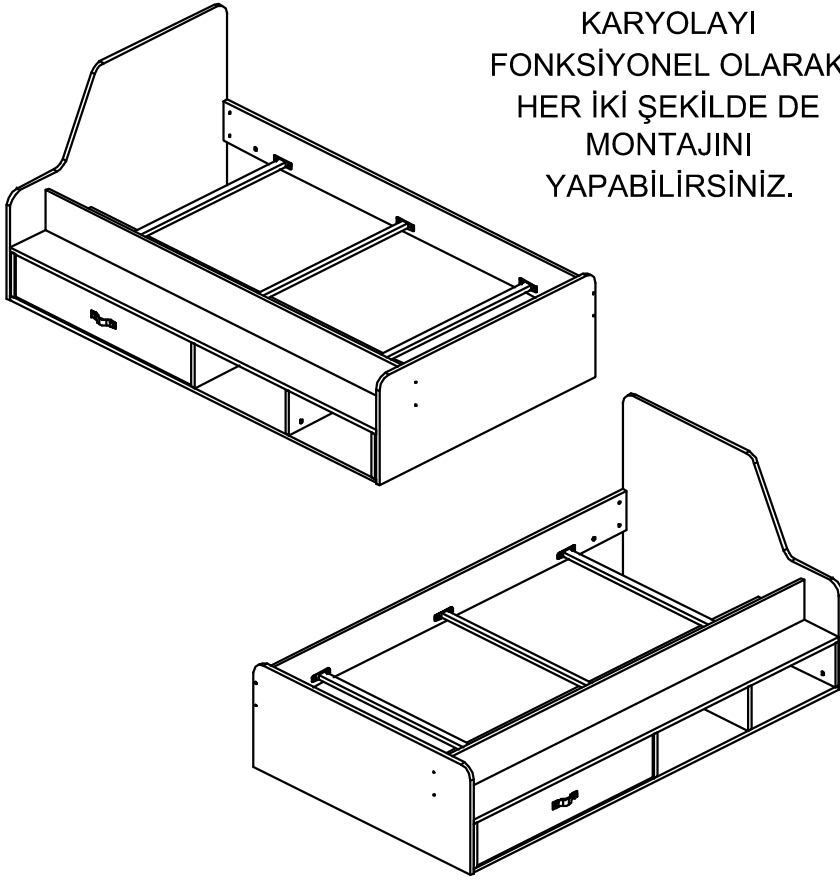
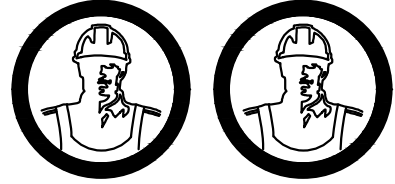


AKTİF KARYOLA (AKTİF BEDSTEAD)

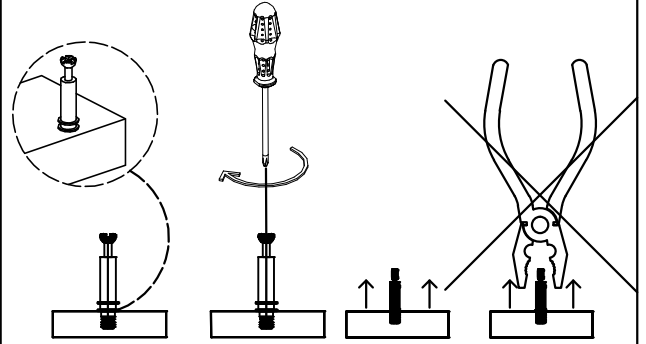
KARYOLAYI
FONKSİYONEL OLARAK
HER İKİ ŞEKİLDE DE
MONTAJINI
YAPABİLİRSİNİZ.



KURULUM 2 KİŞİ İLE
YAPILMALIDIR.



GEREKLİ ARAÇLAR

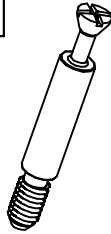


X-01



26 x

X-02



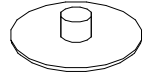
26 x

X-03



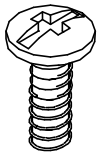
18 x

X-04



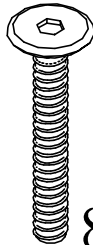
26 x

X-05



12 x

X-06



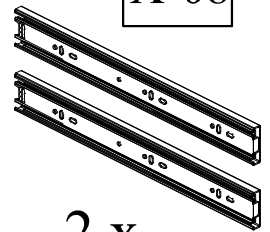
8 x

X-07



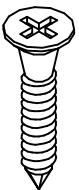
8 x

X-08

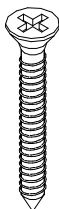


2 x

X-09

8 x
(3,5x18)

X-10

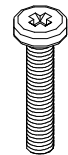
3 x
(3,5*25)

X-11

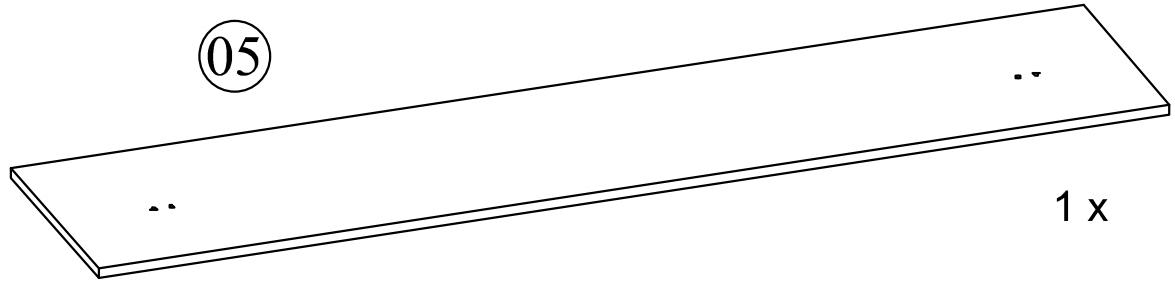


1 x

X-12

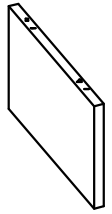
2 x
(M4*22)

05



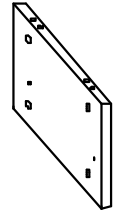
1 x

04



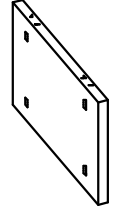
1 x

03



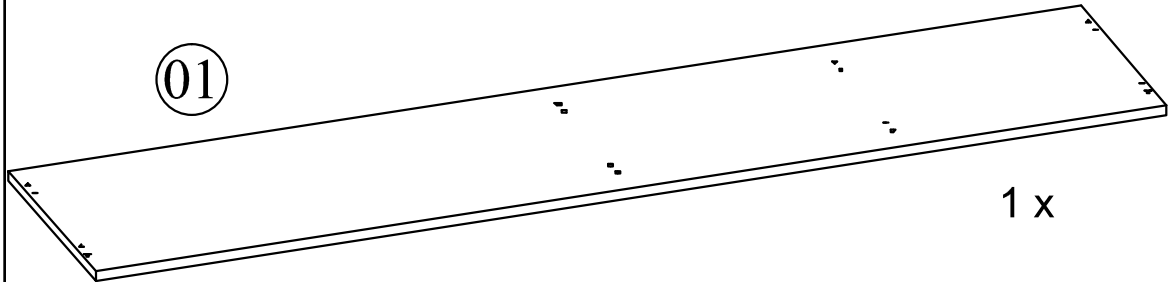
1 x

02



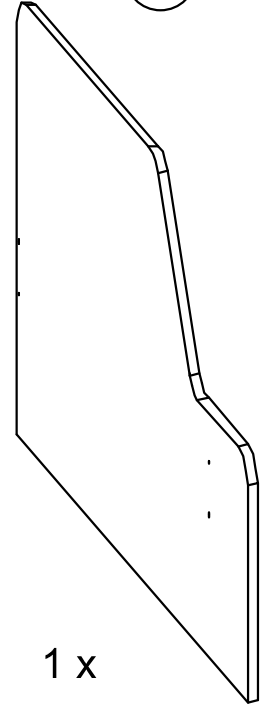
2 x

01



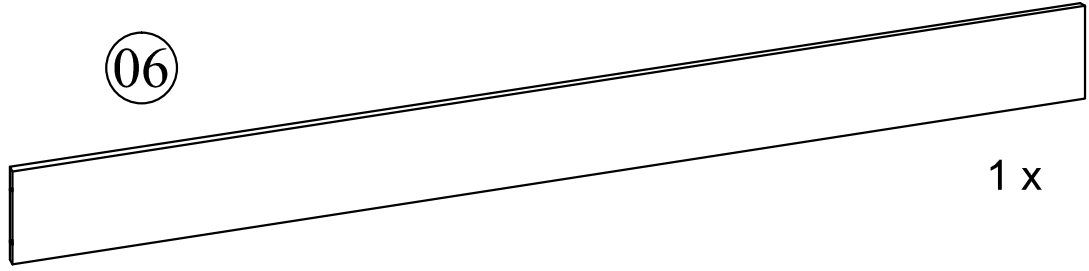
1 x

07



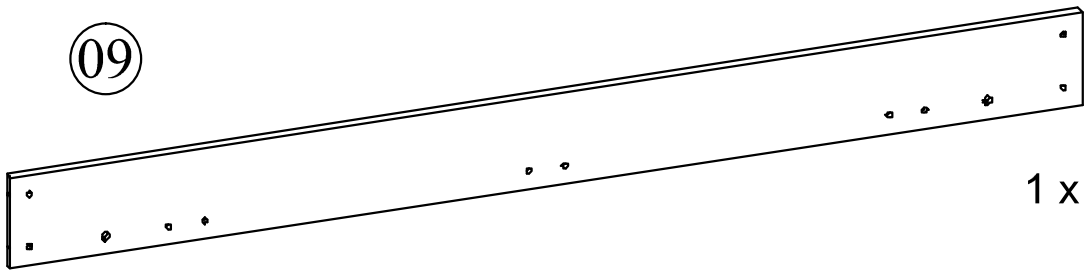
1 x

06



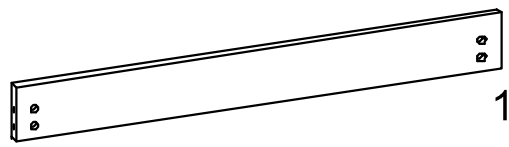
1 x

09



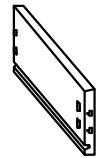
1 x

12



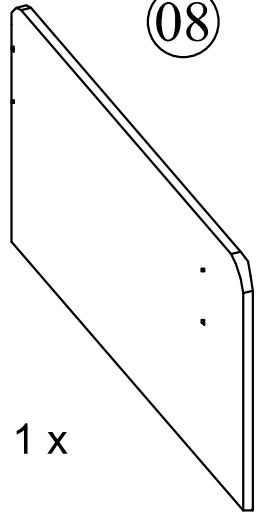
1 x

10



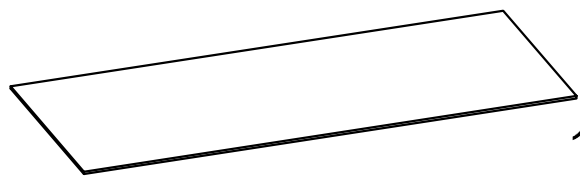
1 x

08



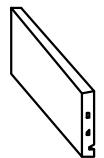
1 x

14



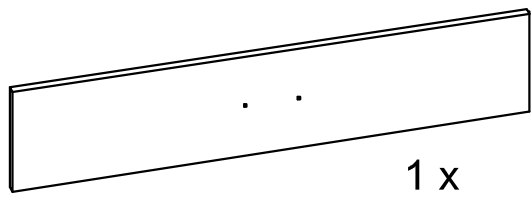
1 x

11



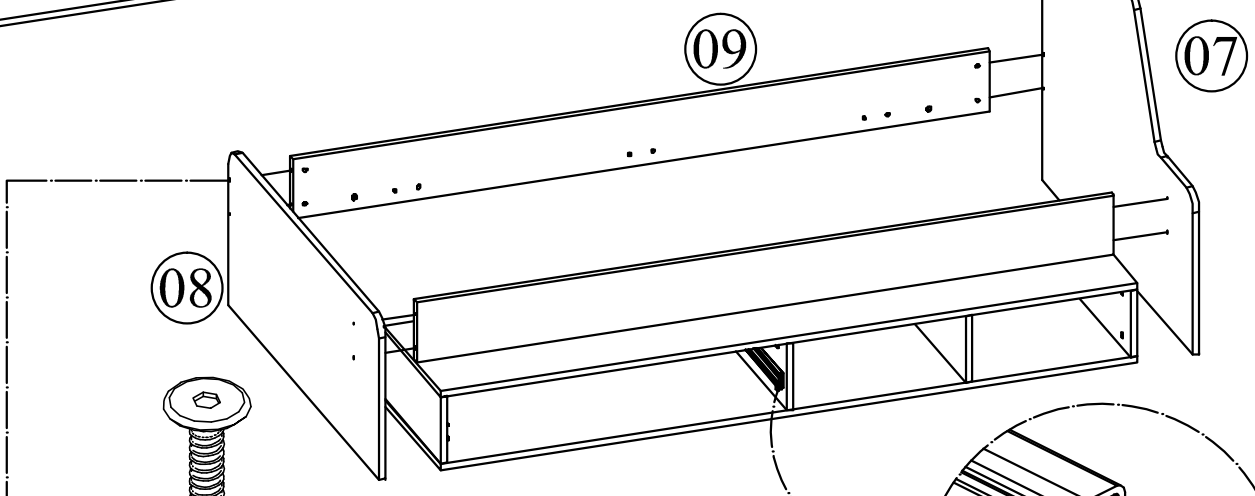
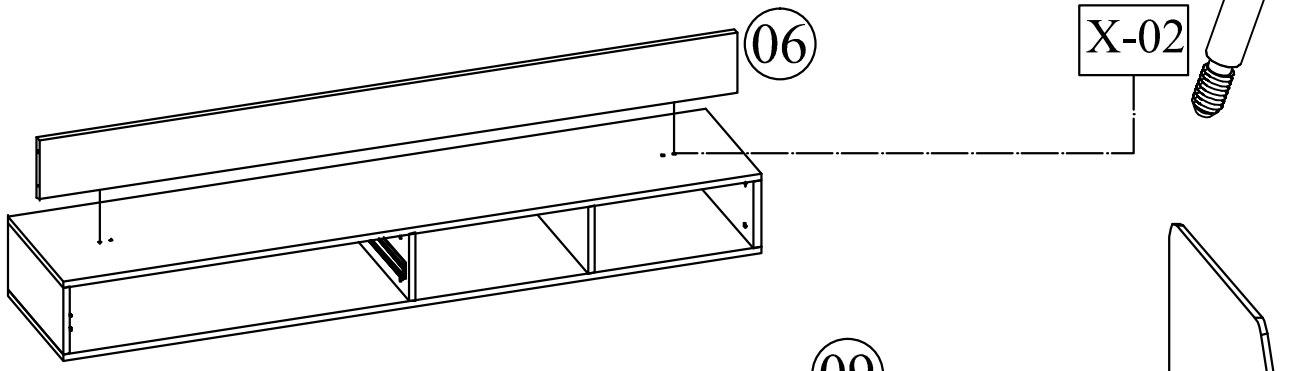
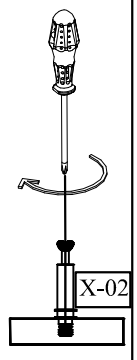
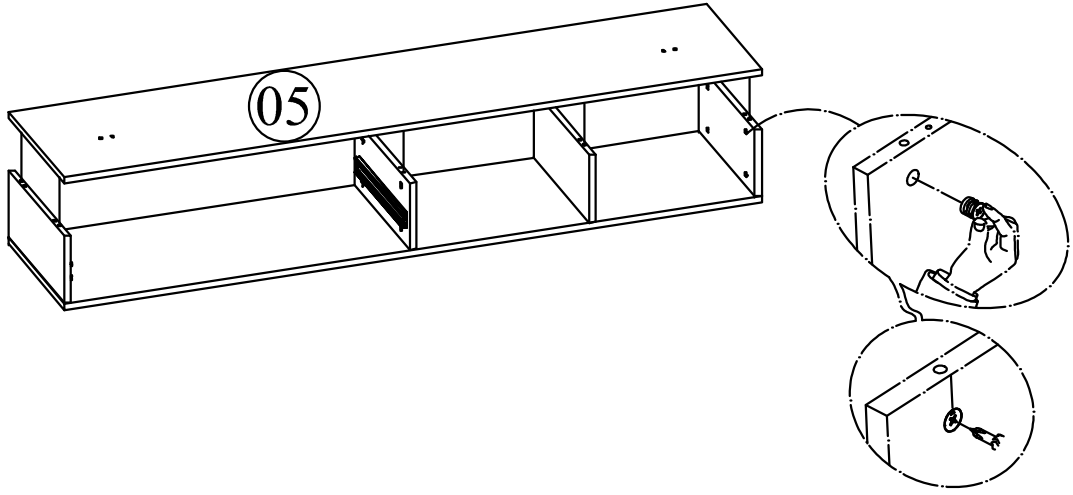
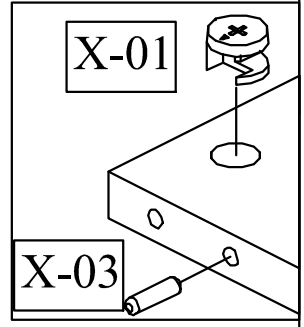
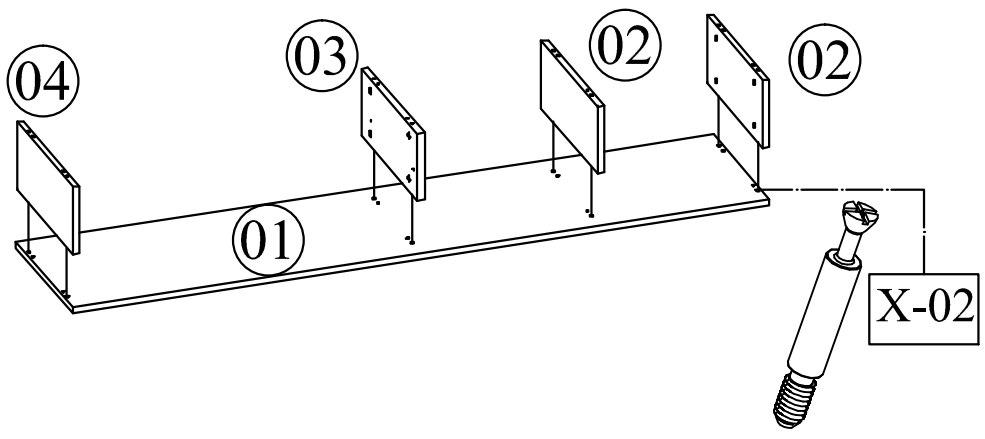
1 x

13

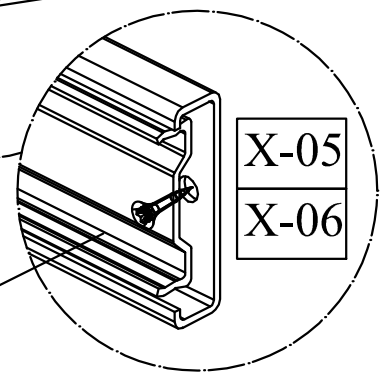
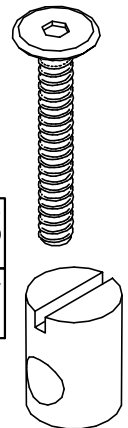


1 x

DİKKAT!
(ATTENTION!)



X-06
X-07



X-05
X-06

