

ACVATIX™

Electro-hydraulic actuators for valves

SKB..

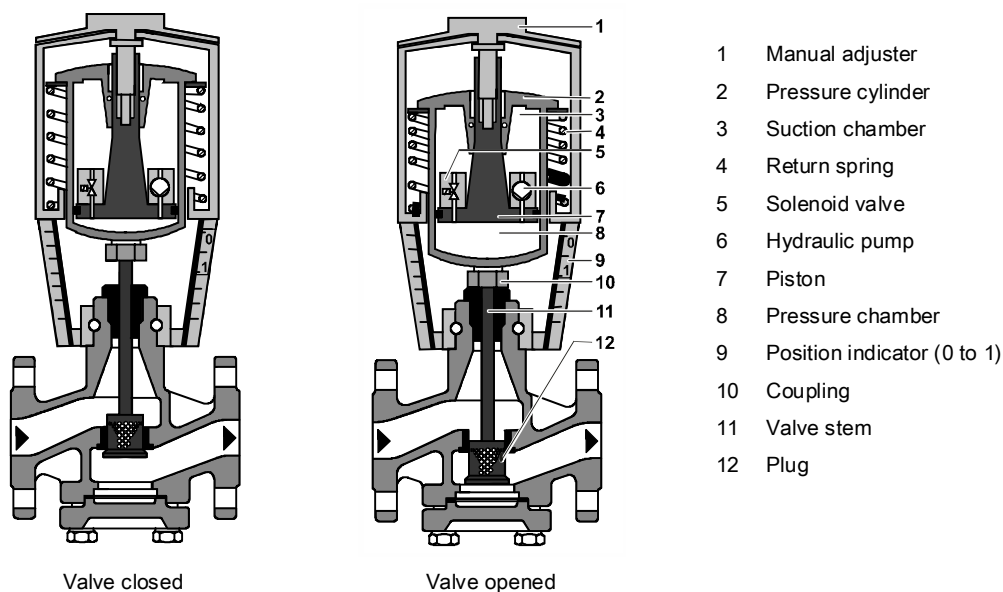


with a 20 mm stroke

- SKB32.. Operating voltage AC 230 V, 3-position control signal
- SKB82.. Operating voltage AC 24 V, 3-position control signal
- SKB6.. Operating voltage AC 24 V
 - Control signal DC 0...10 V, 4...20 mA or 0...1000 Ω
 - SKB62/MO RS-485 for Modbus RTU communication
 - Selection of flow characteristic, position feedback, stroke calibration, LED status indication, override control
 - SKB62UA with selection of direction of operation, stroke limit control, sequence control with adjustable start point and operation range, operation of frost protection monitors QAF21.. and QAF61..
- Positioning force 2800 N
- Versions with or without spring-return function
- For direct mounting on valves; no adjustments required
- Manual adjuster and position indicator
- Optional functions with auxiliary switches, potentiometer, stem heater and mechanical stroke inverter
- SKB..U are UL-approved

For the operation of Siemens 2-port and 3-port valves of the types VVF..., VVG..., VXF.. and VXG.. with a 20 mm stroke as control and safety shut-off valves in heating, ventilation and air conditioning plants.

Principle of electro-hydraulic actuators



Opening the valve

The hydraulic pump [6] forces oil from the suction chamber [3] to the pressure chamber [8], thereby moving the pressure cylinder [2] downwards. The valve stem [11] retracts and the valve opens. Simultaneously, the return spring [4] is compressed.

Closing the valve

Activating the solenoid valve [5] allows the oil in the pressure chamber to flow back into the suction chamber. The compressed return spring moves the pressure cylinder upwards. The valve stem extends and the valve closes.

Manual operation mode

For manual operation, swing out the crank so that the display window becomes visible. By rotating the crank clockwise, the pressure cylinder is moved downwards. The display window shows the engagement bar and/or the scale dial with stroke indication.

In the manual operation mode, the positioning signals Y and Z can further open the valve but cannot move to the 0 % stroke position of the valve. To retain the manually set position, switch off the power supply or disconnect the positioning signals Y and Z. The crank remains swung out and in the display window the red indicator dial remains visible.



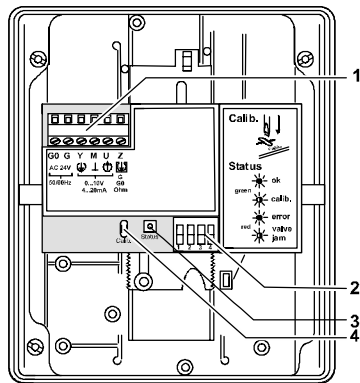
Note:

When setting the controller to manual operation for a longer period of time, we recommend adjusting the actuator with the manual adjuster to the desired position. This guarantees that the actuator remains in this position for that period of time.

Attention: Do not forget to switch back to automatic operation after the controller is set back to automatic control.

Automatic operation mode	For automatic operation, turn the manual adjuster clockwise to the end stop. The pressure cylinder moves upwards to the 0% stroke position of the valve. In the display window, the read scale disappears. Afterwards, swing the crank closed.
Minimal volumetric flow	The actuator can be manually adjusted to a stroke position > 0%, allowing its use in applications requiring a constant minimal volumetric flow.
SKB32.. SKB82.. 3-position control signal	<p>The actuator is controlled by a 3-position signal either via terminals Y1 or Y2 and generates the desired stroke, which is transferred to the valve stem:</p> <ul style="list-style-type: none"> • Voltage on Y1: Piston extends Valve opens • Voltage on Y2: Piston retracts Valve closes • No voltage on Y1 and Y2: Piston and valve stem remain in the respective position
SKB62.. SKB60 Y positioning signal DC 0...10 V and/or 0...1000 Ω, DC 4...20 mA	<p>The actuator is either controlled via terminal Y or override control Z. The positioning signals generate the desired stroke by means of the above described principle of operation, which is transferred to the valve stem:</p> <ul style="list-style-type: none"> • Signal Y increasing: Piston extends Valve opens • Signal Y decreasing: Piston retracts Valve closes • Signal Y constant: Piston and valve stem remain in the respective position • Override control Z: See Functions [→ 8]
Frost protection monitor Frost protection thermostat	<p>A frost protection thermostat can be connected to the SKB6.. actuator. The added signals from the frost protection monitors QAF21.. and QAF61.. require the use of SKB62UA actuators. Notes on special programming of the electronics are described under Electronics [→ 5].</p> <p>Connection diagrams for operation with frost protection thermostat or frost protection monitor can be found under Connection diagrams [→ 26].</p>

SKB60 1)

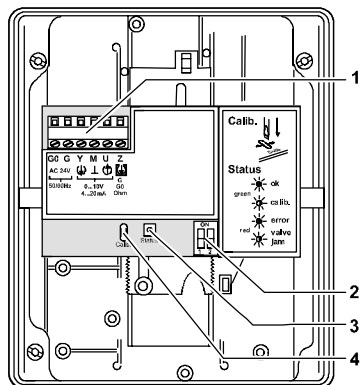


- 1 Connection terminals
- 2 DIL switches
- 3 LED status indication
- 4 Stroke calibration

1) From version ..L onward





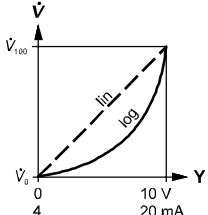
DIL switches								
	Direction of operation		Fail-in-place (behaviour in case of control signal loss) **		Positioning signal Y Positioning feedback U		Flow characteristic	
ON		Reverse acting		Stops at current position		DC 4...20 mA		lin = linear
OFF *		Direct acting		Closes		DC 0...10 V		log = equal percentage
						<p>Relationship between positioning signal Y and volumetric flow</p>		
* Factory setting: all switches OFF								
** Only considered when DIL switch 3 ON (control signal = DC 4...20 mA)								

SKB60 2), SKB62..

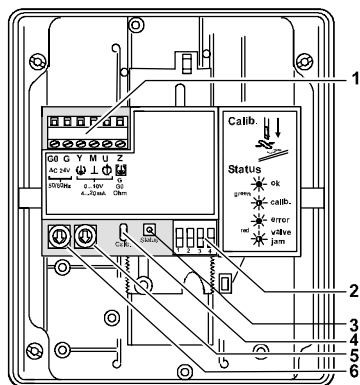


- 1 Connection terminals
- 2 DIL switches
- 3 LED status indication
- 4 Stroke calibration


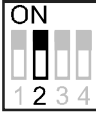
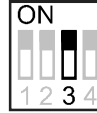



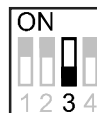

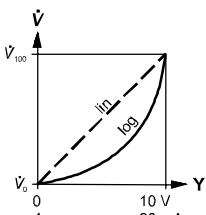
2) Up to and including version ..K

DIL switches				
Positioning signal Y Positioning feedback U			Flow characteristic	
ON		DC 4...20 mA		lin = linear
OFF *		DC 0...10 V		log = equal percentage
* Factory setting: all switches OFF			Relationship between positioning signal Y and volumetric flow	

SKB62UA



- 1 Connection terminals
- 2 DIL switches
- 3 LED status indication
- 4 Stroke calibration
- 5 Rotary switch UP (factory setting 0)
- 6 Rotary switch LO

DIL switches						
Direction of operation		Sequence control or stroke limit control		Positioning signal Y Positioning feedback U		Flow characteristic
ON	 Reverse acting	 Sequence control Signal addition QAF21../QAF61..	 DC 4...20 mA	 lin = linear		
OFF *	 Direct acting	 Stroke limit control	 DC 0...10 V	 log = equal percentage		
* Factory setting: all switches OFF			Relationship between positioning signal Y and volumetric flow			

SKB62/MO

The Modbus converter is designed for analog control at 0...10 V.



Keep the analog signal setting on the actuator as is (switch 1 to OFF); adjustment not permitted.

The actuators are factory configured for equal-percentage characteristic.



DIL switch (internal actuator characteristic changeover) to "log" (switch 2 to OFF).

Functions


Spring-return function

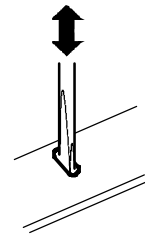
The SKB32.51, SKB82.51.. and SKB62.. actuators, which feature a spring-return function, incorporate a solenoid valve which opens if the control signal or power fails. The return spring causes the actuator to move to the 0% stroke position and closes the valve.

Calibration

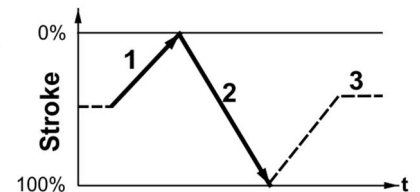
SKB60, SKB62..., SKB62/MO

In order to determine the stroke positions 0% and 100% in the valve, calibration is required on initial commissioning.

- ▷ Mechanical coupling of the actuator SKB6.. with a Siemens valve.
- ▷  **Actuator must be in „Automatic operation mode“ enabling stroke calibration to capture the effective 0% and 100% values.**
- ▷ AC 24 V power supply applied.
- ▷ Housing cover removed.
- 1. Short-circuit contacts in calibration slot (e.g. with a screwdriver) and trigger calibration process.
- 2. Actuator moves to 0% stroke position [1].
 - ⇒ Valve closes.
- 3. Actuator moves to 100% stroke position [2].
 - ⇒ Valve opens.
- ⇒ Measured values are stored.
- ⇒ Normal operation:
 - Actuator moves to the position [3] as indicated by signals Y or Z.
 - LED is lit green permanently, positioning feedback U active, values correspond to the actual positions.



LED flashes grün, positioning feedback U inactive



A red lit LED on the actuator indicates a calibration error.








The LED on the SKB62/MO cable adapter flashes red during the calibration, as the positioning signal Y and the positioning feedback U do not correspond anymore. This is interpreted as a blockage and thus indicated as an error.

If necessary, the calibration can be repeated any number of times.

LED indication of operational status

SKB60, SKB62..., SKB62/MO

The dual-colored LED indicating the operational status is visible when the cover is removed.

LED indication	Function	Remarks, troubleshooting
 Lit green	Normal operation	Automatic operation; everything o.k.
 Flashing green	Stroke calibration in progress	Wait until calibration is finished (LED stops flashing, will be lit green or red)
 Lit red	Faulty stroke calibration	Check mounting; restart stroke calibration (by short-circuiting calibration slot)
	Internal error	Replace electronics
 Flashing red	Inner valve jammed	Troubleshoot, check valve, restart stroke calibration
 Dark	No power supply	Check mains network, check wiring
	Electronics faulty	Replace electronics

As a general rule, the LED can only assume the states shown above – continuously lit red or green, flashing red or green, or off/dark.

Override control Z

SKB60, SKB62..

The override control input Z can be operated in the following modes of operation:

Z-mode					
	No function	Fully open	Closed	Override with 0...1000 Ω	Signal addition SKB62UA only
Connections					
Transfer					
	Equal percentage or linear			Equal percentage or linear	
	<ul style="list-style-type: none"> Z-contact not connected 	<ul style="list-style-type: none"> Z-contact directly connected to G 	<ul style="list-style-type: none"> Z-contact directly connected to G0 	<ul style="list-style-type: none"> Z-contact connected to M via resistor R Starting position at 50 Ω End position at 900 Ω 	<ul style="list-style-type: none"> Z-contact connected to R of frost protection monitor QAF21.. or QAF61..
	<ul style="list-style-type: none"> Valve stroke follows Y-input 	<ul style="list-style-type: none"> Y-input has no effect 			<ul style="list-style-type: none"> Valve stroke follows Y and R(Z) signal



Shown operation modes are based on the factory setting "direct acting".
Y-input has no effect in Z-mode.

Selection of direction of operation

SKB60 (from version ..L), SKB62UA

- With normally-closed valves, "direct acting" means that with a signal input of 0 V, the valve closes (applies to all Siemens valves listed under Equipment combinations [→ 12]).
- With normally-open valves, "direct acting" means that with a signal input of 0 V, the valve is open.

Direct acting	Reverse acting	Stroke
Input DC 0...10 V DC 4...20 mA 0...1000 Ω	Input DC 0...10 V DC 4...20 mA 0...1000 Ω	



The mechanical spring-return function is not affected by the direction of operation selected.

Stroke limit control and sequence control

SKB62UA

Setting the stroke limit control	Setting the sequence control
<p>The rotary switches LO and UP can be used to apply a lower and upper limit to the stroke in increments of 3%, up to a maximum of 45%.</p>	<p>The rotary switches LO and UP can be used to determine the start point or the operating range of a sequence.</p>

Position of LO	Lower stroke limit	Position of UP	Upper stroke limit	Position of LO	Sequence control start point	Position of UP	Sequence control operating range
0	0 %	0	100 %	0	0 V	0	10 V
1	3 %	1	97 %	1	1 V	1	10 V *
2	6 %	2	94 %	2	2 V	2	10 V **
3	9 %	3	91 %	3	3 V	3	3 V ***
4	12 %	4	88 %	4	4 V	4	4 V
5	15 %	5	85 %	5	5 V	5	5 V
6	18 %	6	82 %	6	6 V	6	6 V
7	21 %	7	79 %	7	7 V	7	7 V
8	24 %	8	76 %	8	8 V	8	8 V
9	27 %	9	73 %	9	9 V	9	9 V
A	30 %	A	70 %	A	10 V	A	10 V
B	33 %	B	67 %	B	11 V	B	11 V
C	36 %	C	64 %	C	12 V	C	12 V
D	39 %	D	61 %	D	13 V	D	13 V
E	42 %	E	58 %	E	14 V	E	14 V
F	45 %	F	55 %	F	15 V	F	15 V

* Operating range of QAF21.. (see below)

** Operating range of QAF61.. (see below)

*** The smallest adjustment possible is 3 V; control with 0...30 V is only possible via Y.

Stroke control with QAF21.. / QAF61.. signal addition

SKB62UA

Setting the signal addition			
<p>The operating range of the frost protection monitor QAF21.. or QAF61.. can be defined with rotary switches LO and UP.</p>			
Position of LO	Sequence control start point	Position of UP	QAF21.. / QAF61.. operating range
0	→	1	QAF21..
0	→	2	QAF61..

Type summary

Type		Operating voltage	Positioning signal	Spring-return		Positioning time			
				Function	Time	Opening	Closing		
SKB32.50 ¹⁾	-	AC 230 V	3-position	-	-	120 s	120 s		
SKB32.50/F ^{1), 3)}				yes	10 s				
SKB32.51 ¹⁾				-	-				
SKB32.51/F ^{1), 3)}				yes	10 s				
SKB82.50 ¹⁾		AC 24 V	DC 0...10 V 4...20 mA 0...1000 Ω	Modbus RTU	-			-	10 s
SKB82.50U ²⁾					yes			10 s	
SKB82.51 ¹⁾					-			-	
SKB82.51U ²⁾					yes			10 s	
SKB60 ^{1), 4)}	Standard electronics	AC 24 V	Modbus RTU	-	-	10 s			
SKB62 ¹⁾				yes	10 s				
SKB62/F ^{1), 3)}				-	-				
SKB62U ²⁾				yes	10 s				
SKB62UA ^{2), 5)}	Enhanced electronics								
SKB62/MO ²⁾	S55195-A127	Standard electronics							

- 1) Approbation: CE
- 2) Approbation: CE, UL
- 3) Only available in France
- 4) Enhanced functions (from version ..L): Direction of operation, fail-in-place
- 5) Enhanced functions: Direction of operation, stroke control limit, sequence control, signal addition

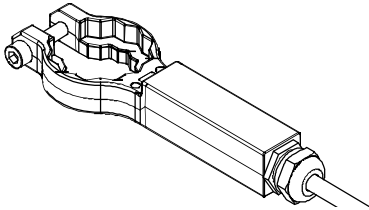
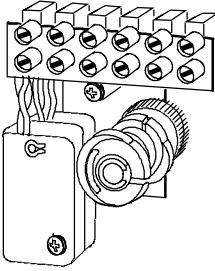
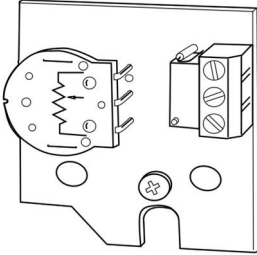
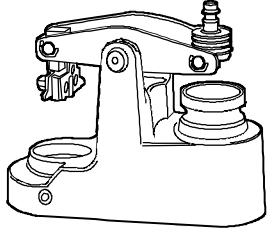
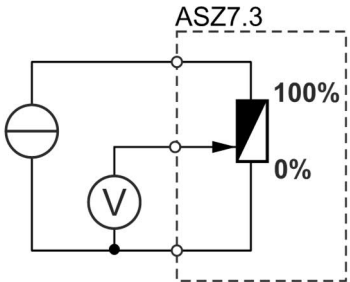
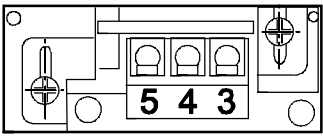
Scope of delivery

The actuator, valve and accessories are supplied in separate packaging and not assembled prior to delivery.

Accessories / spare parts

Accessories

Type	Auxiliary switch	Double auxiliary switch	Potentiometer 1000 Ω	Stem heater AC 24 V	Mechanical stroke inverter
	ASC1.6	ASC9.3	ASZ7.3	ASZ6.6 (S55845-Z108)	ASK51
	Max. 2				
SKB32..	-	Max.1	Max.1	Max.1	Max.1
SKB82					
SKB6..	Max.1	-	-		

SKB..	ASZ6.6 (S55845-Z108) Stem heater  <ul style="list-style-type: none"> • For media below 0 °C • Mount between valve and actuator 		
SKB32.. SKB82..	ASC9.3 Double auxiliary switch 	ASZ7.3 Potentiometer 	ASK51 Mechanical stroke inverter 
	Adjustable switching points	0...1000 Ω	0% actuator stroke corresponds to 100% valve stroke Mount between valve and actuator
Note: ASZ7.3	<p>For the combination SIMATIC S5/S7 and use of positioning feedback, we recommend actuators with DC 0...9.8 V feedback signals.</p> <p>The signal peaks that occur in the potentiometer ASZ7.3 may result in error messages on Siemens SIMATIC. This is not the case when combined with Siemens HVAC controllers. The reason is that SIMATIC has a higher resolution and faster response time.</p> <p>Use the potentiometer as voltage divider on the 3-wire connection. Powering the potentiometer over the wiper may shorten the life cycle of the potentiometer. Signal peaks increase in frequency and scope over the lifespan in this operating mode.</p> 		
SKB60 SKB62..	ASC1.6 Auxiliary switch  <p>Switching point 0...5% stroke</p>		

For more information, see Technical data [→ 19]

Ordering (example)

Type / Stock number ¹⁾	Designation	Number of pieces
SKB62/MO / S55195-A127	Actuator Modbus RTU	1
ASC1.6	Auxiliary switch	1

¹⁾ Specify stock number if available.

Spare parts

Actuator	Cover	Hand control ¹⁾	Clamp	Stem connection	Control unit
					
SKB32.50, SKB32.50/F	410455280	426855108	410355768	417856498	-
SKB32.51, SKB32.51/F					
SKB82.50					
SKB82.50U					
SKB82.51					
SKB82.51U					
SKB60			410355768		
SKB62, SKB62/F			410355768		
SKB62U			410356058		
SKB62UA			410355768		
SKB62/MO			410355768		
					466857598
					466857488
					466857518
					466857488

¹⁾ Hand control, blue with mechanical parts

Equipment combinations

2-port valves VV.. (control or safety shut-off valves)

Valve type		DN	PN class	k_{vs} [m ³ /h]	Data sheet		
VVF21.. ¹⁾	Flanged	25...80	6	1.9...100	N4310		
VVF22..				2.5...100	N4401		
VVF31.. ¹⁾				15...80	10	1.6...100	N4320
VVF32..						1.9...100	N4402
VVF40.. ¹⁾		50	16	1.9...100	N4330		
VVF41.. ¹⁾				19...31	N4340		
VVF45..		15...80	25	1.6...100	N4345		
VVF42..				0.16...25	N4403		
VVF52.. ¹⁾		15...50	40	0.16...40	N4373		
VVF53..				0.19...31	N4405		
VVF61..		15...50	16	0.2...36	N4382		
VVF63..		15...50	16	0.63...40	A6V11459527		
VVG41..		Threaded	15...50	16	0.63...40	N4363	

Admissible differential pressures Δp_{max} and closing pressures Δp_s : cf. relevant valve data sheets

¹⁾ Valves are no longer available

3-port valves VX.. (control valves for “mixing” and “distribution”)

Valve type		DN	PN class	k_{vs} [m ³ /h]	Data sheet
VXF21.. ¹⁾	Flansch	25...80	6	1.9...100	N4410
VXF22..				2.5...100	N4401
VXF31.. ¹⁾				15...80	10
VXF32..		1.9...100	N4402		
VXF40.. ¹⁾		15...50	16	1.9...31	N4430
VXF41.. ¹⁾				1.6...100	N4403
VXF42..		15...50	25	1.6...40	N4405
VXF53..				1.9...31	N4482
VXF61..				0.2...36	A6V11459527
VXF63..		Gewinde	16	1.6...40	N4463
VXG41..					

Admissible differential pressures Δp_{max} and closing pressures Δp_s : cf. relevant valve data sheets

¹⁾ Valves are no longer available



Third-party valves with strokes between 6...20 mm can be motorized, provided they are “closed with the de-energized” fail-safe mechanism and provided that the necessary mechanical coupling is available. For SKB32.. and SKB82.. the Y1 signal must be routed via an additional, freely adjustable end switch (ASC9.3) to limit the stroke.

We recommend that you contact your local Siemens office for the necessary information.

Product documentation

SKB..			Accessories	Mounting instructions	
Mounting instructions SKB../SKC..	M3240	74 319 0324 0	ASC1.6	G4563.3	4 319 5544 0
		74 319 0326 0	ASC9.3	G4561.3	4 319 5545 0
(Setting instructions Standard electronics)			ASK51	M4561.6	4 319 5550 0
		A5W00027551	ASZ7.3		74 319 0247 0
(Mounting instructions Modbus converter)			ACT control unit	M4568	74 319 0554 0
		A6V12057657	QAF21..		74 319 0399 0
(Communication profiles Modbus)			ASZ6.6	M4501.1	74 319 0750 0


Related documents such as environmental declarations, CE declarations, etc., can be downloaded at the following Internet address:


<http://siemens.com/bt/download>

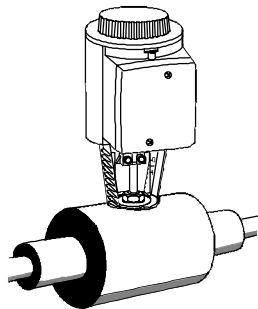
Safety

	⚠ CAUTION
	<p>National safety regulations</p> <p>Failure to comply with national safety regulations may result in personal injury and property damage.</p> <ul style="list-style-type: none"> • Observe national provisions and comply with the appropriate safety regulations.
	⚠ WARNING
	<p>Tensioned spring return</p> <p>Opening the actuator housing can release the highly tensioned return spring, which can cause flying parts and injuries.</p> <ul style="list-style-type: none"> • Do not open the actuator housing.
	⚠ WARNING
	<p>Risk of injury through broken housing or cover</p> <p>Dismounting the actuator with broken housing from the valve can release the highly tensioned spring return, which can cause flying parts and injury.</p> <ul style="list-style-type: none"> • NEVER dismount actuator from valve. • Dismount valve-actuator combination (control device) as complete unit. • Disassembly only by qualified personnel. • Send the control device along with an error report to the local Siemens office for analysis and disposal. • Mount new control device (valve and actuator) properly.
	⚠ WARNING
	<p>Risk of burns from hot actuator brackets</p> <p>The actuator brackets on heating plants can also become hot from the contact with the hot valve during operation. The temperature of the actuator bracket can reach 100 °C.</p> <p>When servicing the actuator:</p> <ul style="list-style-type: none"> • Switch off both pump and operating voltage. • Close the main shutoff valve in the piping. • Release pressure in the pipes and allow them to cool off completely.

Conduct the electrical connections in accordance with local regulations on electrical installations as well as the section Connection diagrams [→ 26].

	<p>NOTE</p>
	<p>Using a safety limiter Failure to comply with applicable regulations for cable insulation may result in the suspension of the safety limiter function.</p> <ul style="list-style-type: none"> • Compliance with all applicable regulations for cable insulation must be ensured by the plant operator.

	<p>▲ WARNING</p>
	<p>Risk of injury and fire from hot device parts For media below 0 °C, the stem heater ASZ6.6 keeps the valve stem ice-free. In this case, the actuator bracket and the valve stem must not be insulated in order to ensure air circulation. Touching heated parts without safety measures leads to burns.</p> <ul style="list-style-type: none"> • For safety reasons, the steam heater is operated with AC 24 V / 30 W. • Recommendation: For media above 140 °C, the valve must be insulated.



Observe admissible temperatures, see Use [→ 2] and Technical data [→ 19].

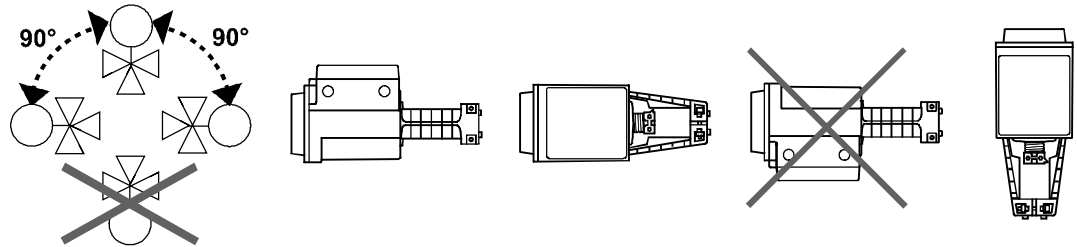
If an auxiliary switch is used, its switching point should be indicated on the plant schematic.

Every actuator must be driven by a dedicated controller, see Connection diagrams [→ 26].

Mounting

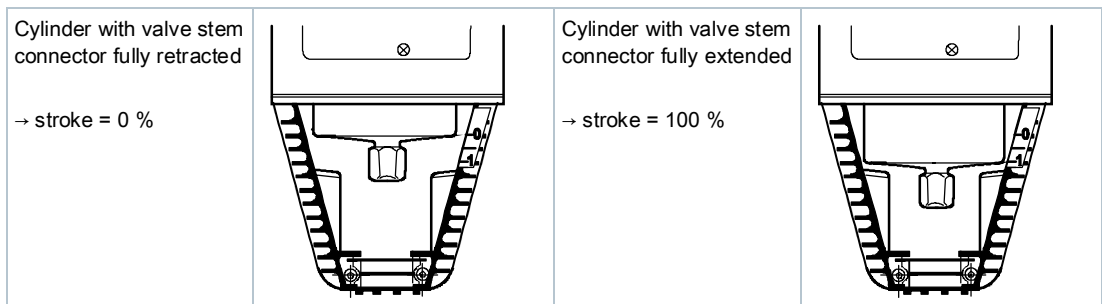
Mounting Instructions 74 319 0324 0 for fitting the actuator to the valve and A5W00027551 for SKB62/MO are enclosed in the actuator packaging. The instructions for accessories are enclosed with the accessories themselves (see Product documentation [→ 13]).

Mounting positions



Commissioning

When commissioning the system, check the wiring and functions, and set any auxiliary switches and potentiometers as necessary, or check the existing settings.



The manual adjuster must be rotated counter-clockwise to the end stop. This causes the Siemens valves, types VVF.. und VXF.. to close (stroke = 0 %).

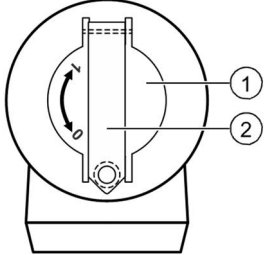
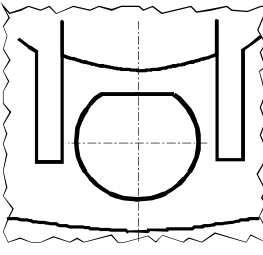
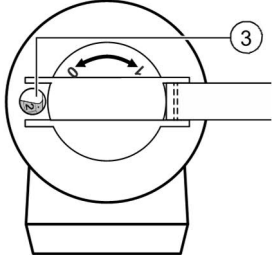
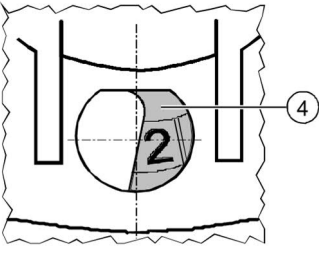
Operation

Automatic operation

For automatic operation, the crank [2] on the manual adjustment knob [1] must be engaged. If not engaged, turn the crank counter-clockwise until the display window [3] shows neither the scale [4] nor the crank engagement bar.

Manual operation


For manual operation, swing out the crank [2] so that the display window [3] becomes visible. By rotating the crank or the manual adjustment knob [1], the display window shows the engagement bar and/or the scale dial [4] with stroke indication.


	
<p>Engaged crank [2] on the manual adjustment knob [1]</p>	<p>Display window with invisible scale dial and crank engagement bar</p>
	
<p>Swung-out crank; display window [3]</p>	<p>Display window with scale dial [4] and stroke indication in mm</p>

Maintenance

The actuators are maintenance-free.

When **servicing** the control device:

	<p>▲ WARNING</p> <p>Risk of burns from hot actuator brackets</p> <p>The actuator brackets on heating plants can also become hot from the contact with the hot valve during operation. The temperature of the actuator bracket can reach 100 °C.</p> <p>When servicing the actuator:</p> <ul style="list-style-type: none"> • Switch off both pump and operating voltage. • Close the main shutoff valve in the piping. • Release pressure in the pipes and allow them to cool off completely.
---	--

	<p>▲ WARNING</p> <p>Risk of injury</p> <ul style="list-style-type: none"> • Disconnect electrical connections from the terminals as needed. • The actuator must be properly installed prior to recommissioning the valve.
---	---



Recommendation SKB6.:
Trigger stroke calibration after maintenance.

Repair:

See Spare parts [→ 12]

	⚠ WARNING
	<p>Risk of injury through broken housing or cover</p> <p>Dismounting the actuator with broken housing from the valve can release the highly tensioned spring return, which can cause flying parts and injury.</p> <ul style="list-style-type: none">• NEVER dismount actuator from valve.• Dismount valve-actuator combination (control device) as complete unit.• Disassembly only by qualified personnel.• Send the control device along with an error report to the local Siemens office for analysis and disposal.• Mount new control device (valve and actuator) properly.

Disposal


	⚠ WARNING
	<p>Tensioned spring return</p> <p>Opening the actuator housing can release the highly tensioned return spring, which can cause flying parts and injuries.</p> <ul style="list-style-type: none">• Do not open the actuator housing.

	<p>The device is considered an electronic device for disposal in accordance with the European Guidelines and may not be disposed of as domestic garbage.</p> <ul style="list-style-type: none">• Dispose of the device through channels provided for this purpose.• Comply with all local and currently applicable laws and regulations.
--	---

Warranty

Technical data on specific applications are valid only together with Siemens products listed under "Equipment combinations". Siemens rejects any and all warranties in the event that third-party products are used.

Power supply		
Operating voltage		
	SKB32..	AC 230 V ± 15 %
	SKB82..	AC 24 V ± 20 % (SELV/PELV)
	SKB6..	
	SKB62/MO	
Frequency		50 / 60 Hz
Maximum power consumption at 50 Hz		
	SKB32.50, SKB32.50/F	10 VA / 8 W
	SKB32.51, SKB32.51/F	16 VA / 12 W
	SKB82.50, SKB82.50U	8 VA / 7 W
	SKB82.51, SKB82.51U	12 VA / 9 W
	SKB60..	10 VA / 8 W
	SKB62..	14 VA / 10 W
External supply cable fuse		
	SKB32..	Min. 0.5 A, slow Max. 6 A slow
	SKB82..	Min. 1 A, slow
	SKB6..	Max. 10 A slow

Function data			
Positioning time at 50 Hz ¹⁾			
	SKB32.5..	Opening, closing	120 s
	SKB82.5..	Opening, closing	120 s
	SK6..	Opening	120 s
		Closing	10 s
Spring-return time ¹⁾			10 s
Positioning force			2800 N
Nominal stroke			20 mm
Maximum permissible medium temperature (valve fitted)			-25...220 °C
			 < 0 °C: Requires stem heater ASZ6.6

Signal inputs / signal outputs			
Control signal			
	SKB32..	3-position	
	SKB82..		
	SKB6..	DC 0...10 V	
		DC 4...20 mA	
		0...1000 Ω	
Positioning signal Y SK6..			
	Input impedance	DC 0...10 V	100 kΩ
		DC 4...20 mA	240 Ω
	Signal resolution		< 1 %
	Hysteresis		1 %

Signal inputs / signal outputs			
Override control Z SK6..			
	Resistor		0...1000 Ω
	Z not connected, priority terminal Y		No function
	Z connected directly to G		Max. stroke 100 %
	Z connected directly to G0		Min. stroke 0 %
	Z connected to M via 0...1000 Ω		Stroke proportional to R
Position feedback U SK6..			
	Load impedance	DC 0...9.8 V	> 10 kΩ
		DC 4...19.6 mA	< 500 Ω

Enhanced functions SKB60 ²⁾ , SKB62UA			
Selection of direction of operation			
	SKB60, SKB62UA	Direct-acting / reverse-acting	DC 0...10 V / DC 10...0 V
			DC 4...20 mA / DC 20...4 mA
			0...1000 Ω / 1000...0 Ω
Stroke limit control			
	SKB62UA	Range of lower limit	0...45 % adjustable
		Range of upper limit	100...55% adjustable
Sequence control			
	SKB62UA	Terminal Y	
		Starting point of sequence	0...15 V adjustable
		Operating range of sequence	3...15 V adjustable
Signal addition			
	SKB62UA	Z connected to R of	
		Frost protection monitor QAF21..	0...1000 Ω, added to Y signal
		Frost protection monitor QAF61..	DC 1.6 V, added to Y signal

Communication SKB62/MO			
Communication protocol			
	Modbus RTU		RS-485, not galvanically isolated
	Number of nodes		Max. 32
	Adress range		1...248 / 255
		Factory setting	255
	Transmission formats		1-8-E-1 / 1-8-O-1 / 1-8-N-1 / 1-8-N-2
		Factory setting	1-8-E-1
	Baud rates (kBaud)		Auto / 9.6 / 19.2 / 38.4 / 57.6 / 76.8 / 115.2
		Factory setting	Auto
	Bus termination		120 Ω electronically switchable
		Factory setting	Off

Electrical connections and connecting cable		
Wire cross-sectional area		0.5...2.5 mm ² , AWG 21...14 ³⁾
Cable entries		4 x M20 (∅ 20.5 mm)
	SKB..U	With knockouts for standard ½" conduit connectors (∅ 21.5 mm)
	SKB62/MO	Fixed connection cable
	Cable length	0.9 m
	Number of cores	5 x 0.75 mm ²

Degree and class of protection		
Protection class		As per EN 60730
	Automatic action	Type 1AA / Type 1AC / Modulation Action
	Pollution degree	2
Housing protection upright to sideways		IP 54 as per EN 60529

Environmental conditions		
Operation		IEC 60721-3-3
	Climatic conditions	
	Temperature, general	-15...<55 °C
	Humidity (non-condensing)	5...95 % r.h.
Transportation		IEC 60721-3-2
	Climatic conditions	
	Temperature	-30...65 °C
	Humidity (non-condensing)	5...95 % r.h.
Storage		IEC 60721-3-1
	Climatic conditions	
	Temperature	-15...55 °C
	Humidity (non-condensing)	-5...95 % r.h.

Directives and standards		
Product standard		EN 60730-x
Electromagnetic compatibility (Applications)		For use in residential, commercial, and industrial environments
EU conformity (CE)		A5W00007751 ⁴⁾
RCM conformity		A5W00007895 ⁴⁾
EAC conformity		Eurasia conformity for all SKB..
UL, cUL	AC 230 V	-
	AC 24 V	UL 873 http://ul.com/database

Environmental compatibility
The product environmental declarations CE1E4564enX1 (SKB3.., SKB8..) ⁴⁾ , CE1E4564enX2 (SKB6..) ⁴⁾ and A6V101083254 (external Modbus converter) ⁴⁾ contain data on RoHS compliance, materials composition, packaging, environmental benefit and disposal.

Dimensions / weight		
Dimensions		See Dimensions [→ 30]
Weight		
	SKB32.50, SKB32.50/F	9.15 kg
	SKB32.51, SKB32.51/F	9.20 kg
	SKB82.50	9.15 kg
	SKB82.50U	9.45 kg
	SKB82.51	9.20 kg
	SKB82.51U	9.50 kg
	SKB60 SKB62, SKB62/MO	9.20 kg
	External Modbus converter	0.15 kg
	SKB62U SKB62UA	9.50 kg
	Stroke inverter ASK51	1.0 kg

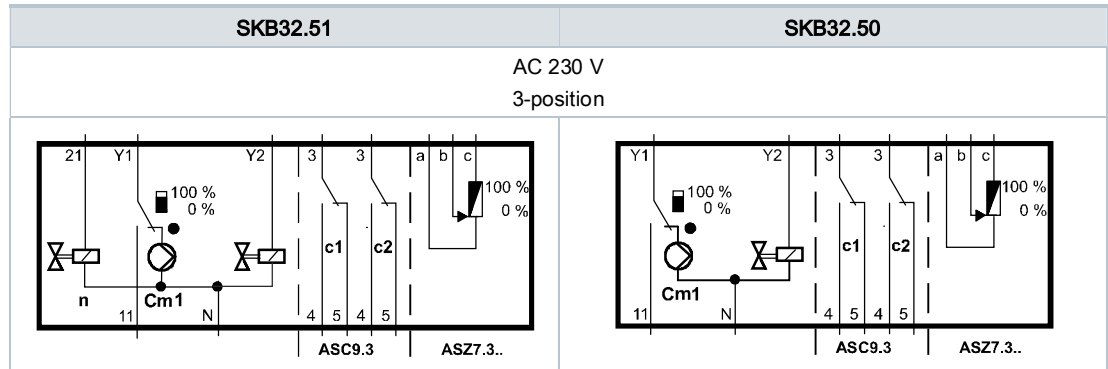
Materials	
Housing	Die-cast aluminium
Bracket	
Housing box	Plastic
Manual adjuster	

Accessories		
Auxiliary switch ASC1.6		
SKB6..	Switching capacity	AC 24 V, 10 mA....4 A resistive, 2 A inductive
Double auxiliary switch ASC9.3		
SKB32.., SKB82..	Switching capacity per auxiliary switch	AC 250 V, 6 A resistive, 2,5 A inductive
Potentiometer ASZ7.3		
SKB32.., SKB82..	Change in overall resistance of potentiometer at nominal stroke	0...1000 Ω
Stem heater ASZ6.6		
	Operating voltage	AC 24 V ± 20 %
	Power consumption	40 VA / 30 W
	Inrush current	Max. 8.5 A (Max. temperature 85 °C / 185 °F)

- 1) At room temperature (23 °C); low ambient temperatures or high Δp may prolong these times
- 2) From version ..L onward
- 3) AWG = American wire gauge
- 4) The documents can be downloaded at <http://www.siemens.com/bt/download>

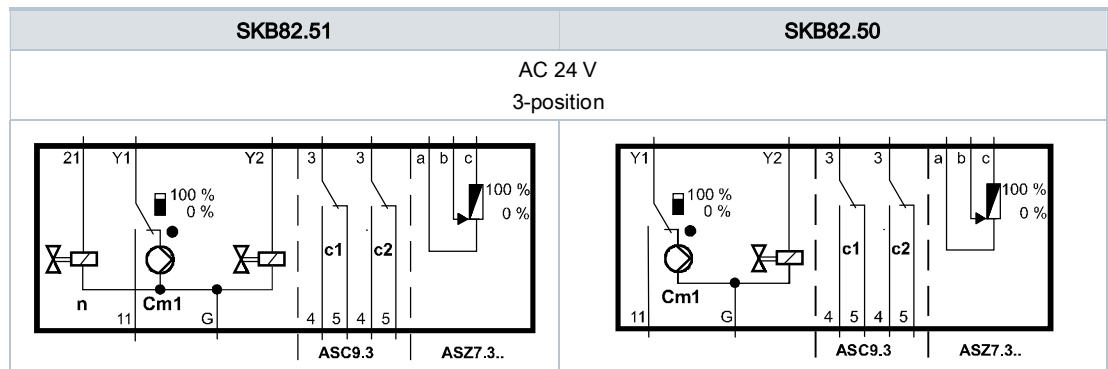
Internal diagrams

SKB32..



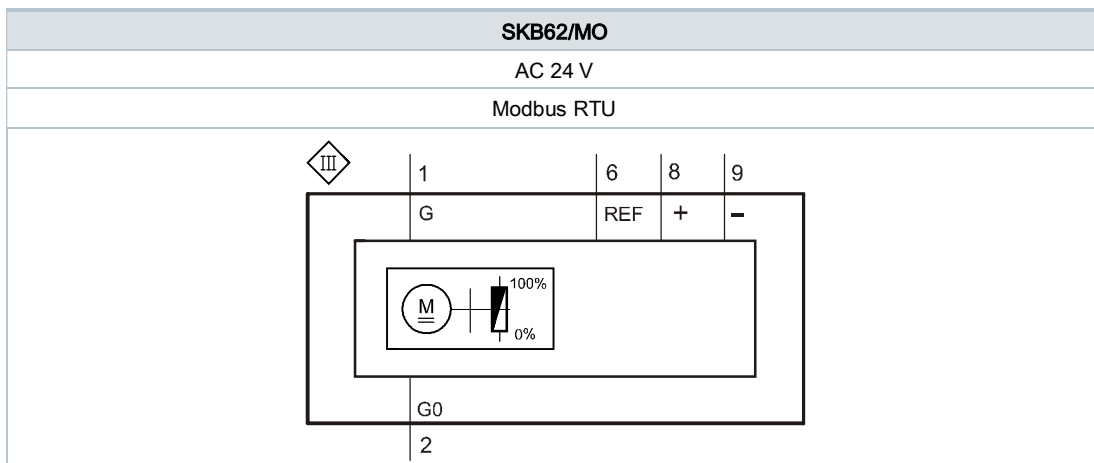
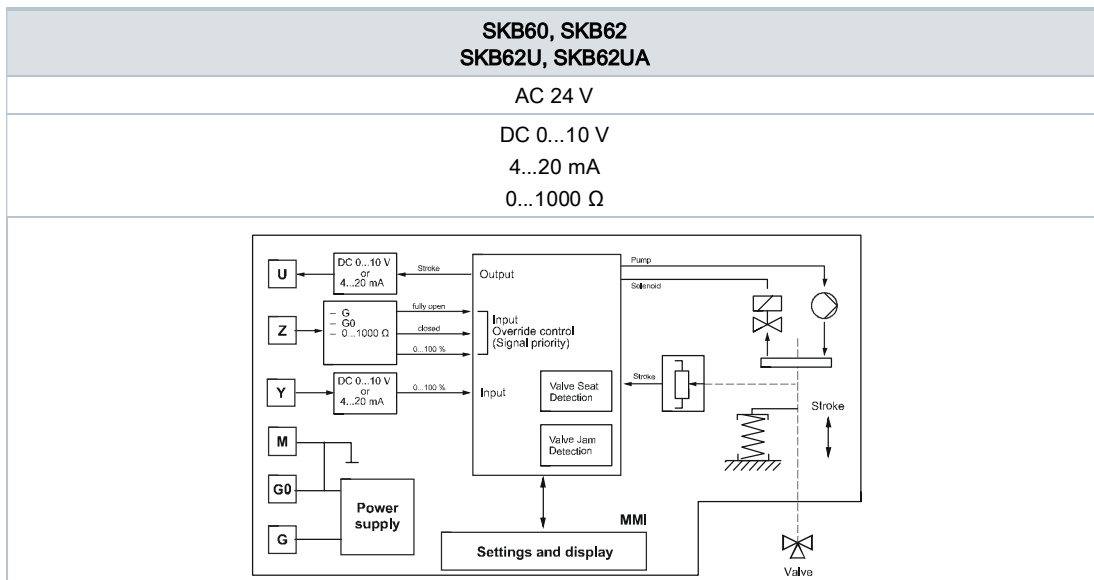
Cm1	End switch
n	Solenoid valve for spring-return
c1, c2	ASC9.3 double auxiliary switch
a, b, c	ASZ7.3 potentionmeter
Y1	Positioning signal „open“
Y2	Positioning signal „close“
21	Spring-return function
N	Neutral conductor

SKB82..



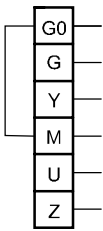
Cm1	End switch
n	Solenoid valve for spring-return
c1, c2	ASC9.3 double auxiliary switch
a, b, c	ASZ7.3 potentionmeter
Y1	Positioning signal „open“
Y2	Positioning signal „close“
21	Spring-return function
G	System potential

SKB6..

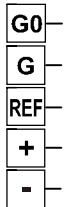


U	Position indication	REF	Reference line (Modbus RTU)
Z	Override control	+	Bus + (Modbus RTU)
Y	Positioning signal	-	Bus - (Modbus RTU)
M	Measuring neutral		
	G0	Operating voltage AC 24 V: System neutral (SN)	
	G	Operating voltage AC 24 V: System potential (SP) Switching without power as a spring-return function	

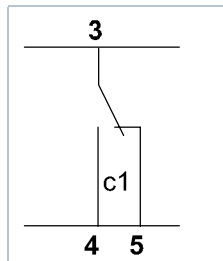
SKB6..

	AC 24 V	DC 0...10 V 4...20 mA 0...1000 Ω
	G0	System neutral (SN)
	G	System potential (SP)
	Y	Positioning signal DC 0...10 (30) V or DC 4...20 mA
	M	Measuring neutral (= G0)
	U	Position indication DC 0...10 V oder DC 4...20 mA
	Z	Override control (Functions [→ 8])

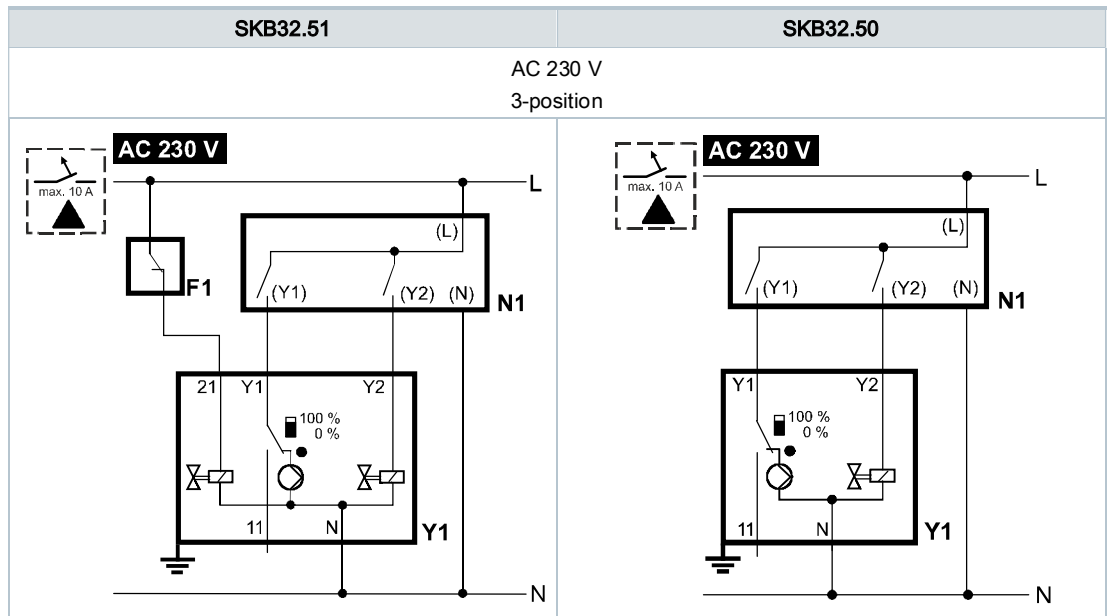
SKB62/MO

	AC 24 V	Modbus RTU Connection cable
	G0	System neutral (SN)
	G	System potential (SP)
	REF	Reference line (Modbus RTU)
	+	Bus + (Modbus RTU)
	-	Bus - (Modbus RTU)
		Black
		Red
		Violet
		Gray
		Pink

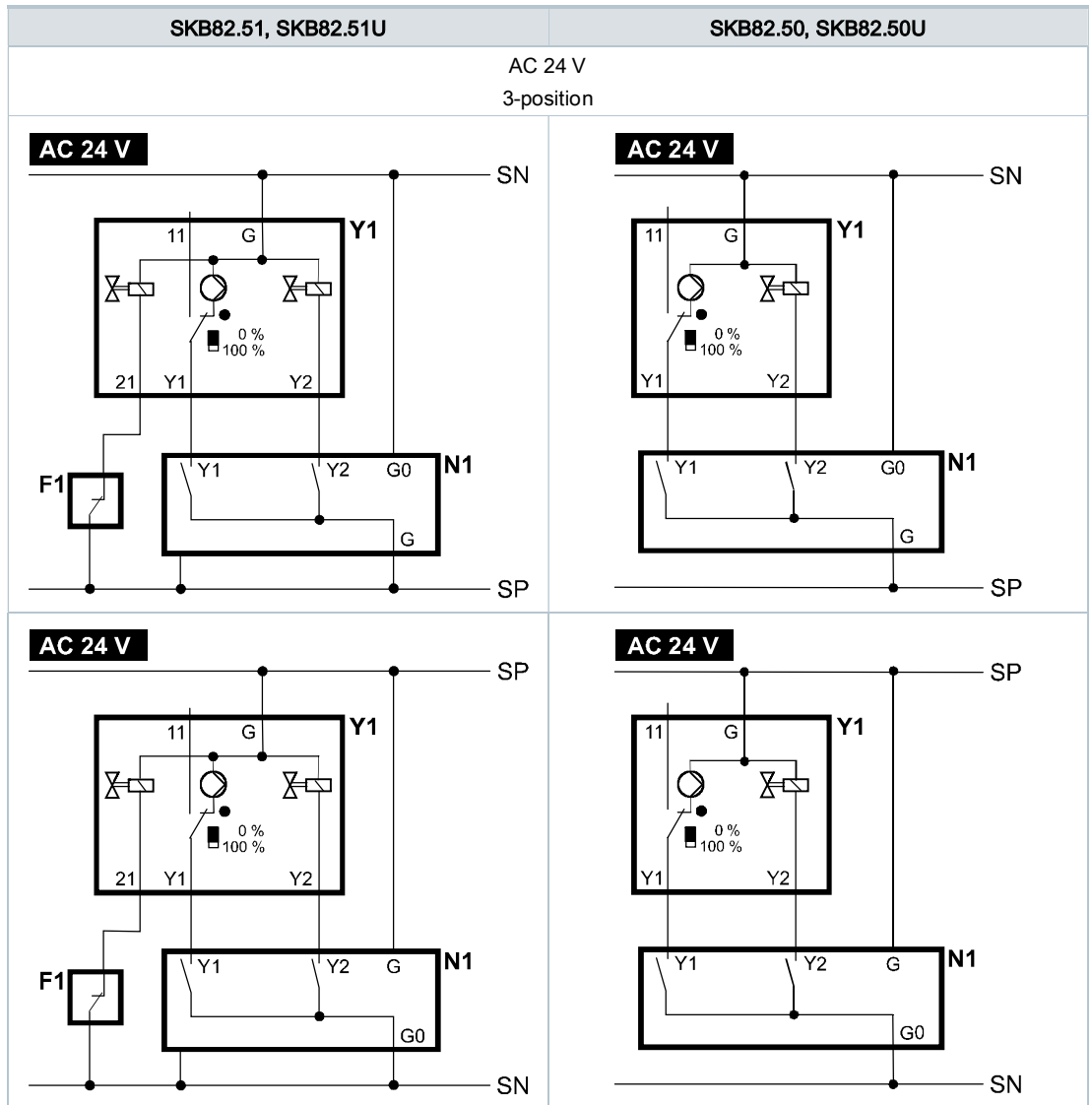
Auxiliary switch ASC1.6



SKB32..

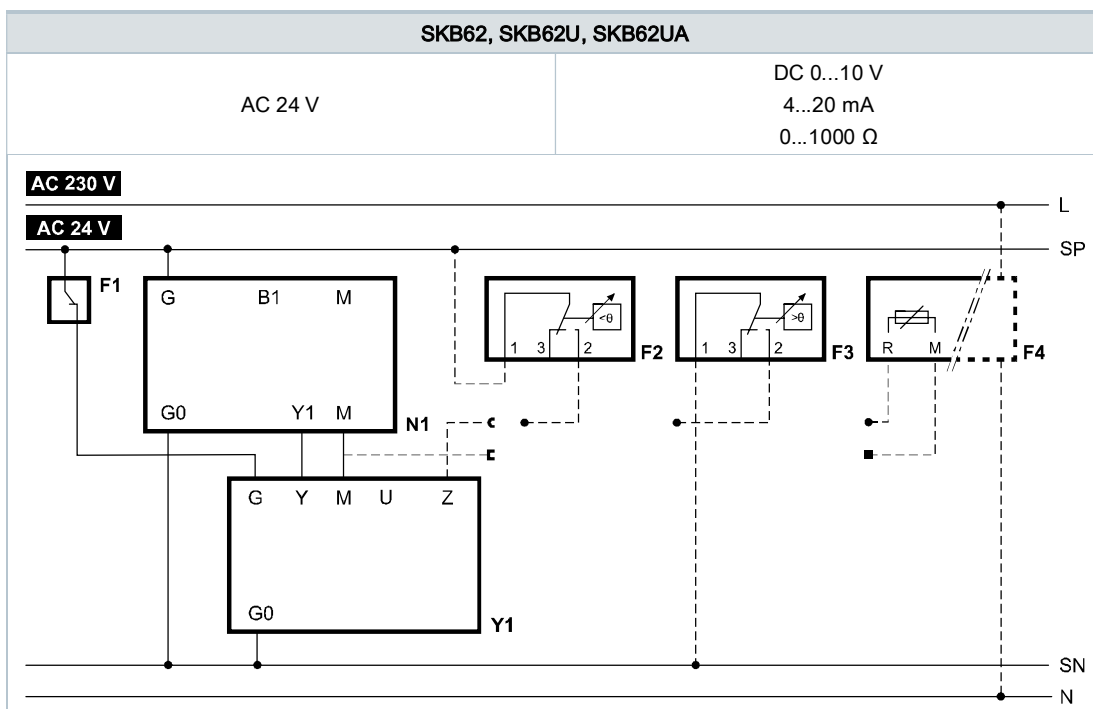
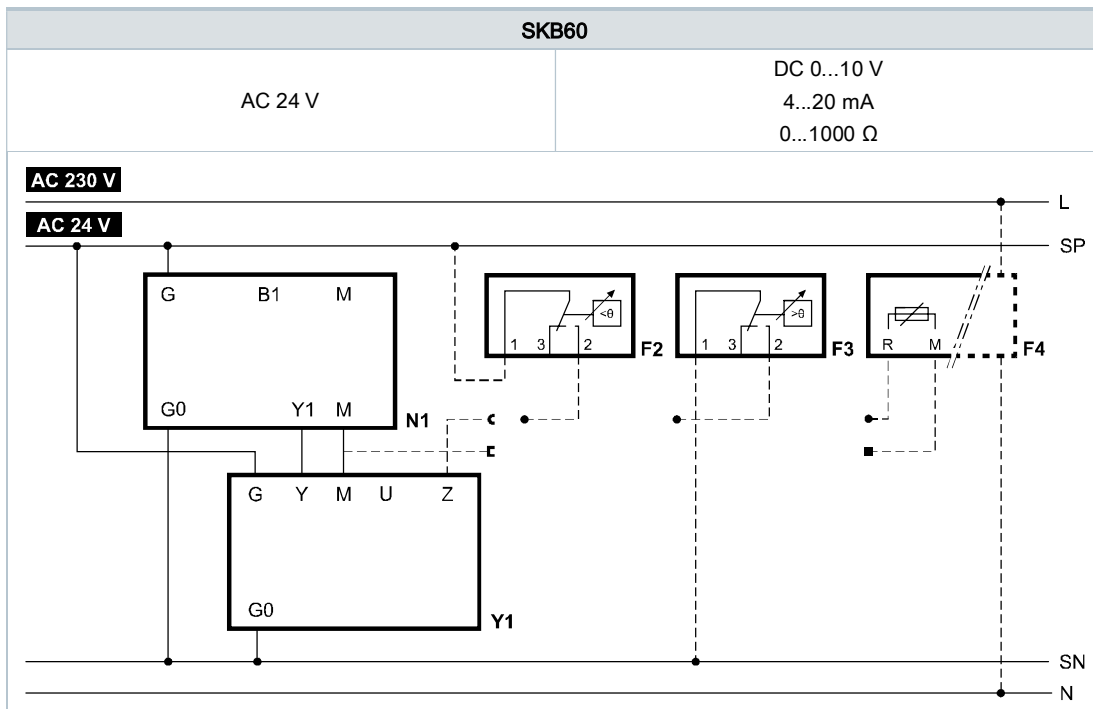


F1	Safety limiter (e.g. temperature limiter)			Y1	Positioning signal „open“
N1, N2	Controller	L	Phase	Y2	Positioning signal „close“
Y1, Y2	Actuators	N	Neutral	21	Spring-return function



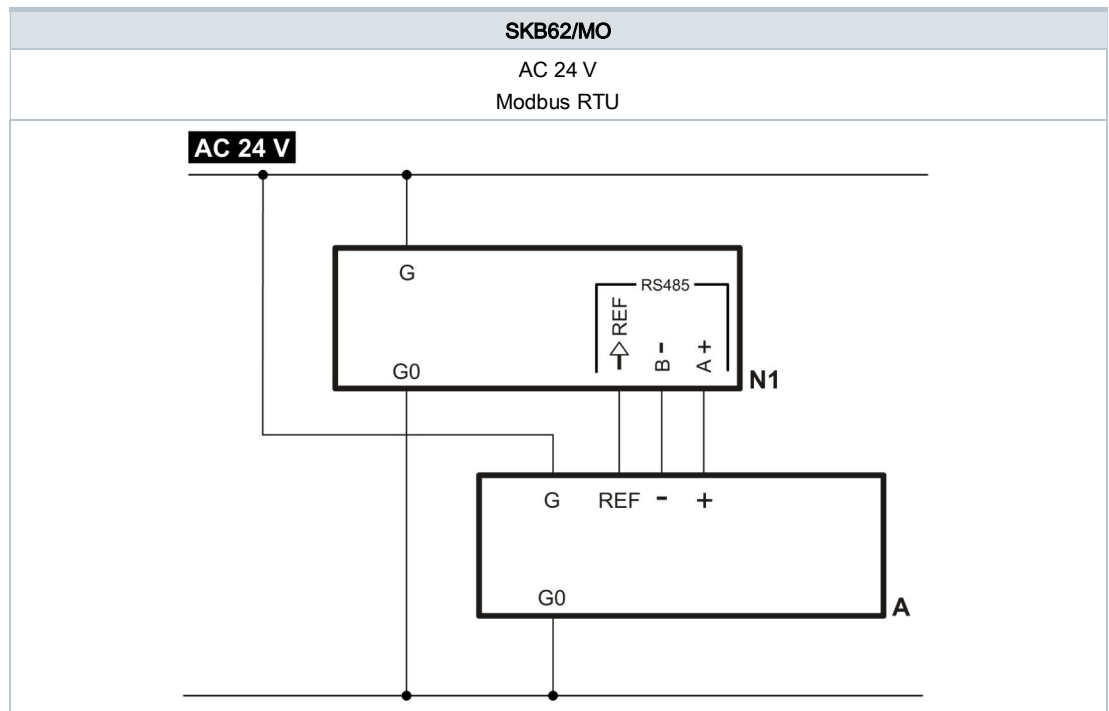
F1	Safety limiter (e.g. temperature limiter)			(Y1), (Y2)	Controller contacts
		SP	System potential AC 24 V	Y1	Positioning signal „open“
N1, N2	Controller	SN	System neutral	Y2	Positioning signal „close“
Y1, Y2	Actuators			21	Spring-return function

SKB6..



Y1	Actuator	F3	Temperature detector	
N1	Controller	F4	Frost protection monitor with 0... 1000 Ω signal output, e.g. QAF21.. or QAF61.. (only SKB62UA) *)	
F1	Safety limiter (e.g. temperature limiter)	G (SP)	System potential AC 24 V	
F2	Frost protection thermostat	G0 (SN)	System neutral	
				Terminals: 1-2
			1-3	Normal operation

*) Only SKB62UA: only with sequence control and the appropriate selector switch settings, see Electronics [→ 5], Functions [→ 6]



A	Actuator
N1	Controller
G	System potential
G0	System neutral
REF	Reference line (Modbus RTU)
+	Bus + (Modbus RTU)
-	Bus - (Modbus RTU)



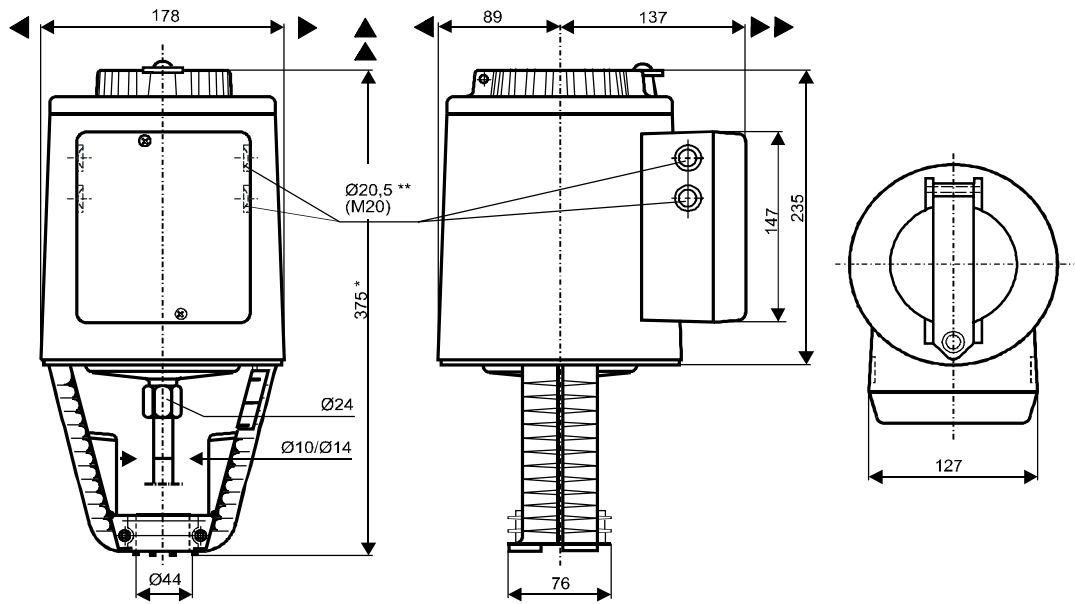
NOTE

Using safety limiter F1

When using the safety limiter F1, ensure that no mistakes may occur on cable insulation that may cancel out the temperature limiter function (applies to both 230 V as well as 24 V types).

- For SN earthing (e.g. PELV) comply under all circumstances with the note above.

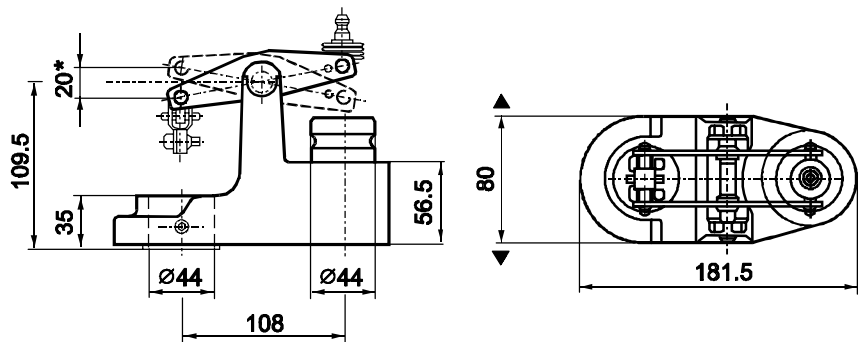
Actuator



All dimensions in mm

*	Height of actuator from plate with stroke inverter ASK51 = 432 mm
**	SKB..U: with knockouts for standard ½" conduit connectors (Ø 21.5 mm)
▶	> 100 mm, minimum clearance form ceiling or wall for mounting
▶▶	> 200 mm, connection, operation, maintenance, etc.

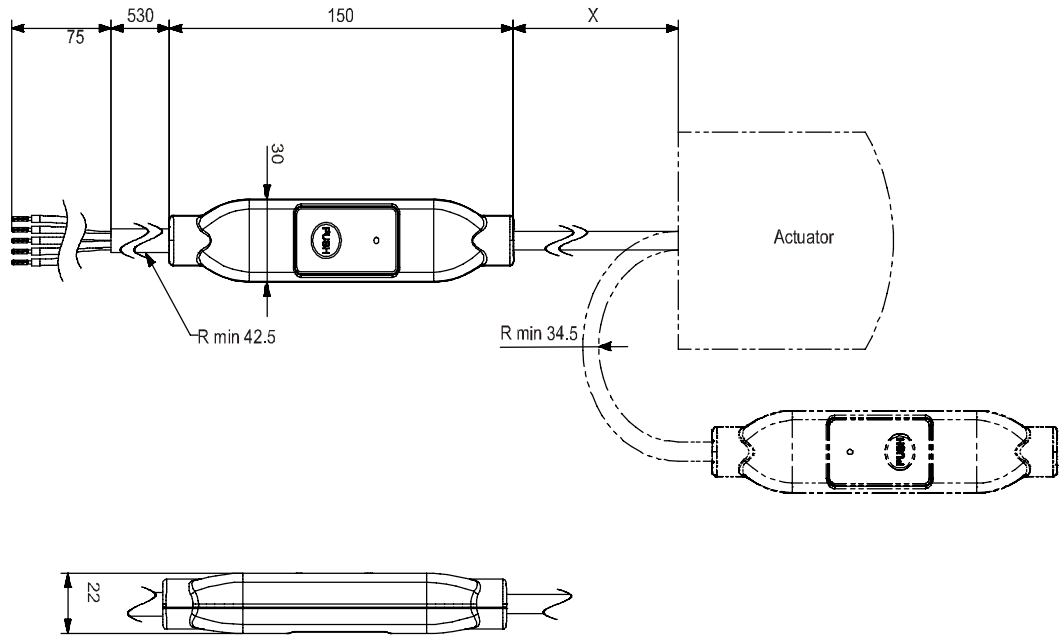
Stroke inverter ASK51



All dimensions in mm

*	Maximum stroke = 20 mm
---	------------------------

External Modbus converter



All dimensions in mm

X	250 mm
---	--------

Revision numbers

Type	Valid from rev. no.	Type	Valid from rev. no.
SKB32.50	..D	SKB62	..G
SKB32.50/F	..D	SKB62/F	..G
SKB32.51	..D	SKB62U	..G
SKB32.51/F	..D	SKB60	..G
SKB82.50	..D	SKB62UA	..G
SKB82.50U	..D	SKB62/MO	..H
SKB82.51	..D		
SKB82.51U	..D		

Issued by
Siemens Switzerland Ltd
Smart Infrastructure
Global Headquarters
Theilerstrasse 1a
CH-6300 Zug
Tel. +41 58 724 2424
www.siemens.com/buildingtechnologies

© Siemens Switzerland Ltd, 1998
Technical specifications and availability subject to change without notice.