



VGD20...



VGD40.../VGD41...

Double gas valves

VGD2...
VGD4...

- Class A double gas valve for integration into gas trains
- Safety shutoff valves conforming to EN 161 in connection with SKPx5... actuators
- Suited for use with gases of gas families I...III
- Double gas valves in connection with SKPx5s open slowly and close rapidly
- 2-port valves of the normally closed type
- Sizes 1" ... DN 150
- The double gas valve must be equipped with 2 actuators
- Supplementary Data Sheets on actuators: See *Mechanical design*
- Models for the USA on request

The VGD2.../VGD4... and this Data Sheet are intended for use by OEMs which integrate the double gas valves in their products!

Use

The VGDs are primarily suitable ...

- On gas-fired combustion plant
- In gas trains in connection with forced draft gas burners

The VGD is used as:

- Shutoff valves (in connection with SKP15... actuators)
- Control valves with shutoff feature (in connection with SKP25..., SKP55... or SKP75... actuators)

All VGDs can be combined with any type of SKPx5.

Supplementary documentation

Product type	Product name	Type of documentation	Documentation number
AGA40.40	Pilot gas connecting plate	Mounting Instructions	74 319 0244 0
AGA40.41	Pressure switch connecting plate	Mounting Instructions	74 319 0244 0
AGA66	Gasket set	Mounting Instructions	74 319 0421 0
AGA92	Service replacement set	Mounting Instructions	A5W00002883A
QPLx5	Gas pressure switch	Data sheet	N7221
SKPx5	Actuator	Data sheet	N7643

Warning notes



To avoid injury to persons, damage to property or the environment, the following warning notes must be observed!

It is not permitted to open, interfere with or modify the double gas valves!

Any opening of the valve, replacement of parts or modifications to the original product is the user's responsibility and is done at his own risk.

- All activities (mounting, installation and service work, etc.) must be carried out by qualified staff
- Any double gas valves that experience a fall or shock must not be put into operation, as this can adversely affect the safety functions even if they do not exhibit any external signs of damage
- In combination with the valve proving system from other manufacturers, the suitability must be checked individually for the plant
- Unsuitable gases or gas components lead to a loss of the safety shutoff function
- It must not be possible for foreign bodies/particles to enter the VGD, as this could have an adverse effect on the safety shutoff function
- Gases with a concentration of >0.1% in the case of H₂S and NH₃ are not permitted, nor is condensation. If this is not observed, the safety functions may be impaired

Mounting notes

- Ensure that the relevant national safety regulations are complied with
- The SKPx5 can be mounted or replaced while the gas valve is under pressure

Also observe the following Mounting Instructions:

Product type	Product name	Mounting Instructions	
AGA40.40	Pressure switch connecting plate	M7631.2	74 319 0244 0
AGA40.41	Pilot gas connecting plate	M7631.2	74 319 0244 0
AGA66	Gasket set	M7643.2	74 319 0421 0
AGF10	Flange	M7631/M7646	74 319 0865 0
QPLx5	Gas pressure switch	M7221	74 319 0551 0
VGD	Double gas valve	M7631/M7636	4 319 2072 0
VGD2		M7631	4 319 2343 0
VGD20		M7631.5	A5W00002883
VGD4 for DN40...150		M7631.2	74 319 0244 0

- For SKP25: Impulse pipe (pressure feedback) on VGD possible
- For SKP75: The impulse pipe (pressure feedback) must be connected to the gas pipe, downstream from the VGD, observing a distance of at least 3...5 x the diameter of the supply pipe

Gasket/tightness

- Check to make certain that the bolts of the AGF10 are properly tightened and afterwards check to ensure that the gas valve is tight when all components are connected
- The O-rings or flange gaskets must be fitted between the AGF10 and the VGD
- Recommendation in the case of exposure to external moisture: Set of gaskets AGA66 (IP65 kit)

Mounting position

The permissible mounting position of the SKPx5 used must be observed (refer to Data Sheet N7643).

Direction of flow

The gas must flow in the same direction as the arrow on the VGD.

Function

The VGD is normally closed and opens when the SKPx5 opens. It is recommended to install an SKPx5.xx1xx to register the CLOSED position of the VGD.

VGD20... (not for VGD20.xxxxY)

- Mount the electrohydraulic SKP15 on the inlet side and the SKPx5 with integrated controller (SKP25, SKP55 or SKP75) preferably on the outlet side of the VGD
- When mounting the VGD in the gas piping, 2 AGF10s are required
- When replacing a VGD20 on existing AGF10s, new O-rings must be mounted
- When replacing a VGD20 on existing AGA41 / AGA51 flanges (old flange series), new O-rings and longer screws (M8 x 35) must be mounted (AGA92)
- To prevent cuttings from falling into the VGD, first mount the AGF10 on the pipes. Then clean the parts before installing the VGD20



Applied directives:

- Gas Appliances Regulation (EU)

EU/2016/426



Note!

VGD20 / VGD4 only in connection with SKPx5, refer to data sheet N7643.

Compliance with the regulations of the applied directives is verified by the adherence to the following standards / regulations:

- Safety and control devices for burners and appliances burning gaseous and/or liquid fuels – General requirements DIN EN 13611

The relevant valid edition of the standards can be found in the declaration of conformity!



EAC Conformity mark (Eurasian Conformity mark)





ISO 9001:2015
ISO 14001:2015
OHSAS 18001:2007



China RoHS
Hazardous substances table:
<http://www.siemens.com/download?A6V10883536>

Standards and certificates (cont'd)

Approvals in
combination with the
SKPx5

Type		
VGD20.403	●	●
VGD20.503	●	●
VGD20.2511	●	---
VGD20.3211	●	---
VGD20.4011	●	---
VGD20.4011A **)	●	---
VGD20.4011Y	●	---
VGD20.5011	●	---
VGD20.5011A **)	●	---
VGD20.5011Y	●	---
VGD40.040	●	●
VGD40.050	●	●
VGD40.065	●	●
VGD40.080	●	●
VGD40.100	●	●
VGD40.125	●	●
VGD40.150	●	●
VGD40.040L	●	---
VGD40.050L	●	---
VGD40.065L	●	---
VGD40.065J	●	---
VGD40.080L	●	---
VGD40.080J	●	---
VGD40.100L	●	---
VGD40.125L	●	---
VGD40.150L	●	---
VGD41.040	●	---
VGD41.050	●	---
VGD41.065	●	---
VGD41.080	●	---
VGD41.100	●	---
VGD41.125	●	---
VGD41.150	●	---

**) Not yet available

Life cycle

The combination double gas valve and actuator have a designed lifetime* of

Nominal sizes	Burner startup cycles
≤25 DN	200.000
25...80 DN	100.000
80...150 DN	50.000

under use of gases to EN 437 (or DVGW specification G260).

This lifetime is based on the endurance tests in the standard EN 161.
A summary of the conditions has been published by the European Control Manufacturers Association (Afecor) (www.afecor.org).

The designed lifetime is based on use of the double gas valve and actuator according to the manufacturer's data sheet. After reaching the designed lifetime in terms of the number of burner startup cycles, or after the corresponding usage time, the double gas valve and actuator must be checked and/or replaced by authorized personnel.

The criteria set out in EN 161 are applicable when testing the tightness.
This test can be omitted if a valve proving system is in place.

* The designed lifetime is not the warranty time specified in the Terms of Delivery.

The use in gases beyond the scope of EN 437 / G260, such as G262, can result in a limited lifetime.

Service notes

- Each time a gas valve has been replaced, check to ensure that the VGD operates correctly and that it is tight both internally and externally
- The double gas valves supplied by Siemens may **only** be repaired by Siemens Repair Centers



Caution!

The QPLx5 also has to be replaced when replacing a valve.

It is recommended to replace the QPLx5 after over 50,000 cycles or a service life of 10 years due to the designed lifetime for gas pressure switches according to AFECOR. It is not recommended to reinstall these, even if the seals on the valve have been replaced.

Disposal notes

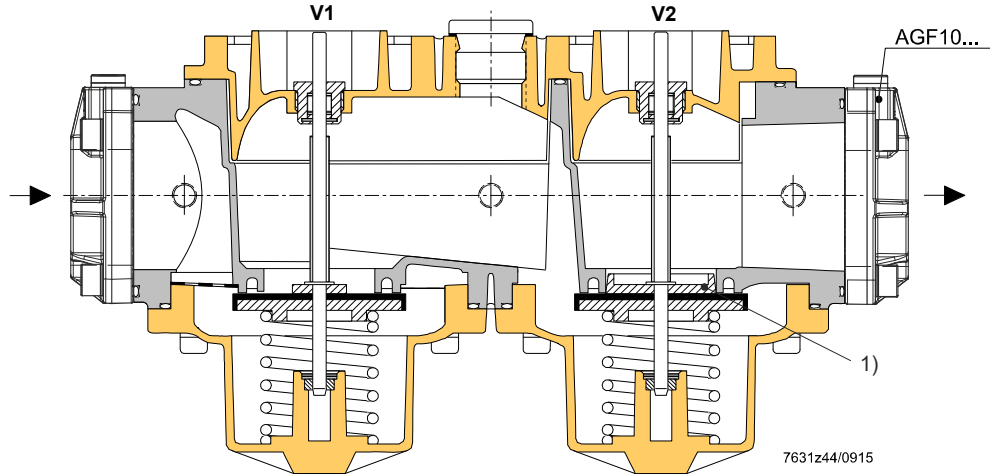
Local and currently valid legislation must be observed.

Mechanical design

Strainer A strainer made of stainless steel is fitted in the inlet and protects the VGD, seat, and disc – as well as downstream devices – against dirt.

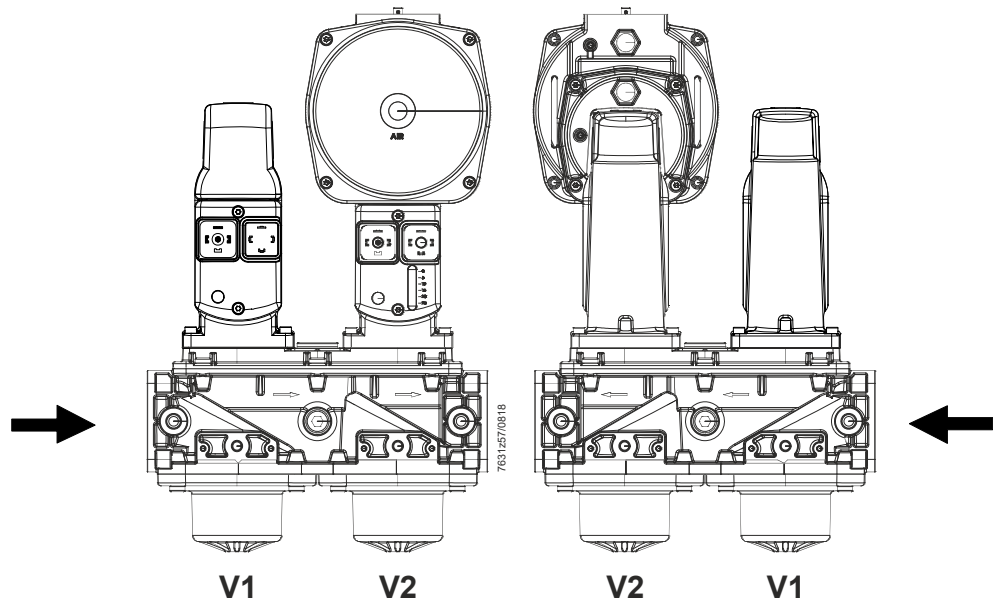
AGF10 to VGD2 The AGF10s have an 1/8" sealing plug. They are internally threaded and supplied as separate items together with the necessary accessories, such as bolts, nuts, and gaskets. All of the connection thread dimensions for the AGF10 can be optionally fitted to a VGD2. Each VGD2 requires 2 AGF10s.

VGD2... Sectional view of VGD2...



1) Profile not required with VGD20.xxxxY

Application example VGD2... with SKP15... (mounted on V1) and SKP75... (mounted on V2)
Shown without AGF10



Mechanical design (cont'd)

VGD4...

The VGD4s are double-seat poppet valves. The 1/4" impulse connection on the AGA40.40 for valve V1, or the impulse connection on the VGD outlet flange for valve **V1** or **V2**, can be connected to the impulse connection of the mounted constant pressure governor SKP25.

Closing springs

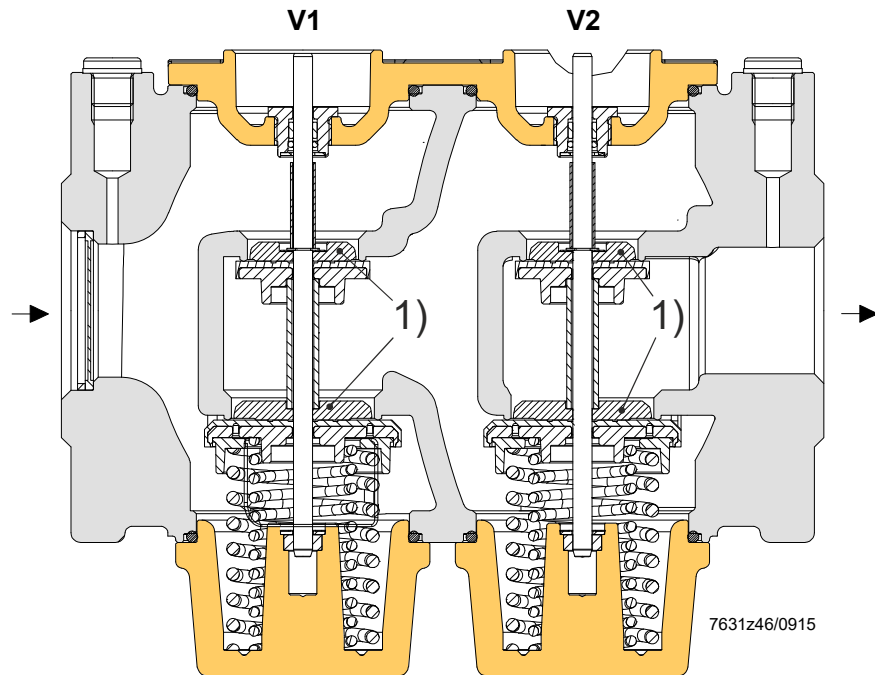
Each double seat uses one pair of springs. The spring forces act separately as closing forces on the individual valve seats.

AGA40.41

The AGA40.41 ① facilitates the attachment of a number of commercially available pressure switches or valve proving devices. The AGA40.40 ② and AGA40.41 can be fitted on either side of the valve.

VGD40...

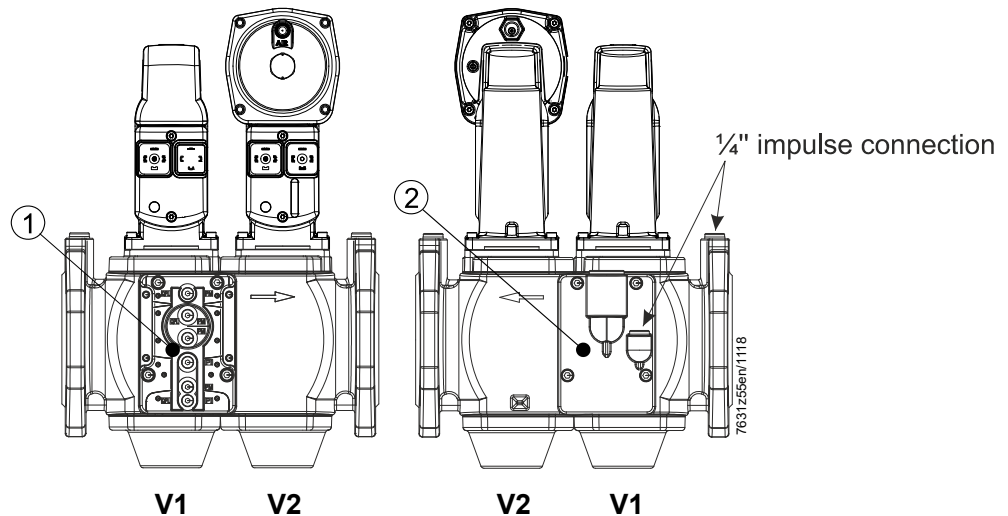
Sectional view of VGD40...



1) Profile not required with VGD41.xxxxY

Application example

VGD40.080 with SKP15... (mounted on valve **V1**) and SKP25... (mounted on valve **V2**).



SKPx5

The VGDs can be combined with the following SKPx5s:

Product no.	Data Sheet	Function
SKP15...	N7643	ON/OFF
SKP25...	N7643	ON/OFF with constant pressure control/zero pressure control
SKP25.7... with SQS37...	N7643	ON/OFF with pressure control, predefined setpoint adjustable via electrical signal
SKP55...	N7643	ON/OFF with differential pressure control, signal input → differential pressure
SKP75...	N7643	ON/OFF with fuel / air ratio control, signal input → static pressure

Type summary (other types of valves on request)

VGD2...

Nominal size	Flow rate at $\Delta p = 1 \text{ kPa m}^3/\text{h air}$	With 3 internally threaded connections		With 11 internally threaded connections		With 11 internally threaded connections Without valve seat profiling (V2) for faster gas permeability	
		Article no.	Type	Article no.	Type	Article no.	Type
1"	25	---	---	S55590-G103-A100	VGD20.2511	---	---
1 ¼"	46	---	---	S55590-G101-A100	VGD20.3211	---	---
1 ½"	85	BPZ:VGD20.403	VGD20.403	BPZ:VGD20.4011	VGD20.4011	BPZ:VGD20.4011Y	VGD20.4011Y
1 ½"	85	---	---	BPZ:VGD20.4011A *)	VGD20.4011A *)	---	---
2"	100	BPZ:VGD20.503	VGD20.503	BPZ:VGD20.5011	VGD20.5011	BPZ:VGD20.5011Y	VGD20.5011Y
2"	100	---	---	BPZ:VGD20.5011A *)	VGD20.5011A *)	---	---

*) Not yet available

VGD4...

DN	Flow rate at $\Delta p = 1 \text{ kPa m}^3/\text{h air}$					VGD40.xxxL with inverted position of mounting plates (see <i>Dimensions</i>)		VGD41.xxx with AGA40.41 on both sides, refer to <i>Dimensions</i> VGD41.xxx without internal valve seat profile for faster gas permeability	
		Article no.	Type	Article no.	Type	Article no.	Type	Article no.	Type
40	85	BPZ:VGD40.040	VGD40.040	---	---	BPZ:VGD40.040L *)	VGD40.040L *)	BPZ:VGD41.040	VGD41.040
50	100	BPZ:VGD40.050	VGD40.050	---	---	BPZ:VGD40.050L	VGD40.050L	BPZ:VGD41.050	VGD41.050
65	160	BPZ:VGD40.065	VGD40.065	BPZ:VGD40.065J	VGD40.065J	BPZ:VGD40.065L	VGD40.065L	BPZ:VGD41.065	VGD41.065
80	250	BPZ:VGD40.080	VGD40.080	BPZ:VGD40.080J	VGD40.080J	BPZ:VGD40.080L	VGD40.080L	BPZ:VGD41.080	VGD41.080
100	400	BPZ:VGD40.100	VGD40.100	---	---	BPZ:VGD40.100L	VGD40.100L	BPZ:VGD41.100	VGD41.100
125	630	BPZ:VGD40.125	VGD40.125	---	---	BPZ:VGD40.125L	VGD40.125L	BPZ:VGD41.125	VGD41.125
150	800	BPZ:VGD40.150	VGD40.150	---	---	BPZ:VGD40.150L	VGD40.150L	BPZ:VGD41.150 *)	VGD41.150 *)

*) On request

When ordering, please quote the product type of the double gas valve.

The actuators, double gas valve, and flanges (VGD2 only) are supplied as single packs.

Example: VGD2...

Double gas valve 2" with 2 flanges and 2 actuators

1 VGD20.503

2 x SKPx5 units

2 AGF10.50

Example: VGD4...

Double gas valve DN80 with 2 actuators

1 VGD40.080

2 x SKPx5 units

The lateral AGA40.4x units (pilot gas connection and pressure switch connection) are already included in the scope of delivery and ready fitted.

Accessories (to be ordered separately)



AGF10... flange

- Flange for VGD2 connection
- Order flanges individually
- Flanges can be combined with the VGD2 as desired

The following flange sizes and flange threads are available:

Flange		Nominal size (RP)	Length in mm
Article no.	Type		
BPZ:AGF10.15	AGF10.15	1/2"	26
BPZ:AGF10.20	AGF10.20	3/4"	26
BPZ:AGF10.25	AGF10.25	1"	26
BPZ:AGF10.32	AGF10.32	1 1/4"	26
BPZ:AGF10.40	AGF10.40	1 1/2"	26
BPZ:AGF10.50	AGF10.50	2"	30



Pilot gas connecting plate for VGD40

AGA40.40

Article no.: **BPZ:AGA40.40**

- Spare part (kit incl. grommet and gaskets)
- Refer to Mounting Instructions M7631.2 (74 319 0244 0)



Pressure switch connecting plate for VGD40

AGA40.41

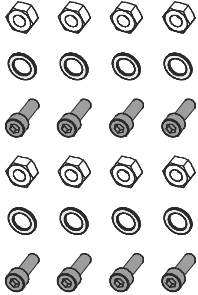
Article no.: **BPZ:AGA40.41**

- Spare part (kit incl. gaskets)
- Refer to Mounting Instructions M7631.2 (74 319 0244 0)

Accessories (to be ordered separately) (Continued)



Double nipple (e.g. connection of QPL25)
Double nipple (1/8" to 1/4") required on-site for mounting the QPL25



Service replacement kit for VGD20

AGA92

Article no. **S55851-Z901-A100**

- Required when replacing the VGD20 and retaining the old flanges AGA41 / AGA51
 - Screw dimensions M8 x 35
 - Consisting of:
 - 8 screws, 8 washer, 8 nuts, 2 O-rings
- See Mounting Instructions A5W00002883A
-



Manually operated

AGA61

Article no. **BPZ:AGA61**



Gasket set for SKPx5

AGA66

Article no. **BPZ:AGA66**

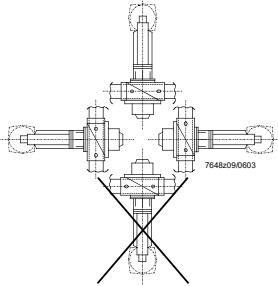
- Between SKPx5 and VGD
 - For improving the degree of protection from IP54 to IP65
 - Refer to Mounting Instructions M7643.2 (74 319 0421 0)
 - Recommended for installation in humid environments
-



QPLx5 pressure switch for the VGD

- For monitoring the gas pressure or air pressure
 - Refer to Data Sheet N7221 and Mounting Instructions M7221 (74 319 0551 0)
-

Technical data

General valve data	Valve class in combination with SKPx5	A conforming to EN 161 (except with SAX31...)	
	Group	2 (EN 161)	
	Perm. medium temperature	-15...60 °C	
	Weight		
	- VGD2...	Approx. 3.2 kg	
	- VGD4...	See <i>Dimensions</i>	
	Connecting flanges for VGD4	PN 16 to ISO 7005-2	
	Required flow rate	See <i>Flow chart</i>	
	Mounting position		
			
		See <i>Mounting notes</i>	
	Operating pressure	See <i>Type summary</i>	
	Permissible gas pressure against the direction of flow		
	• VGD20	15 kPa	
• VGD40	30 kPa		
Types of gas			
• VGD2 / VGD4	Suited for use with gases of gas families I...III and air		
• VGD4	Suitable for gases up to max. 0.1 Vol.-% H ₂ S, dry		
Strainer	Built in (mesh size 0.9 mm)		
Materials	AISI10Mg to DIN 1706		
Environmental conditions	Storage	DIN EN 60721-3-1	
	Climatic conditions	Class 1K3	
	Mechanical conditions	Class 1M2	
	Temperature range	-20...60 °C	
	Humidity	<95% r.h.	
	Transport	DIN EN 60721-3-2	
	Climatic conditions	Class 2K2	
	Mechanical conditions	Class 2M2	
	Temperature range	-15...60 °C	
	Humidity	<95% r.h.	
	Operation	DIN EN 60721-3-3	
	Climatic conditions	Class 3K5	
	Mechanical conditions	Class 3M2	
	Temperature range	-10...60 °C	
	Humidity	<95% r.h.	
	Installation altitude	Max. 2,000 m above sea level	



Warning!

Condensation must not be allowed to form in the valve!

If this is not observed, there is a risk of safety functions being impaired.

Technical data (cont'd)

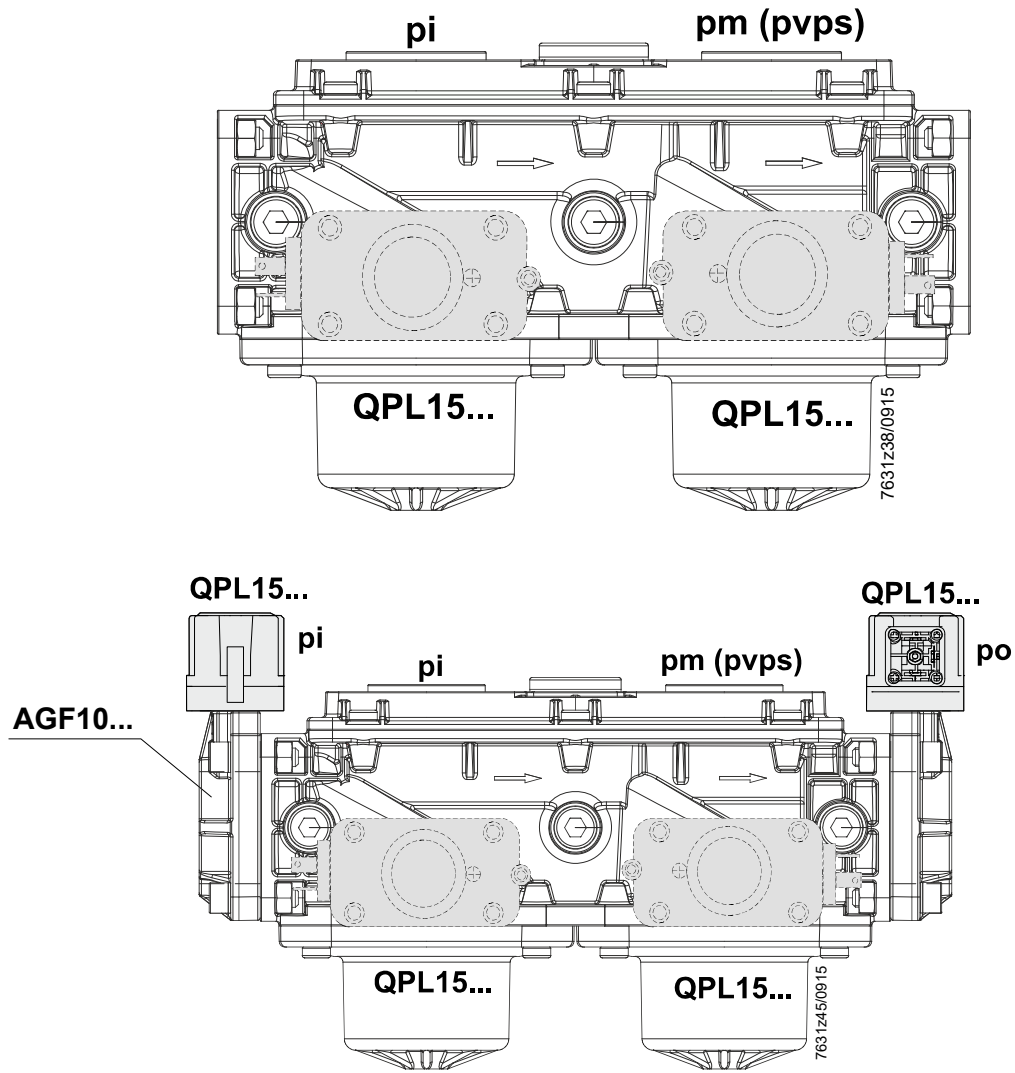
Permissible gas pressures/volumes	Type	Static pressure (permissible inlet pressure with closed VGD) (kPa)	Dynamic pressure (perm. operating pressure) (kPa)	Volume between V1/V2 (liters)
	VGD20.2...	150	150	0,75
	VGD20.3...	150	150	0,75
	VGD20.4...	150	150	0,75
	VGD20.5...	150	150	0,8
	VGD40.040	150	100	0,8
	VGD40.050	150	100	0,8
	VGD40.065	150	70	1,3
	VGD40.065J	150	70	1,3
	VGD40.080	150	70	1,5
	VGD40.080J	150	70	1,5
	VGD40.100	150	70	3
	VGD40.125	150	70	5,2
	VGD40.150	150	70	8,7

VGD40... The VGD40s are designed to withstand gas pressures up to 150 kPa in burner standby mode.
At a pressure of 150 kPa, the VGD40 remains safely closed or will safely close. A pressure shutdown device must be installed on the inlet side.
Proper functioning and outer tightness are not affected.

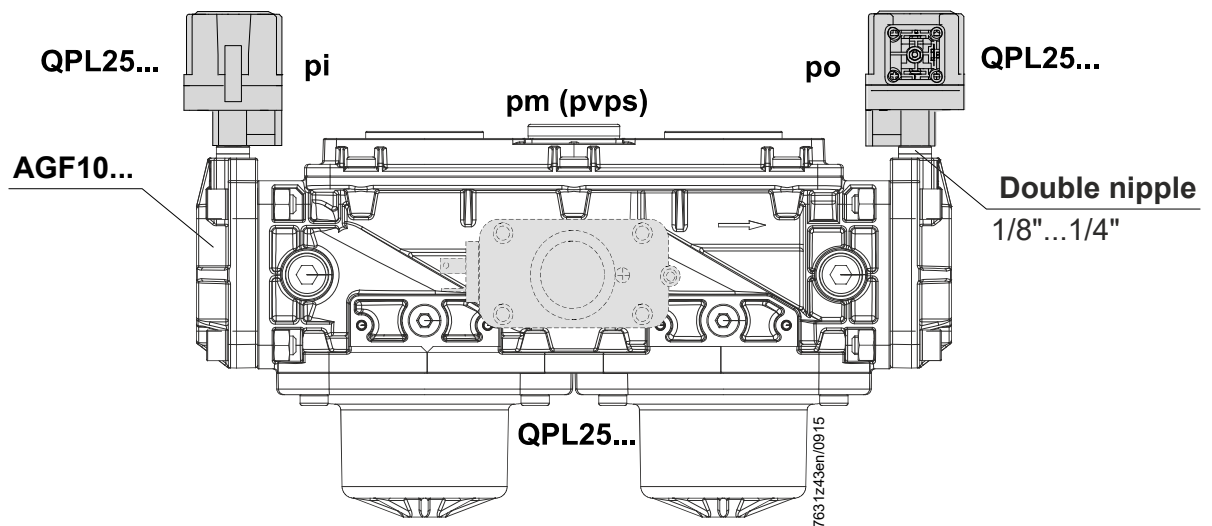
Note: Owing to the internal design of the VGD40, increasing inlet pressure causes the valve to close (class "A" conforming to EN 161). This means that safety shutoff or venting devices that – in addition to the supply pressure regulator – are normally used for protecting the gas valve on the burner (on the gas appliance) are no longer required if the following conditions are satisfied:

- If, in the event the supply pressure regulator upstream of the valve fails, 150 kPa at the inlet of the VGD40 are not exceeded and,
- in the event the permissible operating pressure of the VGD40 is exceeded (DN65...DN150: 70 kPa or DN40...DN50: 100 kPa), a shutoff device (e.g., gas pressure switch) causes the VGD40 to close.

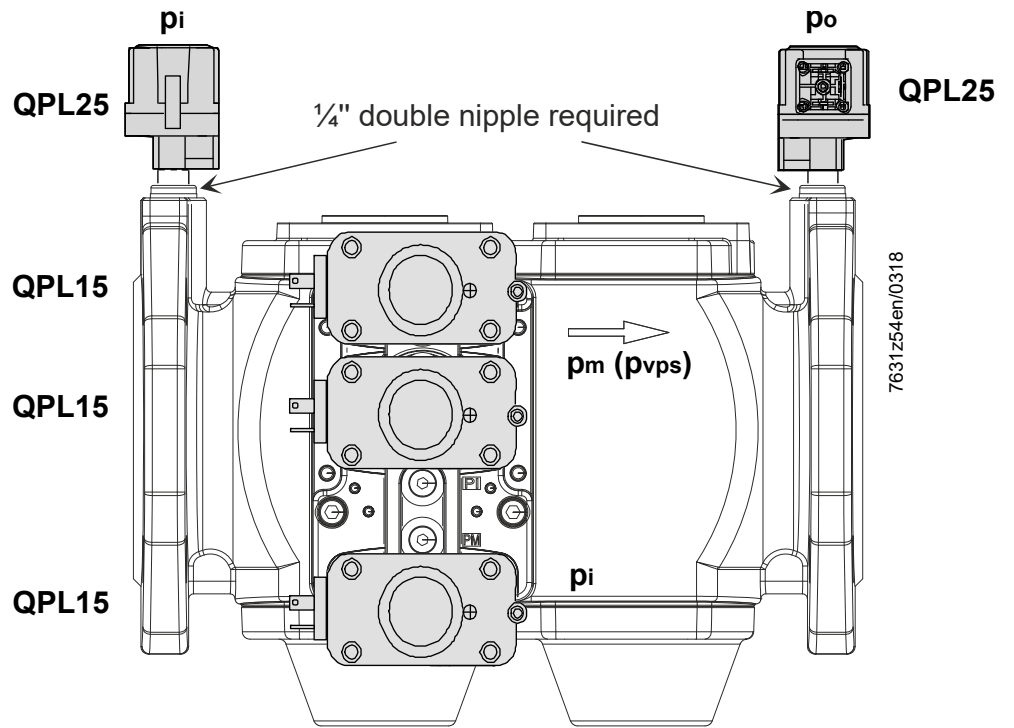
Example: Possibilities of fitting the QPL15 with O-ring to the VGD20.xx11



Example: Possibilities of fitting the QPL25 with nipple to the VGD20.xx3 Rp1/4" ...1/8"

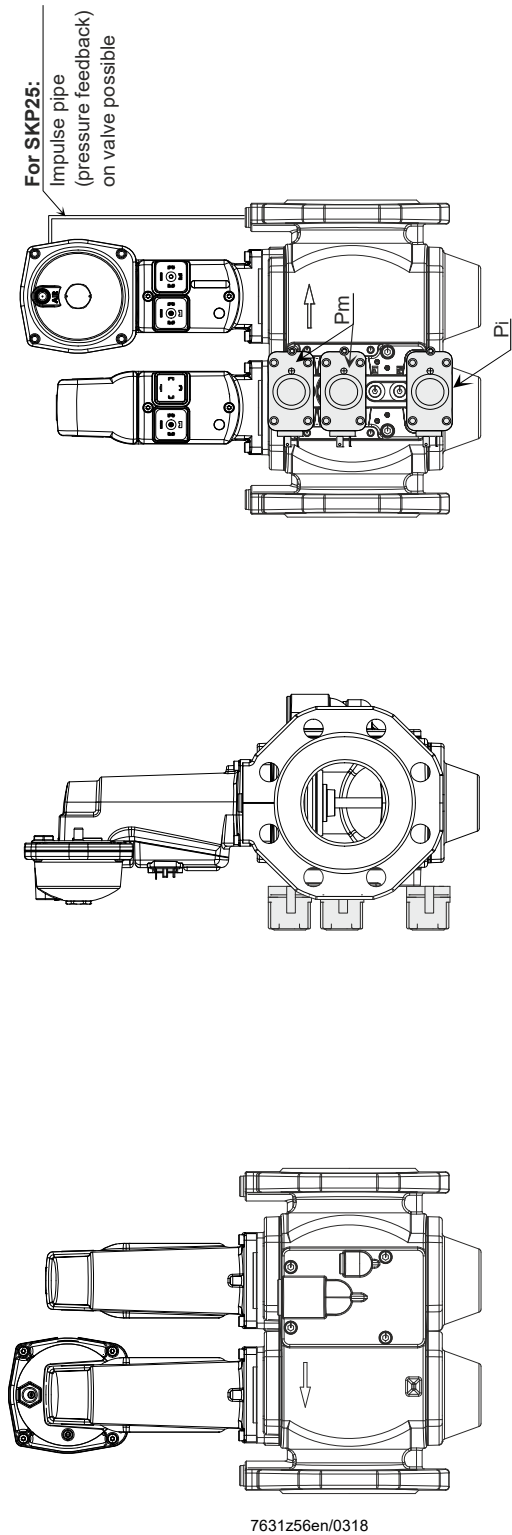


Example: Possibilities of fitting the QPLx5 to the VGD4



Legend

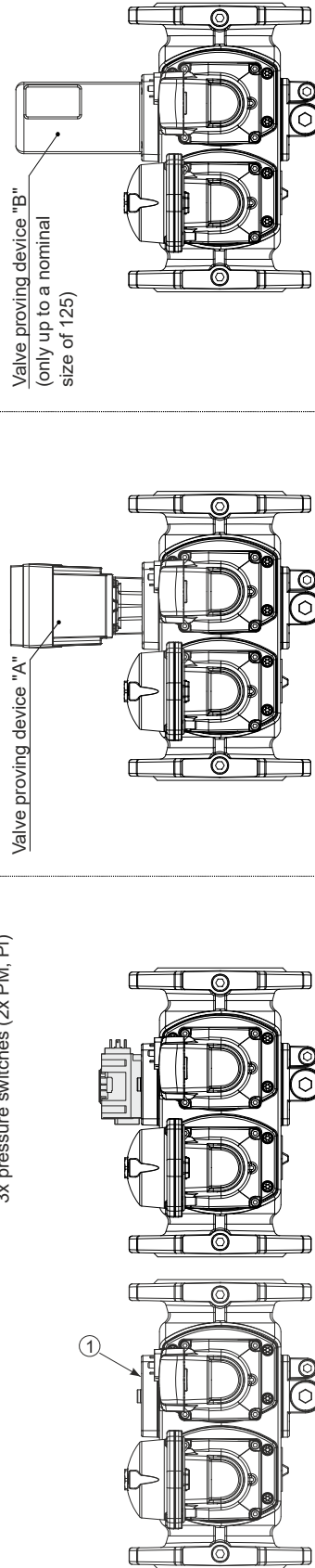
- pi = inlet pressure
- po = outlet pressure
- pm = mid-chamber pressure
- pvps = valve proving check



Attachment options (the use of various valve proving systems must be checked for the relevant plant)

Example (not binding):
 Valve proving device "A"
 Valve proving device "A"

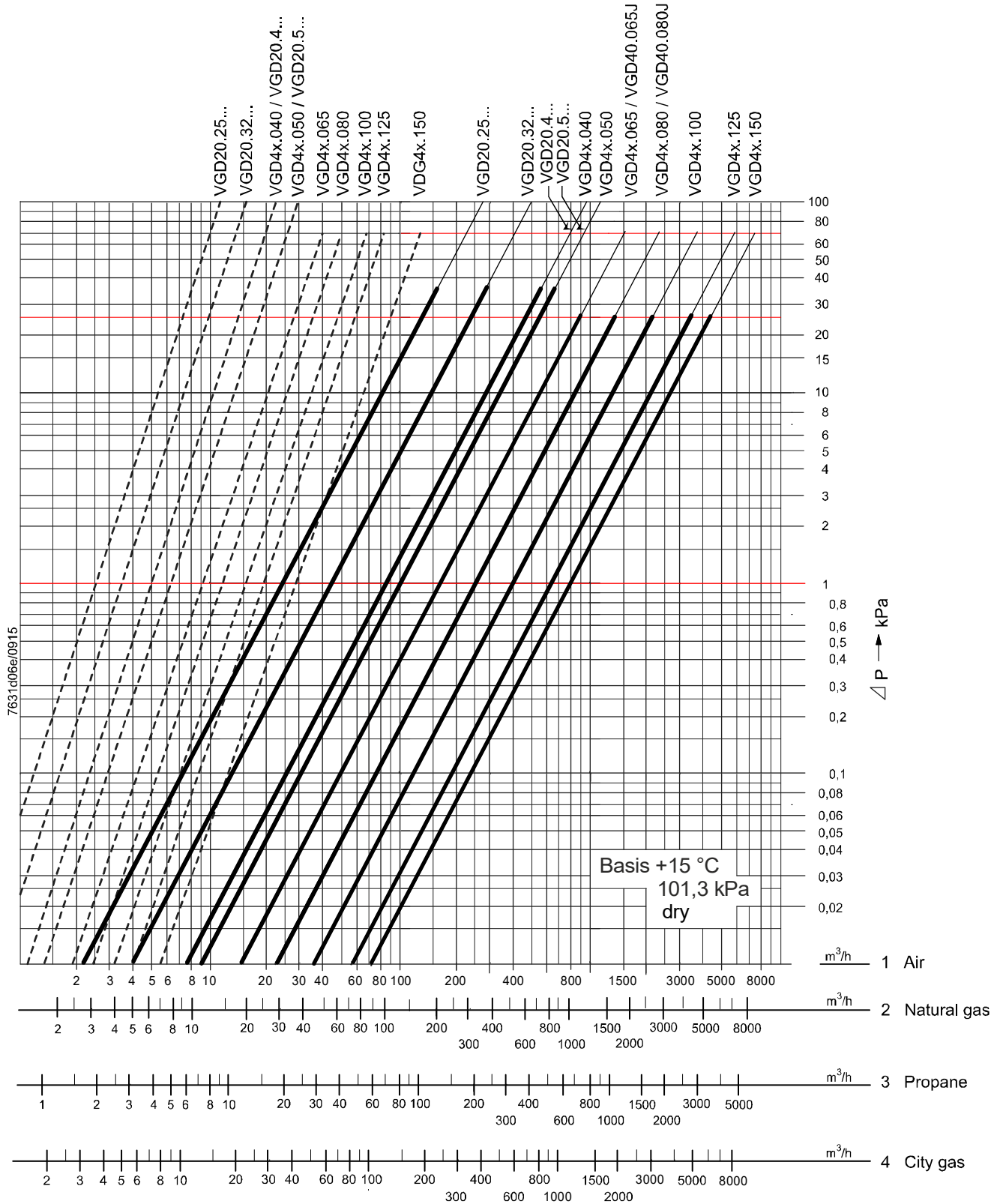
3x pressure switches (2x PM, Pi)



(Some of the attachment components are not part of the Siemens range)

The pressure switch plate ① facilitates the attachment of a number of commercially available pressure switches or valve proving devices.
 The pilot gas flange ② and pressure switch plate can be fitted on either side of the valve.

Flow chart of VGD (only for fully open VGDs)



Legend:

- Minimum flow characteristic
- Maximum flow characteristic (for fully open VGDs)

Flow chart of VGD (only for fully open VGDs) (cont'd)

Determination of pressure drop for gases with a density ratio (dv) other than that of the chart scales above:

Required variables
 $\rho(\text{Gas})$ Gas density in kg/m³
 $V(\text{Gas})$ Gas volume in m³/h

Procedure

- Calculate of the gas density ratio [dv(gas)]:

$$dv(\text{Gas}) = \frac{\text{Density (gas) in kg/m}^3}{1.22 \text{ kg/m}^3 (= \text{air density})}$$

- Determine the air volume [V(air)] that produces the same pressure drop (Δp) as the gas volume [V(gas)]:

$$V(\text{air}) = \frac{V(\text{gas) in m}^3/\text{h}}{\sqrt{dv(\text{Gas})}}$$

- Determine the gas pressure drop (Δp) with the help of the flow chart, based on the calculated air volume [V(air)] on the chart scale.

Operation beyond the range confined by the bold characteristics can lead to flow noise!



Attention!

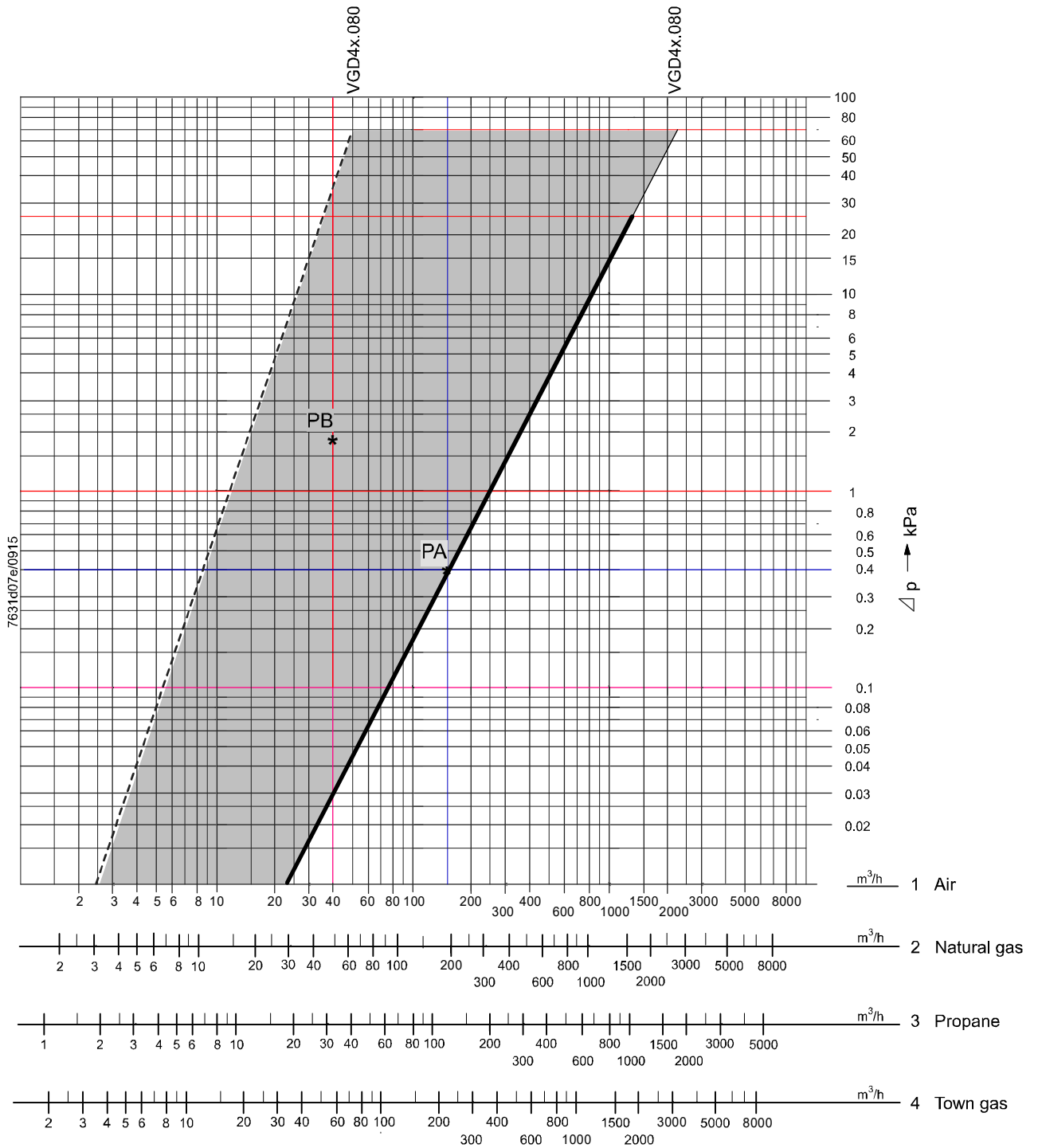
- For applications with a large modulation range, select the smallest possible nominal valve size, see SKPx5 data sheet N7643.
- If the gas pressure exceeds the maximum permissible operating pressure, reduce it with a pressure regulator installed upstream of the valve
- The pressure drop (lines of maximum flow) is based on a fully open VGD

Conversion of the air volume to a corresponding gas volume (natural gas)

Basis of scale	Abscissa	Medium Volumetric flow (QG) in m ³ /h	Density ratio (dv) to air	Conversion factor $f = \sqrt{\frac{1}{dv}}$
	1	Air	1	1
	2	Natural gas	0.61	1.28
	3	Propane	1.562	0.8
	4	Town gas	0.46	1.47

Conversion to air (m³/h) from other types of gases: $Q_L = \frac{Q_G}{f}$ Q_L = amount of air m³/h producing the same pressure drop as Q_G

Example: Recommended working range (only for fully open VGDs)



Legend

- Minimum flow characteristic (can vary, depending of the quality of the pressure test points)
- Maximum flow characteristic (for fully open VGDs)
- PA Working point
- PB Working point

Example: Recommended working range (extract of VGD... flow chart) (cont'd)

For points **PA** / **PB**, refer to the *Sizing example* chapter.

Sizing example

Simplified example based on the above sizing chart: VGD with SKP75.

Prerequisite	Burner gas outlet toward the combustion chamber
Simplified example: Constant combustion chamber pressure	= 0 kPa
Required control ratio	RV = 4:1
Gas inlet pressure	2 kPa

1. **High-fire** → Point **PA** in the highlighted area
Burner pressure at nominal load 1.6 kPa
Volumetric flow at nominal load 200 m³/h natural gas, corresponding to 156 m³/h air
- ΔpV ... at nominal load 2.0 – 1.6 = 0.4 kPa
Point **PA** must be on or to the left of the line representing the maximum flow characteristic
2. **Low-fire** → Point **PB** in the highlighted area

$$PG_{\min} = \frac{PG_{\max}}{RV^2} = \frac{1.6 \text{ kPa}}{16} = 0.1 \text{ kPa} \quad (\Delta p \text{ chart} = 2.0 - 0.1 = 1.9 \text{ kPa})$$

$$VG_{\min} = \frac{VG_{\max}}{RV} = \frac{200 \text{ m}^3/\text{h}}{4} = 50 \text{ m}^3/\text{h} \text{ corresponding to } h = 39 \text{ m}^3/\text{h} \text{ air}$$

– Selected valve size VGD40.080

Point **PB** must be on or to the right of the line representing the minimum flow characteristic.

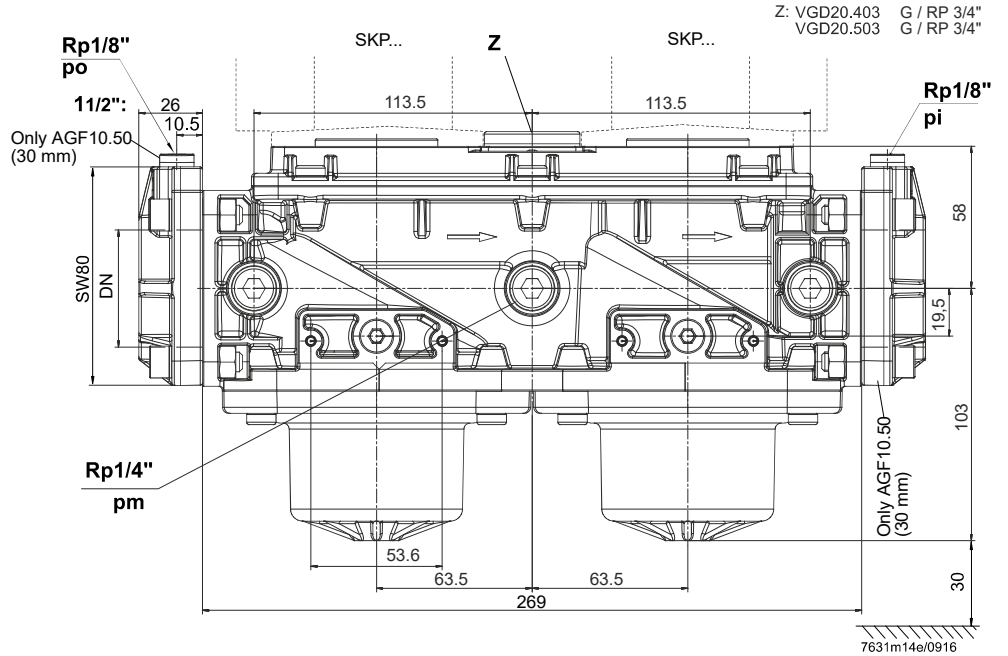
Dimensions (not to scale)

Dimensions in mm

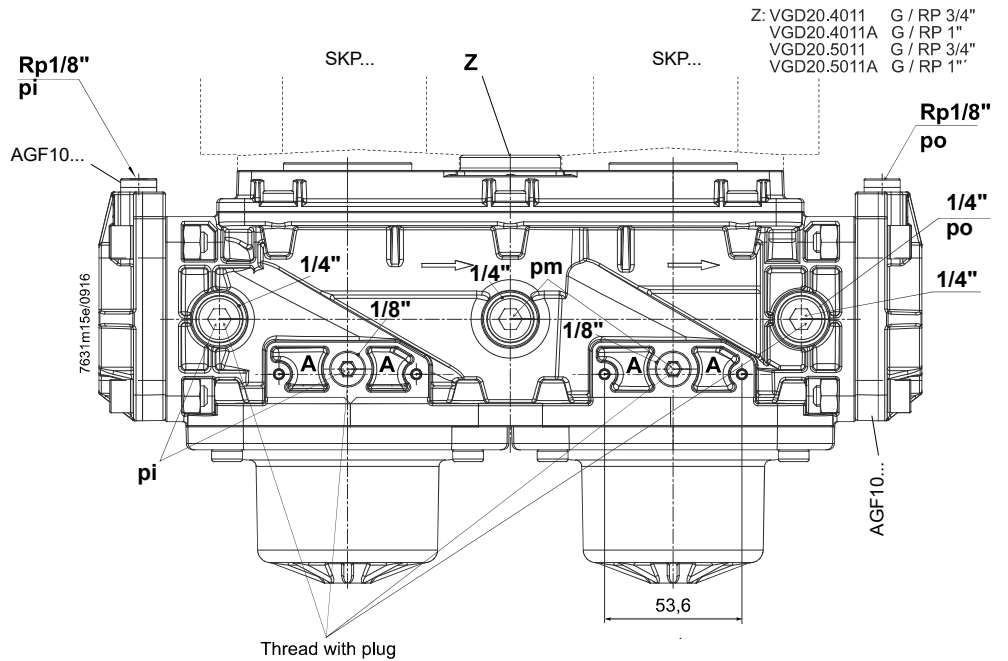


Note!
The VGD20s may only be mounted in conjunction with AGF10s.

VGD20.xx3... with AGF10...



VGD20.xx11... with AGF10... (for dimensions, refer to VGD20.403/VGD20.503)



Note!
A = hole for fitting the pressure switch (cheese-head screw M4 self-tapping)!

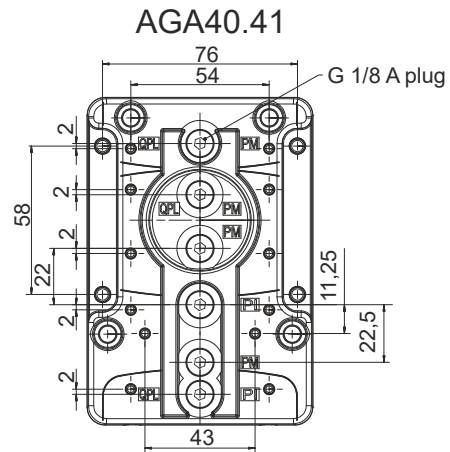
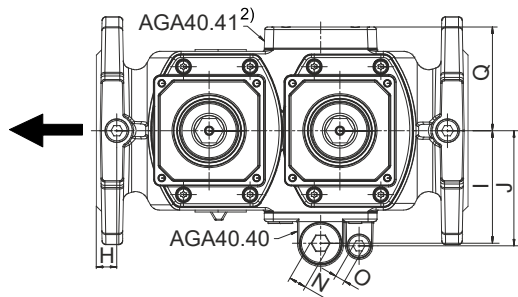
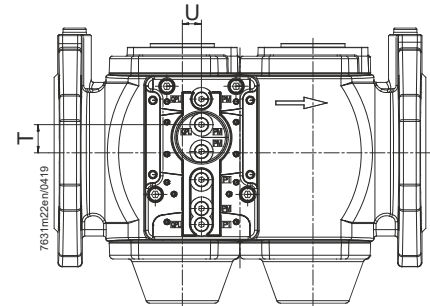
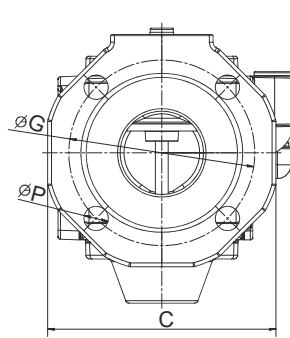
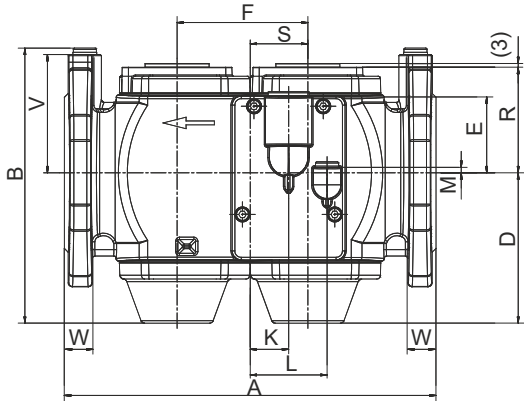
Dimensions (cont'd)

(Not to scale)

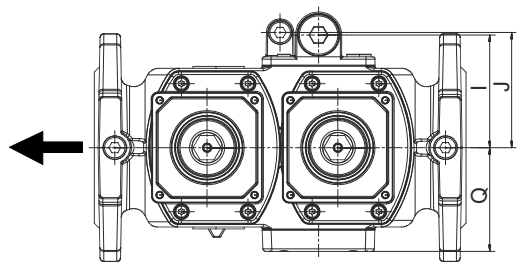
VGD40.../VGD41...

Dimensions

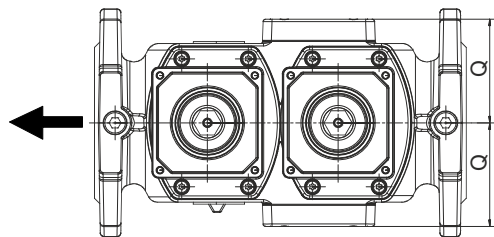
VGD40



VGD40.xxxL



VGD41



Dimensions (cont'd)

Table of dimensions

Type	DN ¹⁾	A	B	C	D	E	F	G	H	I	J	K	L	M	N	O	P	Q
VGD4x.040x	40	240	195	168	115	58	88	110	16	77	79	20	50	2	12	6	19	70
VGD4x.050x	50	240	202	175	115	58	88	125	16	77	79	20	50	2	12	6	19	70
VGD4x.065x	65	290	214	195	118	60	102	145	16	88	90	30	60	4	12	6	19	81
VGD40.065J	65	290	215	195	118	60	102	140	16	88	90	30	60	4	12	6	19	81
VGD4x.080x	80	310	236	204	132	54	107	160	16	90	92	30	60	3	12	6	19	88
VGD40.080J	80	310	238	204	132	54	107	150	16	90	92	30	60	3	12	6	19	88
VGD4x.100x	100	350	259	228	145	43	131	180	16	106	108	41	71	13	12	6	19	99
VGD4x.125x	125	400	305	256	175	31	150	210	16	120	122	41	71	25	12	6	19	113
VGD4x.150x	150	480	335	294	188	20	168	240	16	140	143	39	69	36	12	6	23	134

Type	R	S	T	U	V	W
VGD4x.040x	79	44	20	20	75	20
VGD4x.050x	79	44	20	20	82,5	20
VGD4x.065x	82	45	22	30	92	22
VGD40.065J	82	45	22	30	95	22
VGD4x.080x	92	48	16	30	100	24
VGD40.080J	92	48	16	30	102	24
VGD4x.100x	110	59,5	5	41	110	24
VGD4x.125x	128	69	7	41	125	26
VGD4x.150x	145	78	18	39	142	26

- 1) Flanges to ISO 7005-2
- 2) VGD41 has an AGA40.41 on both sides and no AGA40.40
- 3) With the VGD40.xxxL, the mounting position of the two AGA40.4x units is reversed
- DN Nominal size, dimensions of connection
- R Number of boreholes in the flange