

**GÜVEN SOĞUTMA**  
**ÜNİTELERİ SAN. VE TİC. A.Ş.**

Addr: Hastane Mah. Hadimköy İstanbul Cd. No:78/1  
34555, Arnavutköy, İstanbul, TURKEY  
Tel: +90 212 771 51 12 - 771 51 13  
Fax: +90 212 771 51 10  
www.gvn.com.tr



**GVN STANDART PRODUCT** Customer

**SUCTION LINE ACCUMULATORS & HEAT EXCHANGER** Product

**SLA.E.33B.54.16.13.F4** Code

Customer Code

**DESIGN DATA**

Capacity [Lt.]	13 Lt.
Design Pressure [PS]	33 Bar
Pneumatic Test Pressure [PT]	36 Bar
Hydraulic Test Pressure	48 Bar
Design Temperature [TS]	Min.-20C / Max.+130C
Cooler Fluid Type	HFC-CFC-HCFC
Fluid Group	2
Category	CAT II / D1
Desing Calculation	EN 14276-1/EN 13445-3
Welded Joint Efficiency	0.85
Material Group (Shell / Head)	1.2
Testing Group	3b
Corrasion Allowance	0,5 mm
Ndt	10%
Packaging Size & Weight	00*00*00 & 00 Kg.
Drawed By	Ö.TÜRKER
Approved By	D.GÜL
Date	25.11.2022
Color	RAL 5009

**MATERIAL DATA**

No	Connection	Model	Code	Qty
1	Inlet Connection	ODS 2 1/8" H:80	106.033.B10.000.018	1
2	Outlet Connection	ODS 2 1/8" H:80	106.033.B10.OUT.080	1
3	Heat Exchanger Conn.	ODS 5/8"H:120	106.060.B04.OUT.120	1
4	Heat Exchanger Outlet	ODS 5/8"H:120	106.060.B04.OUT.120	1
5	Safety Valve Conn.	NPT 1/2" H:18	106.060.F04.NPT.T18	1
6	Blind Plug	NPT 1/2"Plug	106.130.F04.KTP.023	1
7	Pipe	Ø51x1,5 H:319	204.051.015.SLA.001	1
8	Pipe	Ø76x1,5 H:284	204.076.015.SLA.001	1
9	Shell	Ø219x3 H:234	204.SLA.033.219.001	1
10	Head Torispheric	Ø219x3 H:75	101.033.219.001.000	1
11	Head Torispheric	Ø219x3 H:75	201.033.219.001.008	1
12	Cover	Ø76x2,5	201.030.076.001.000	1
13	Skirt With	Ø205x2,5 H:18	105.004.205.001.001	1
14	Exchanger Pipe	Ø16x1	115.016.ESJ.0CU.003	1

**GENERAL NOTES**

- Max. allowable operating pressure (PS) according to the temperature range;
- 1) Allowable operating temperature : min. -20C° / max. +130C° PS1 = 33 Bar
- 2) Allowable operating temperature : min. -40C° / max. -20C° PS2 = 24 Bar
- Unless otherwise specified dimensions in MM
- Unless otherwise specified do not scale
- Unless otherwise specified tube must be clean&free from burrs inside&outside& suitable for soldering
- Unless otherwise specified do not scale indicated thickness are min. after forming or machining
- Unless otherwise specified dimension tolerances according to EN 113445-4

**REVISIONS**

No	Details Of Change	Date	By
01			
02			
03			

**RELATED DRAWINGS**

No	Description	Drawing No
01		
02		

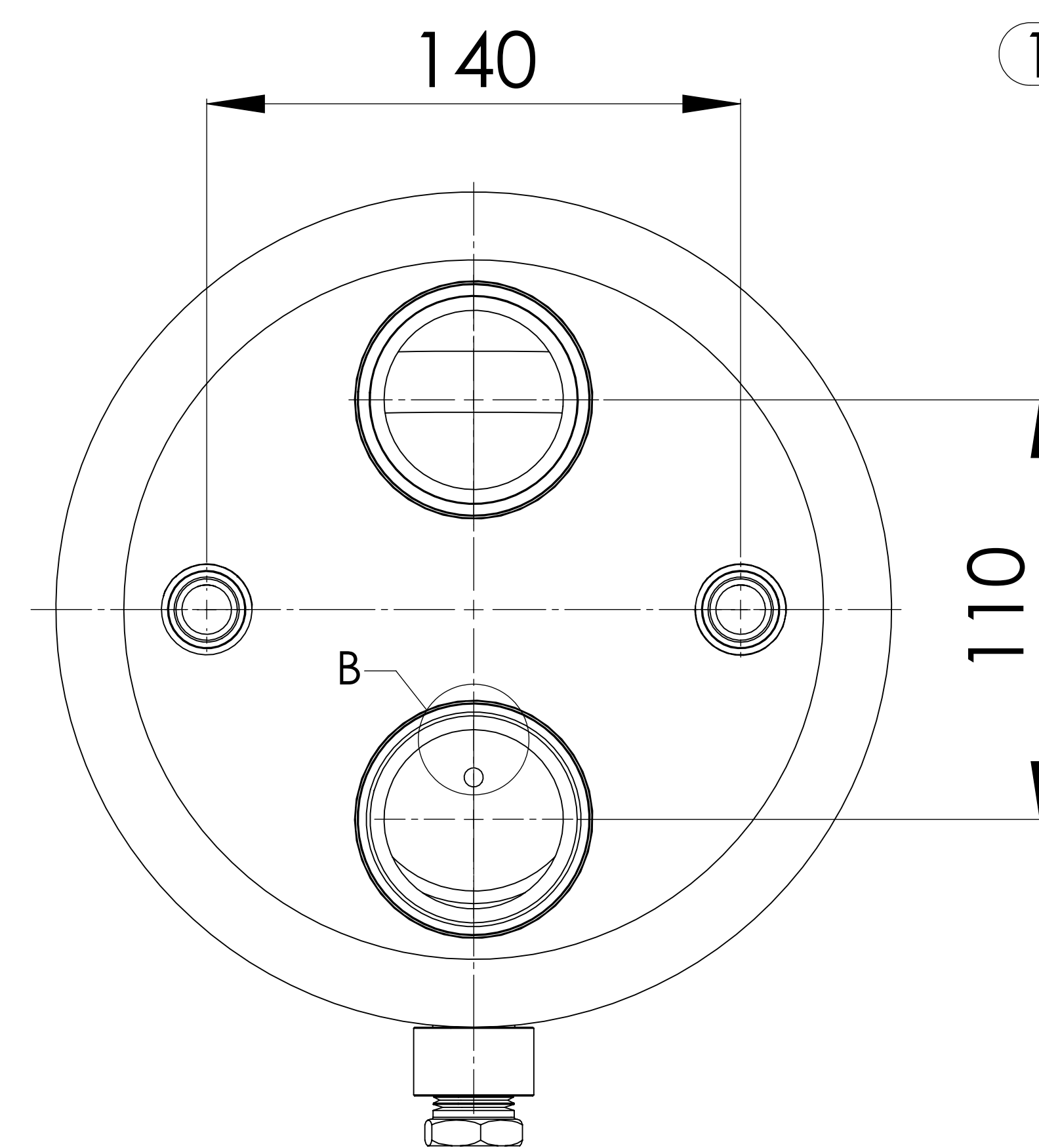
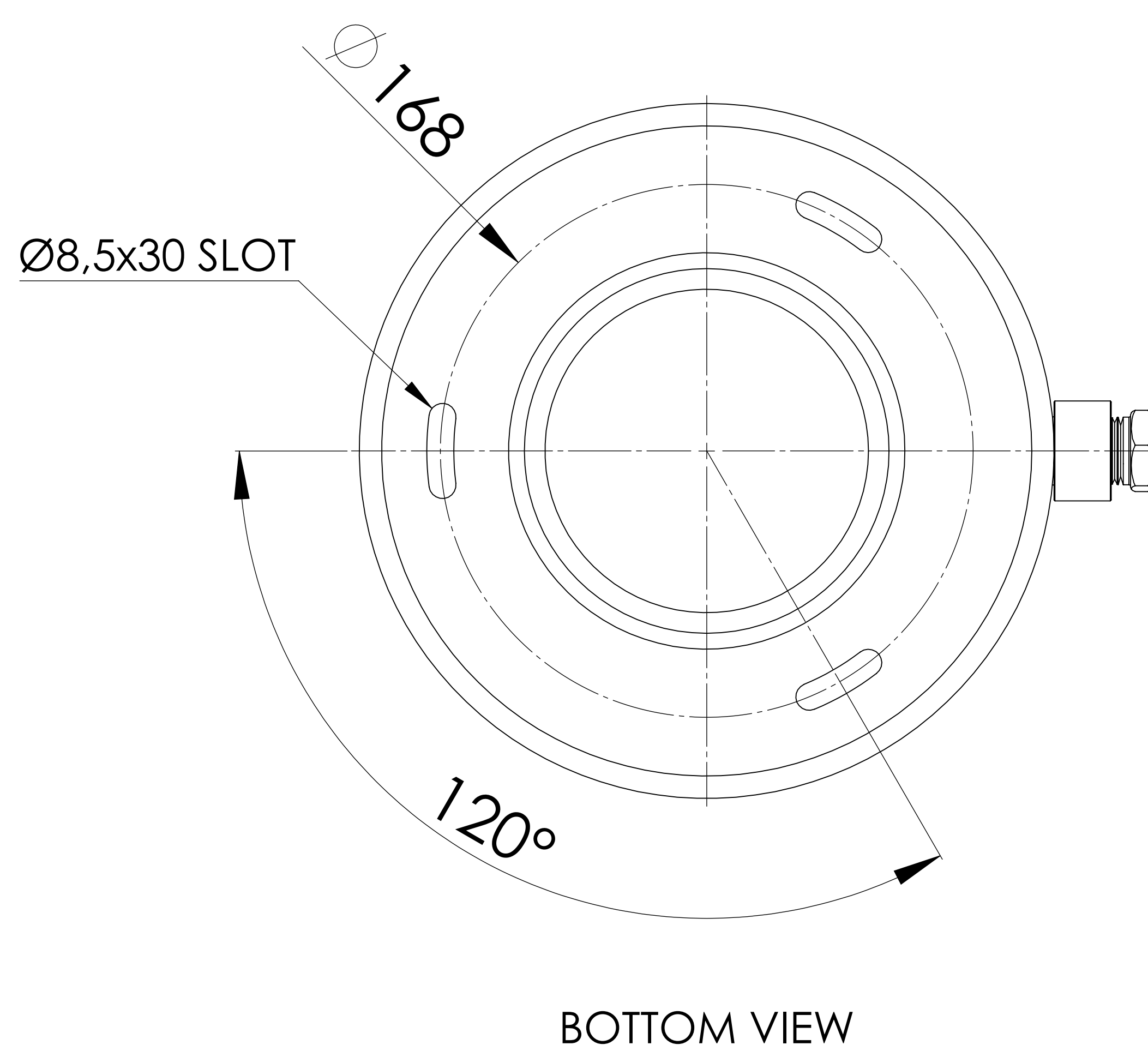
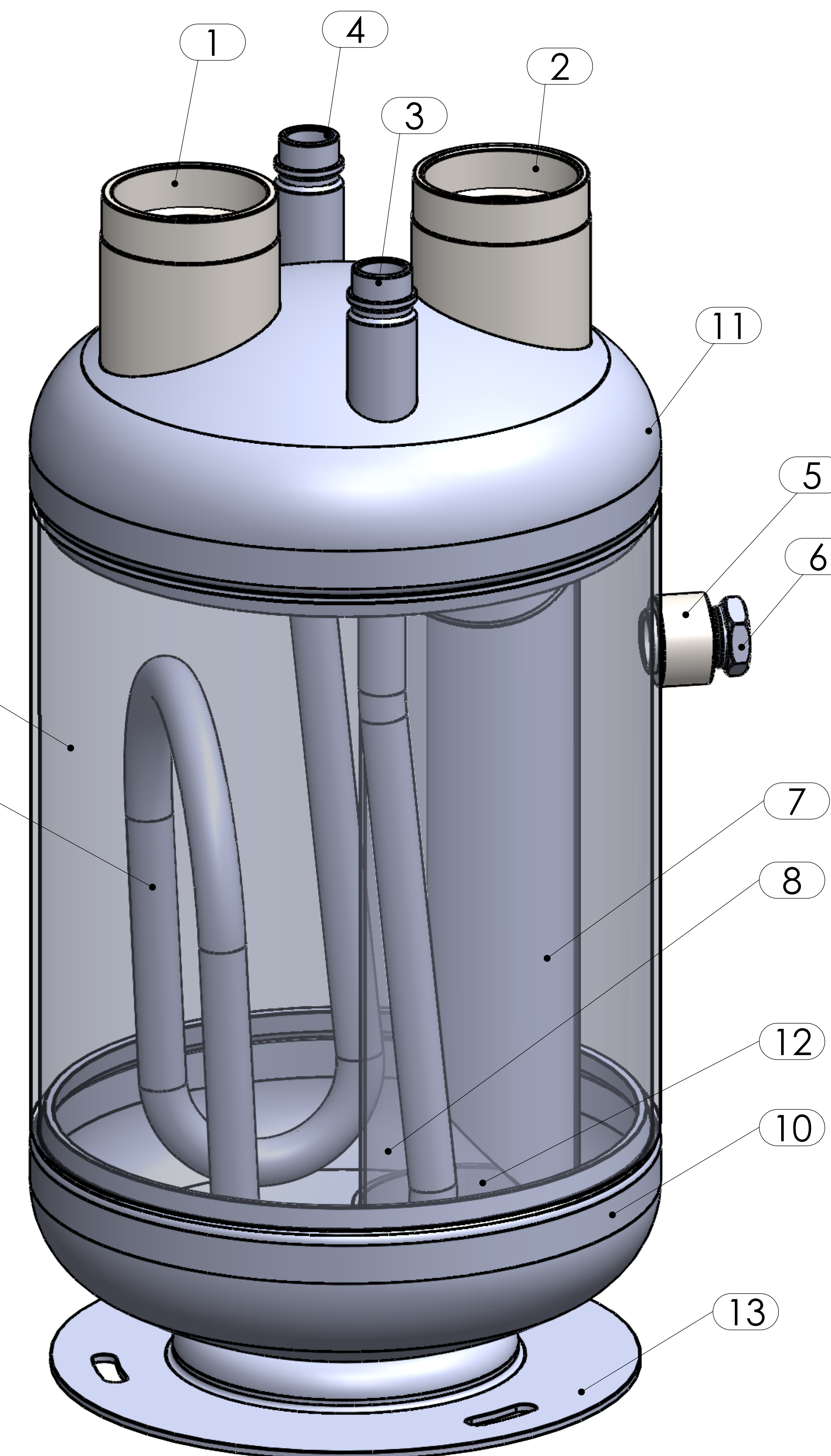
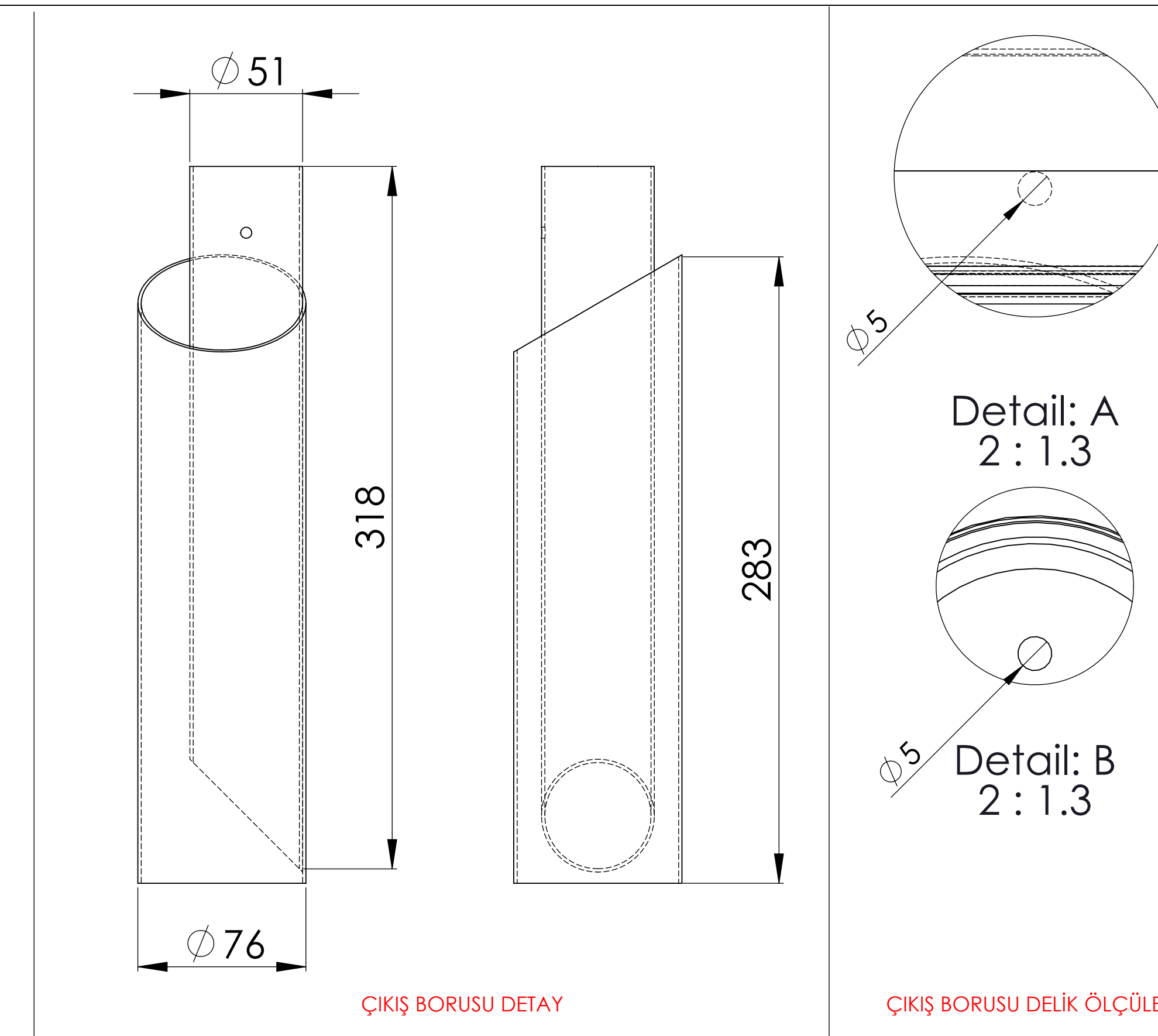
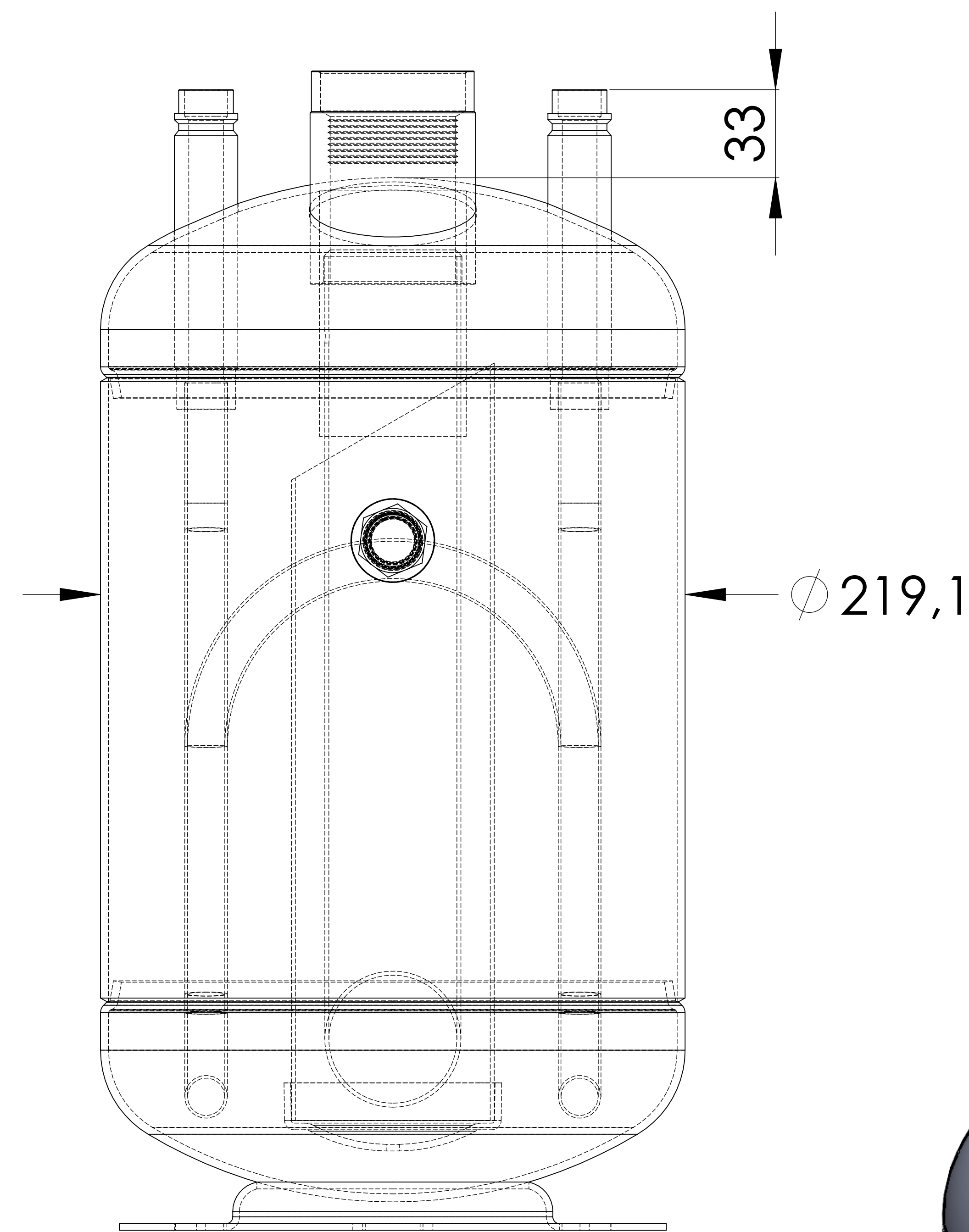
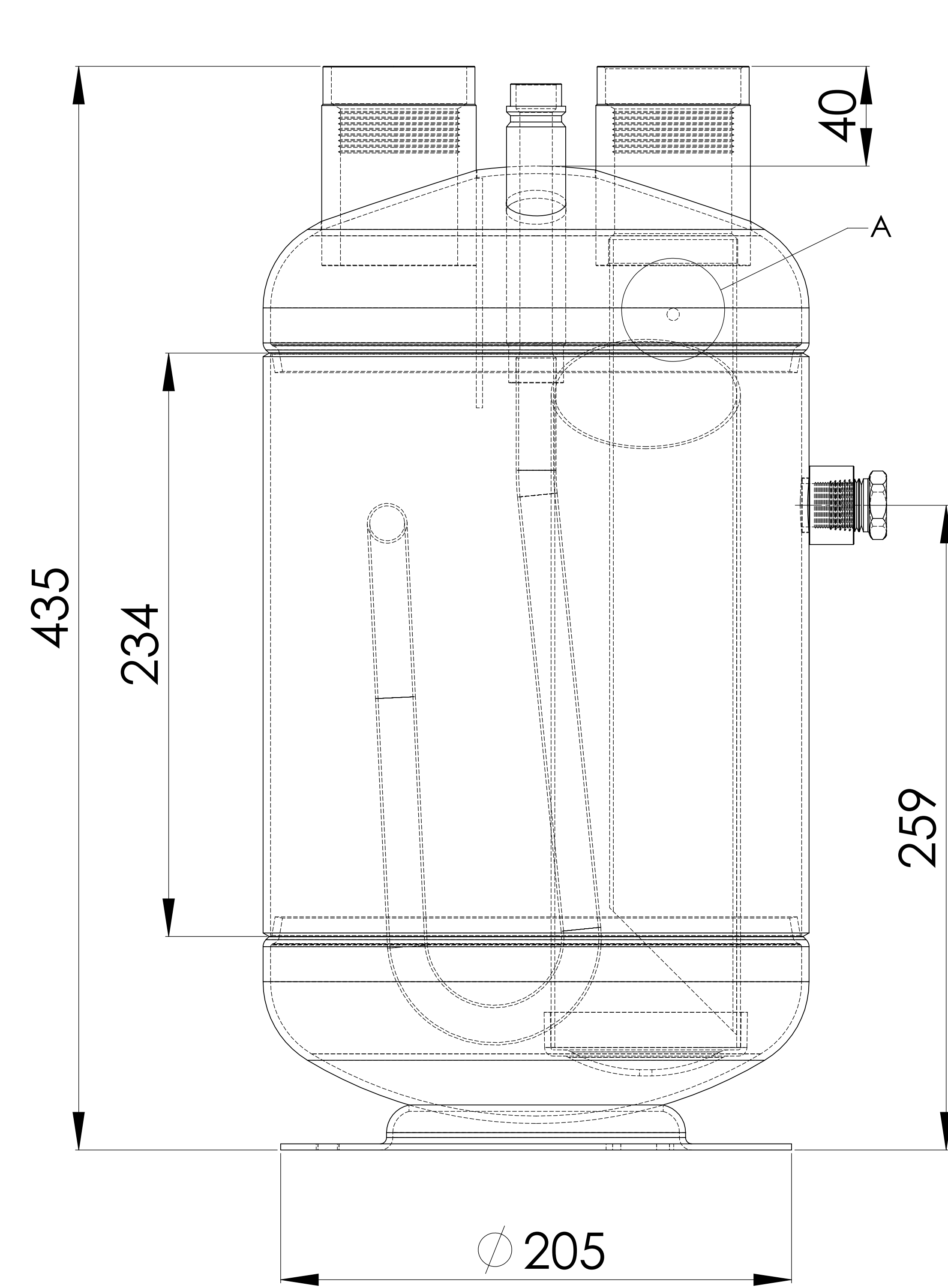
No	Assembly Codes	Qty
2	M005.000387	1

**MATERIAL DATA**

No	Connection	Model	Code	Material	Qty
15	Saparator	92X55x2,5	105.009.092.055.001	S235JR EN10025-2	1



We reserve all rights in this document and in the information contained therein. Reproduction use or disclosure to third parties without express authority is strictly forbidden.



BOTTOM VIEW

TOP VIEW