

GVN STANDART PRODUCT	Customer
SUCTION LINE ACCUMULATORS & HEAT EXCHANGER	Product
SLA.E.33B.54.19.25.F4	Code
	Customer Code

DESIGN DATA	
Capacity [Lt.]	25 Lt.
Design Pressure [PS]	33 Bar
Pneumatic Test Pressure [PT]	36 Bar
Hydraulic Test Pressure	48 Bar
Design Temperature [TS]	Min.-20C / Max.+130C
Cooler Fluid Type	HFC-CFC-HCFC
Fluid Group	2
Category	CAT II / D1
Desing Calculation	EN 14276-1/EN 13445-3
Welded Joint Efficiency	0.85
Material Group (Shell / Head)	1.2
Testing Group	3b
Corrasion Allowance	0,5 mm
Ndt	10%
Packaging Size & Weight	00*00*00 & 00 Kg.
Drawed By	Ö.TÜRKER
Approved By	D.GÜL
Date	28.11.2022
Color	RAL 5009

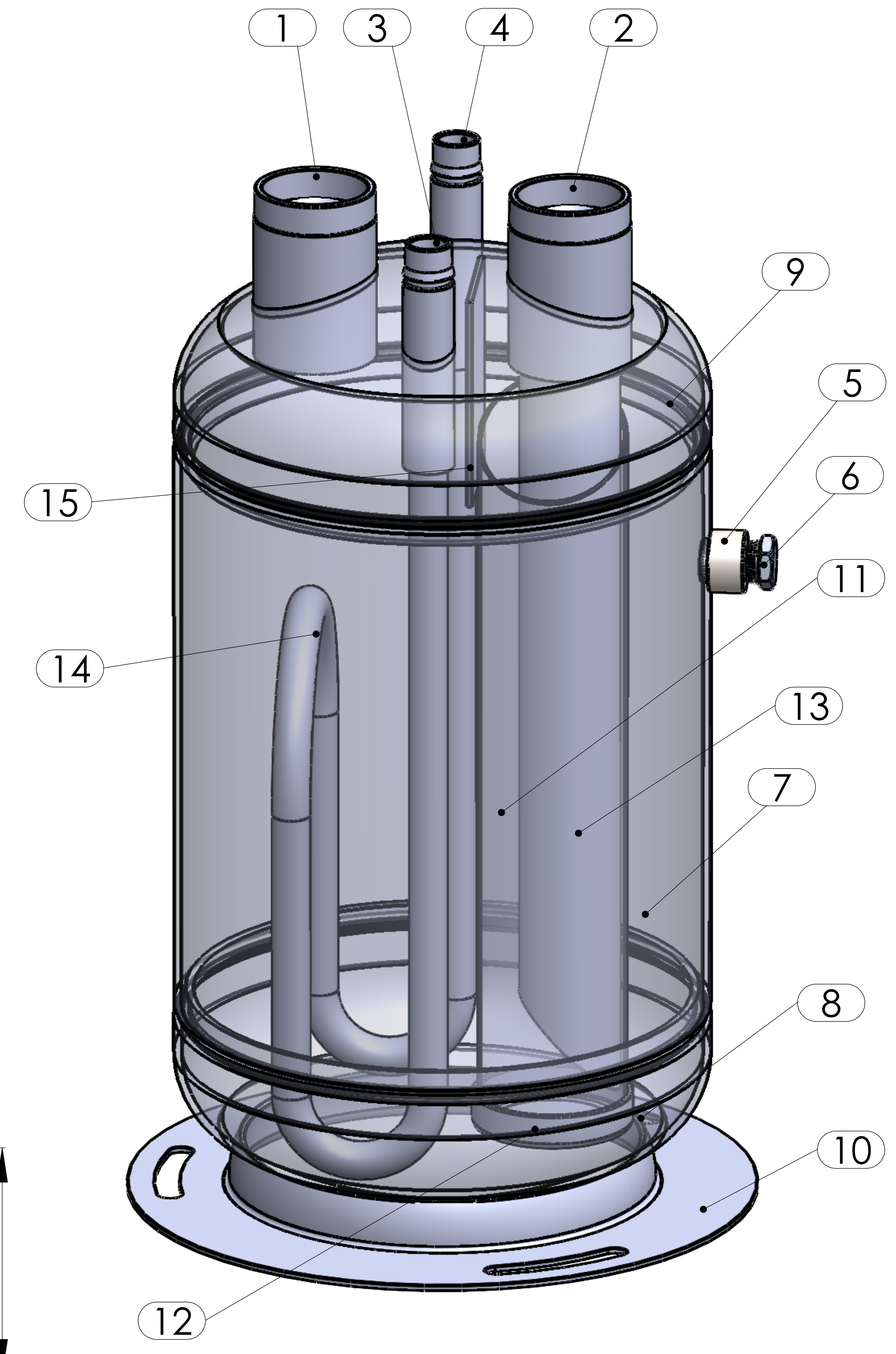
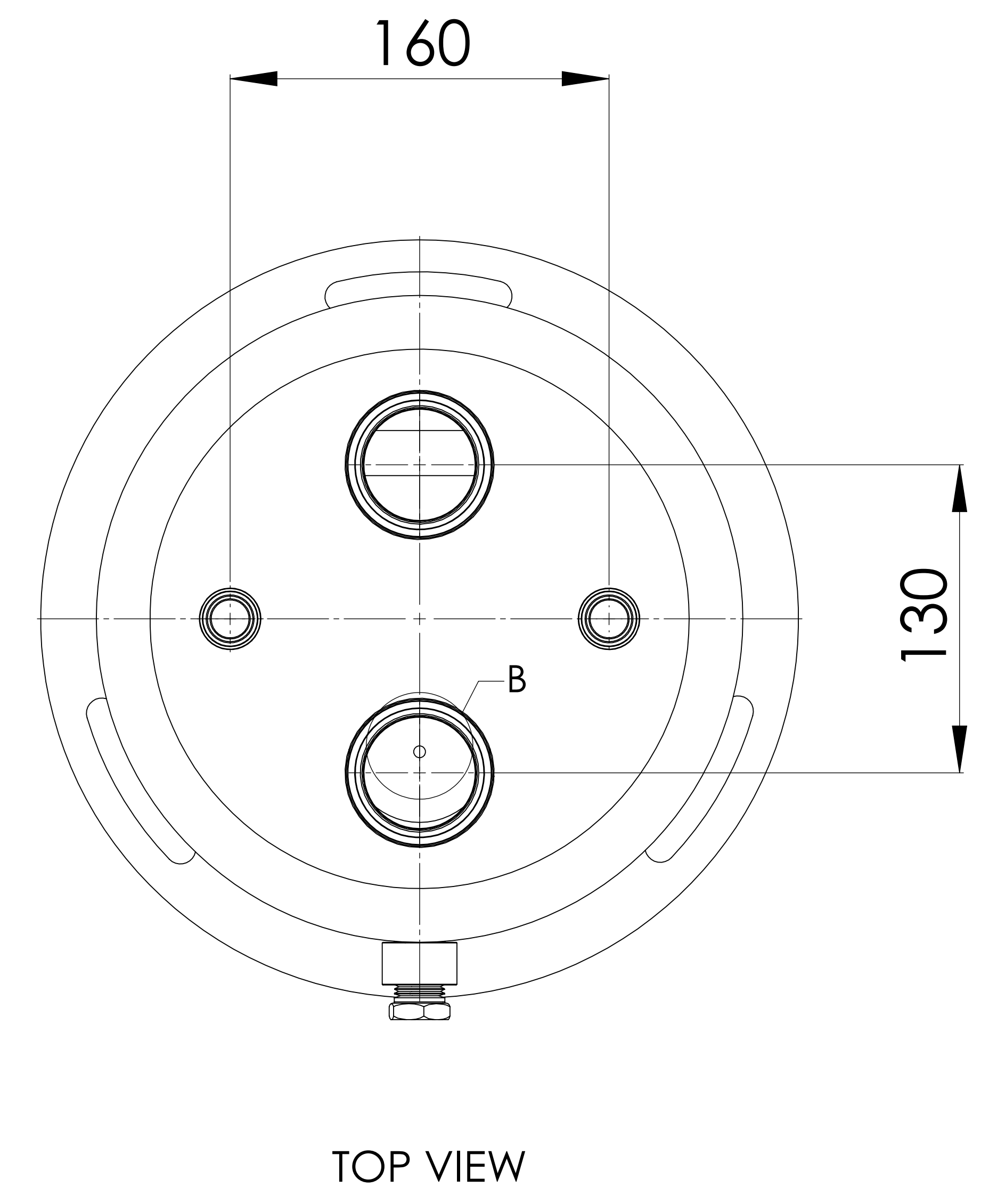
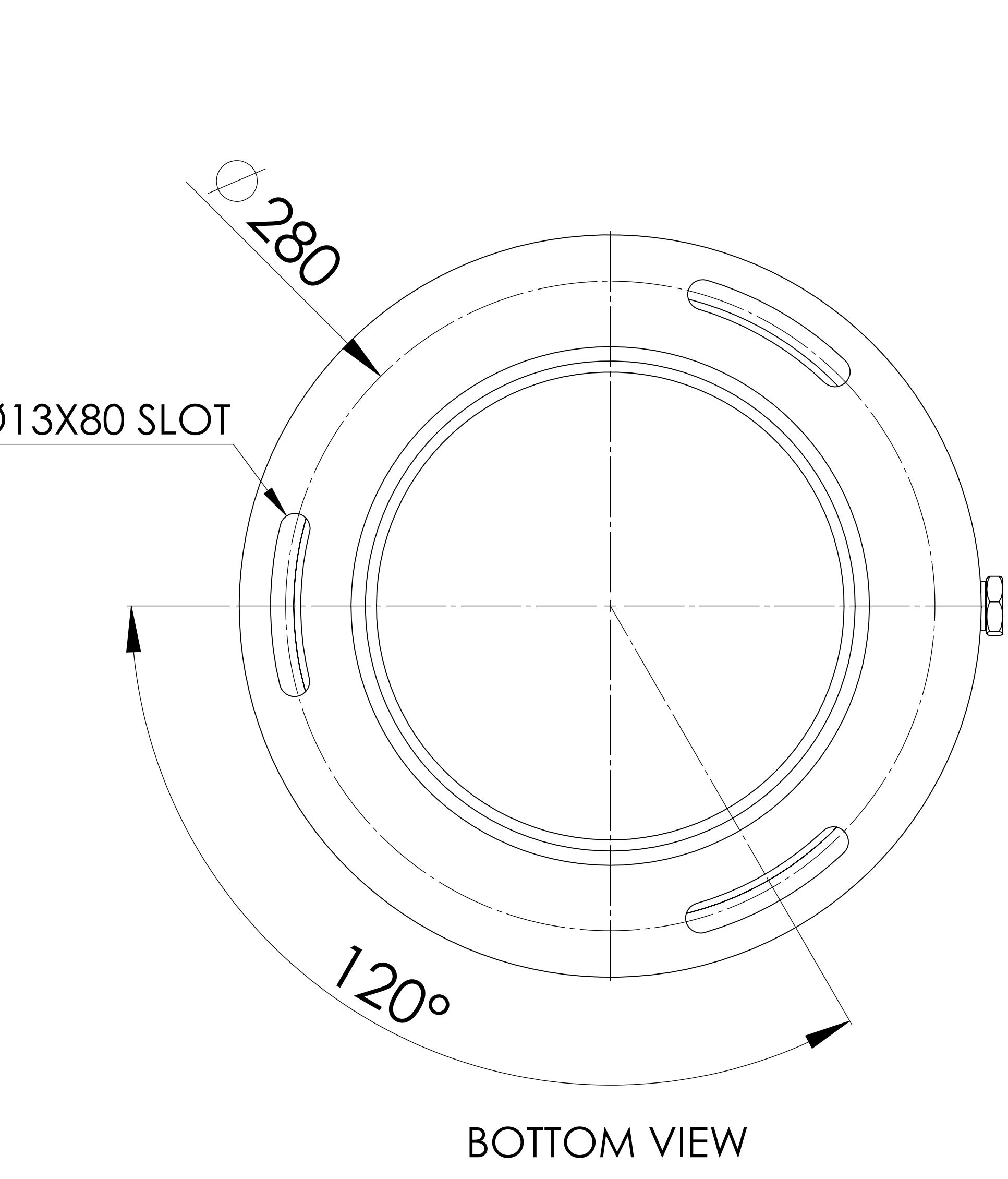
MATERIAL DATA				
No	Connection	Model	Code	Qty
1	Inlet Connection	ODS 2 1/8" H:90	106.033.B10.000.012	1
2	Outlet Connection	ODS 2 1/8" H:90	106.033.B10.000.012	1
3	Heat Exchanger Inlet	ODS 3/4" H:120	106.060.B05.000.005	1
4	Heat Exchanger Outlet	ODS 3/4" H:120	106.060.B05.000.005	1
5	Safety Valve Conn.	NPT 1/2" H:18	106.060.F04.NPT.T18	1
6	Blind Plug	NPT 1/2" Plug	106.130.F04.KTP.023	1
7	Shell	Ø273x4 H:303	204.SLA.033.273.001	1
8	Head - Torispheric	Ø273x4 H:95	101.045.273.001.000	1
9	Head - Torispheric	Ø273x4 H:95	201.045.273.001.028	1
10	Skirt With	Ø320x2,5 H:27	105.004.320.001.001	1
11	Pipe	Ø76x1,5	204.076.015.SLA.000	1
12	Cover	Ø76x2,5	201.030.076.001.000	1
13	Pipe	Ø51x1,5 H:419	204.051.015.SLA.002	1
14	Exchanger Pipe	Ø19x1,5	115.019.ESJ.OST.000	1

GENERAL NOTES

- Max. allowable operating pressure (PS) according to the temperature range;
- 1) Allowable operating temperature : min. -20C° / max. +130C° PS1 = 33 Bar
- 2) Allowable operating temperature : min. -40C° / max. -20C° PS2 = 24 Bar
- Unless otherwise specified dimensions in MM
- Unless otherwise specified do not scale
- Unless otherwise specified tube must be clean&free from burrs inside&outside&uitable for soldering
- Unless otherwise specified do not scale indicated thickness are min. after forming or machining
- Unless otherwise specified dimension tolerances according to EN 113445-4

REVISIONS			
No	Details Of Change	Date	By
01			
02			
03			

RELATED DRAWINGS	
No	Description
01	
02	



No	Assembly Codes	Qty
1	M005.000390	1

MATERIAL DATA					
No	Connection	Model	Code	Material	Qty
15	Saparator	110x70x2,5	105.009.110.070.001	S235	1