

**GÜVEN SOĞUTMA**  
**ÜNİTELERİ SAN. VE TİC. A.Ş.**

Add: Hastane Mah. Hadimköy İstanbul Cd. No:78/1  
34555, Arnavutköy, İstanbul, TURKEY  
Tel: +90 212 771 51 12 - 771 51 13  
Fax: +90 212 771 51 10  
www.gvn.com.tr



**GVN STANDART PRODUCT**

**Customer**

**SUCTION LINE ACCUMULATORS & HEAT EXCHANGER**

**Product**

**SLA.E.33B.92.22.32.F4**

**Code**

**Customer Code**

**DESIGN DATA**

Capacity [Lt.]	32 Lt.
Design Pressure [PS]	33 Bar
Pneumatic Test Pressure [PT]	36 Bar
Hydraulic Test Pressure	48 Bar
Design Temperature [TS]	Min.-20C / Max.+130C
Cooler Fluid Type	HFC-CFC-HCFC
Fluid Group	2
Category	CAT III / H
Desing Calculation	EN 14276-1/EN 13445-3
Welded Joint Efficiency	0.85
Material Group (Shell / Head)	1.2
Testing Group	3b
Corrasion Allowance	0,1 mm
Ndt	10%
Packaging Size & Weight	00*00*00 & 00 Kg.
Drawed By	Ö.TÜRKER
Approved By	D.GÜL
Date	30.11.2022
Color	RAL 5009

**MATERIAL DATA**

No	Connection	Model	Code	Qty
1	Inlet Connection	ODS 3 5/8" H:120	106.033.B15.OUT.120	1
2	Outlet Connection	ODS 3 5/8" H:120	106.033.B15.OUT.120	1
3	Heat Exchanger Inlet	ODS 7/8" H:120	106.060.B06.OUT.120	1
4	Heat Exchanger Outlet	ODS 7/8" H:120	106.060.B06.OUT.120	1
5	Exchanger Pipe	Ø22x1,5	115.022.ES.J.OST.001	1
6	Safety Valve Conn.	NPT 1/2" H:18	106.060.F04.NPT.T18	1
7	Blind Plug	NPT 1/2" Plug	106.130.F04.KTP.023	1
8	Pipe	Ø89x2 H:320	204.089.020.SLA.000	1
9	Pipe	Ø140x3 H:320	204.140.030.SLA.000	1
10	Shell	Ø323,9x4 H:243	204.SLA.033.324.001	1
11	Head - Torispheric	Ø323,9x4 H:105	101.045.324.001.000	1
12	Head - Torispheric	Ø323,9x4 H:105	101.045.324.001.015	1
13	Head Torispheric	Ø139,7x3 H:45	201.060.140.001.010	1
14	Saparator	150x100x2,5	105.009.150.100.001	1

**GENERAL NOTES**

- Max. allowable operating pressure (PS) according to the temperature range:
- 1) Allowable operating temperature : min. -20C° / max. +130C° PS1 = 33 Bar
- 2) Allowable operating temperature : min. -40C° / max. -20C° PS2 = 24 Bar
- Unless otherwise specified dimensions in MM
- Unless otherwise specified do not scale
- Unless otherwise specified tube must be clean&free from burrs inside&outside&uitable for soldering
- Unless otherwise specified do not scale indicated thickness are min. after forming or machining
- Unless otherwise specified dimension tolerances according to EN 13445-4

**REVISIONS**

No	Details Of Change	Date	By
01			
02			
03			

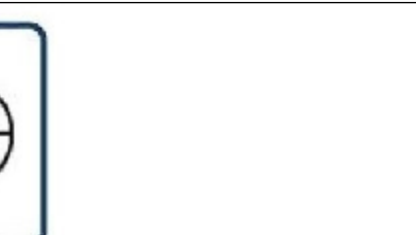
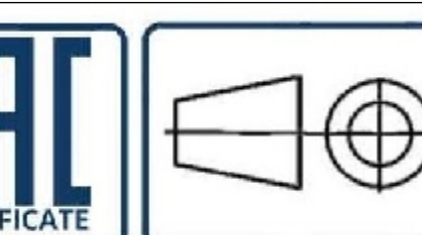
**RELATED DRAWINGS**

No	Description	Drawing No
01		
02		

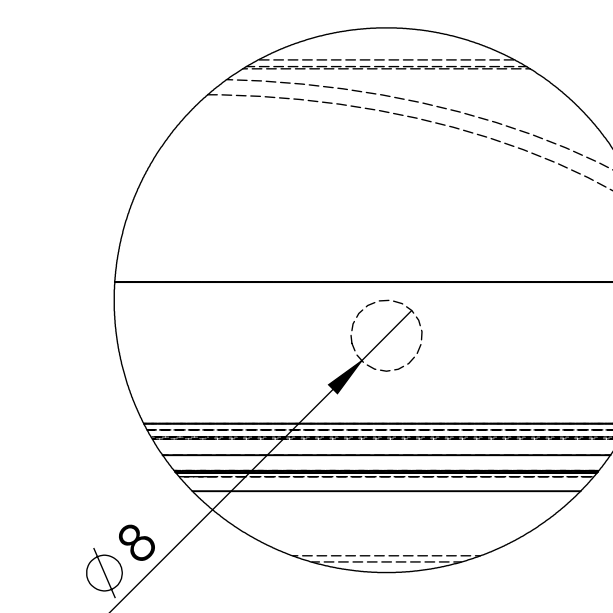
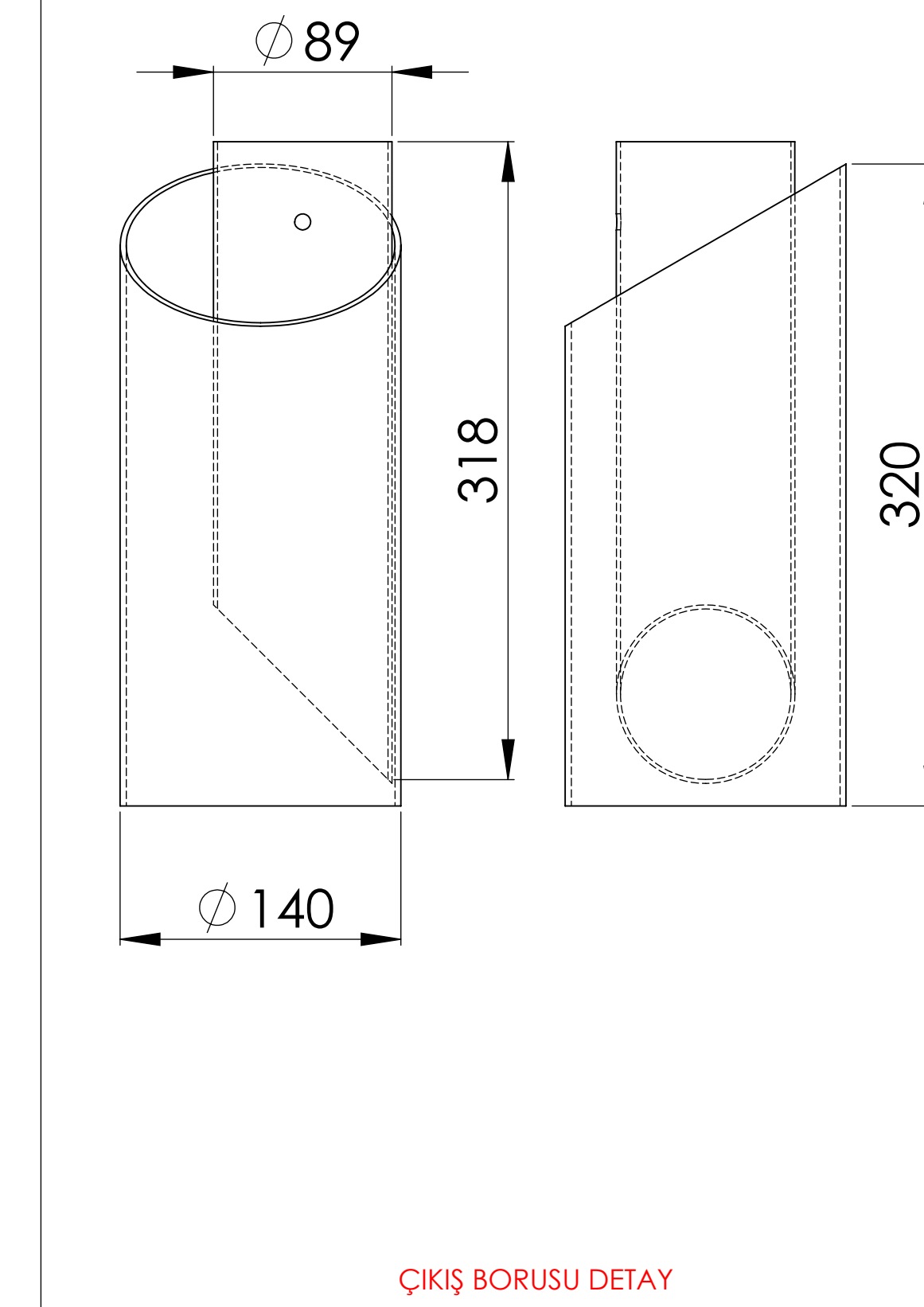
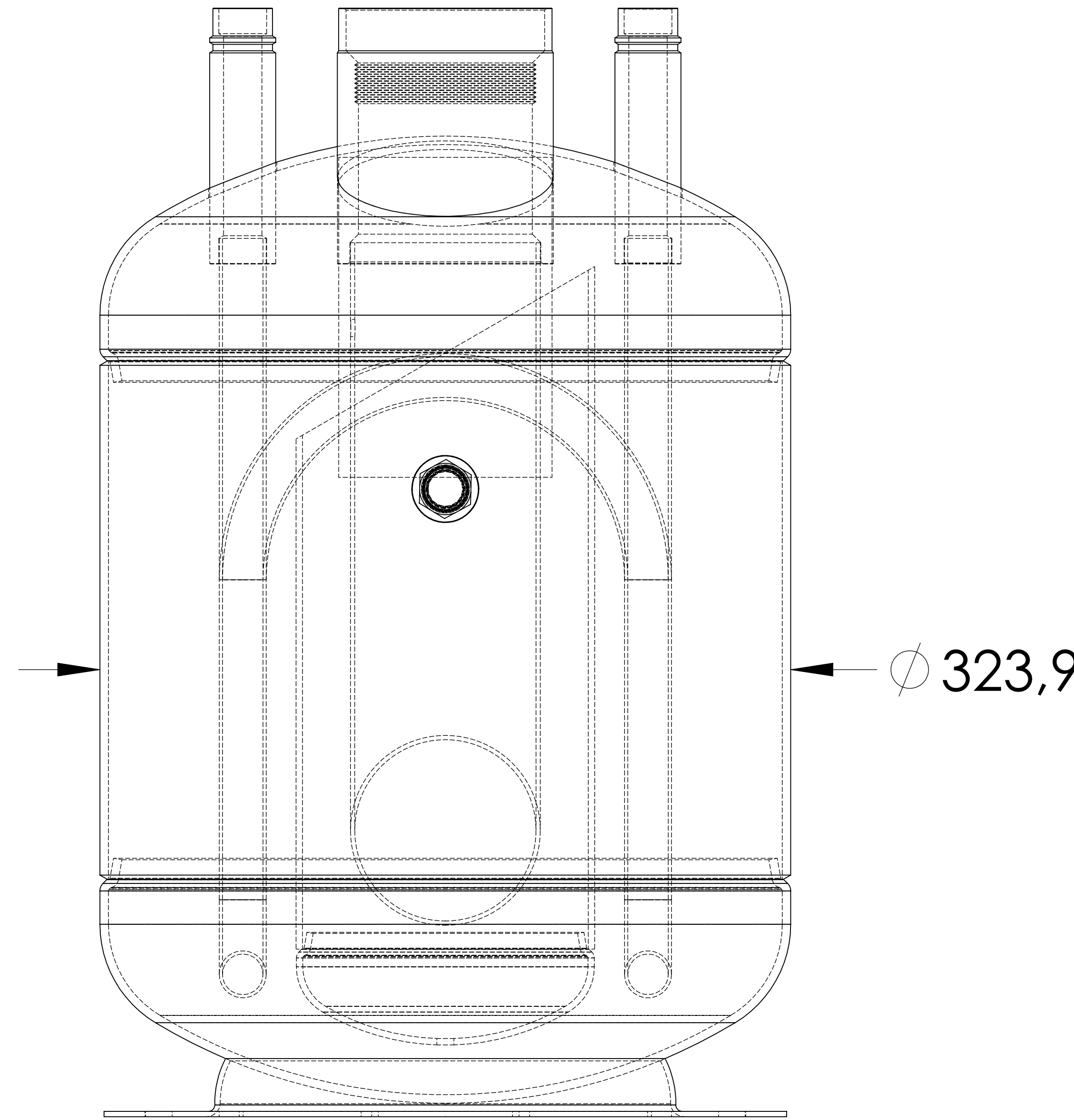
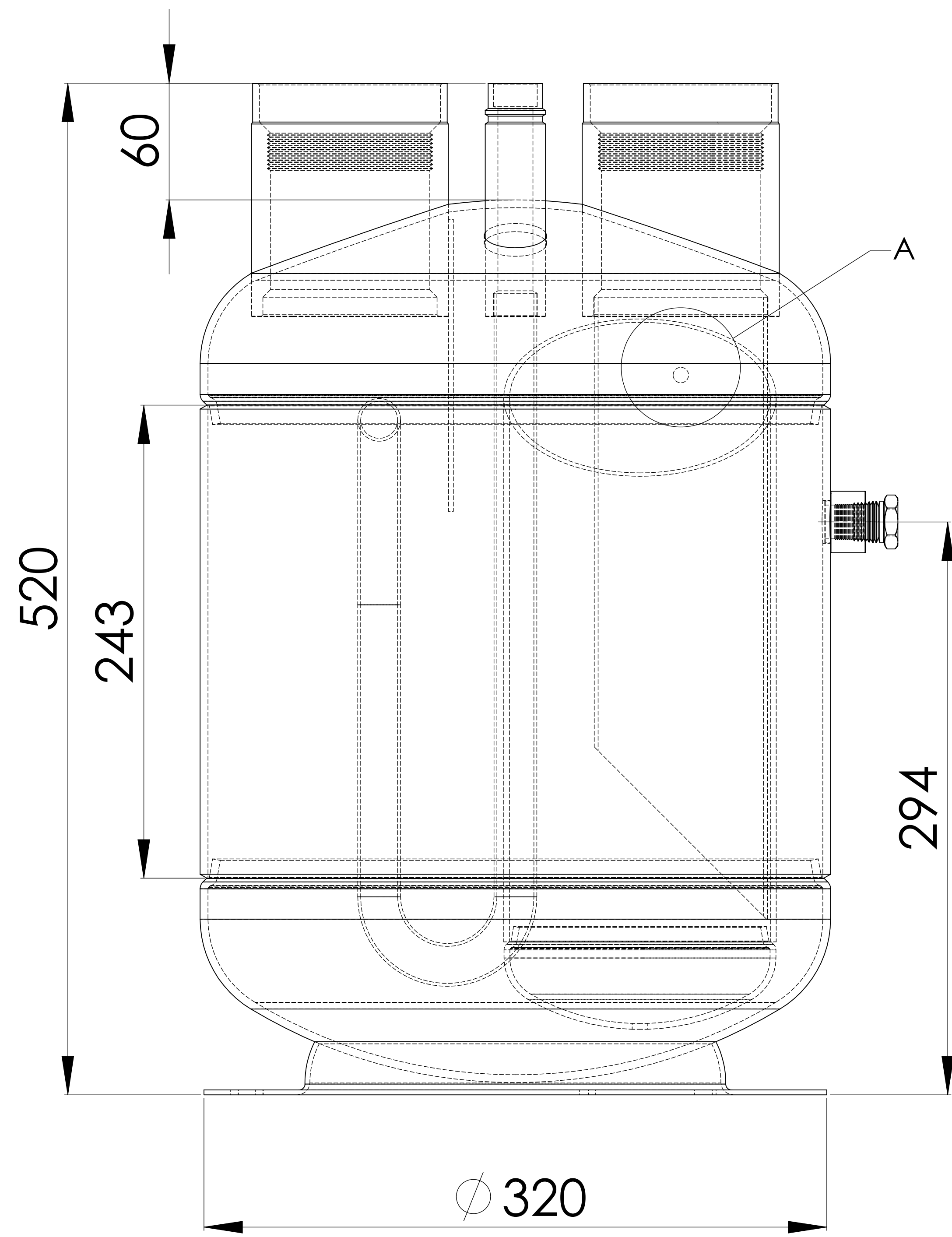
No	Assembly Codes	Qty
1	M005.000394	1

**MATERIAL DATA**

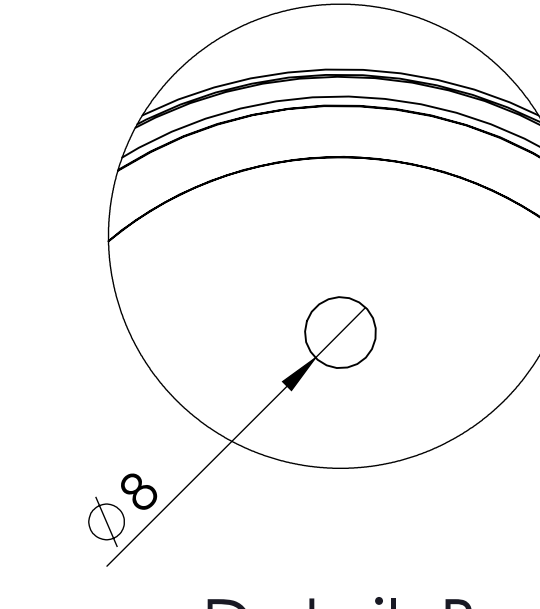
No	Connection	Model	Code	Material	Qty
15	Skirt With	Ø320x2,5 H:27	105.004.320.001.001	EN 10111 DD-13	1



We reserve all rights in this document and in the information contained therein. Reproduction use or disclosure to third parties without express authority is strictly forbidden.



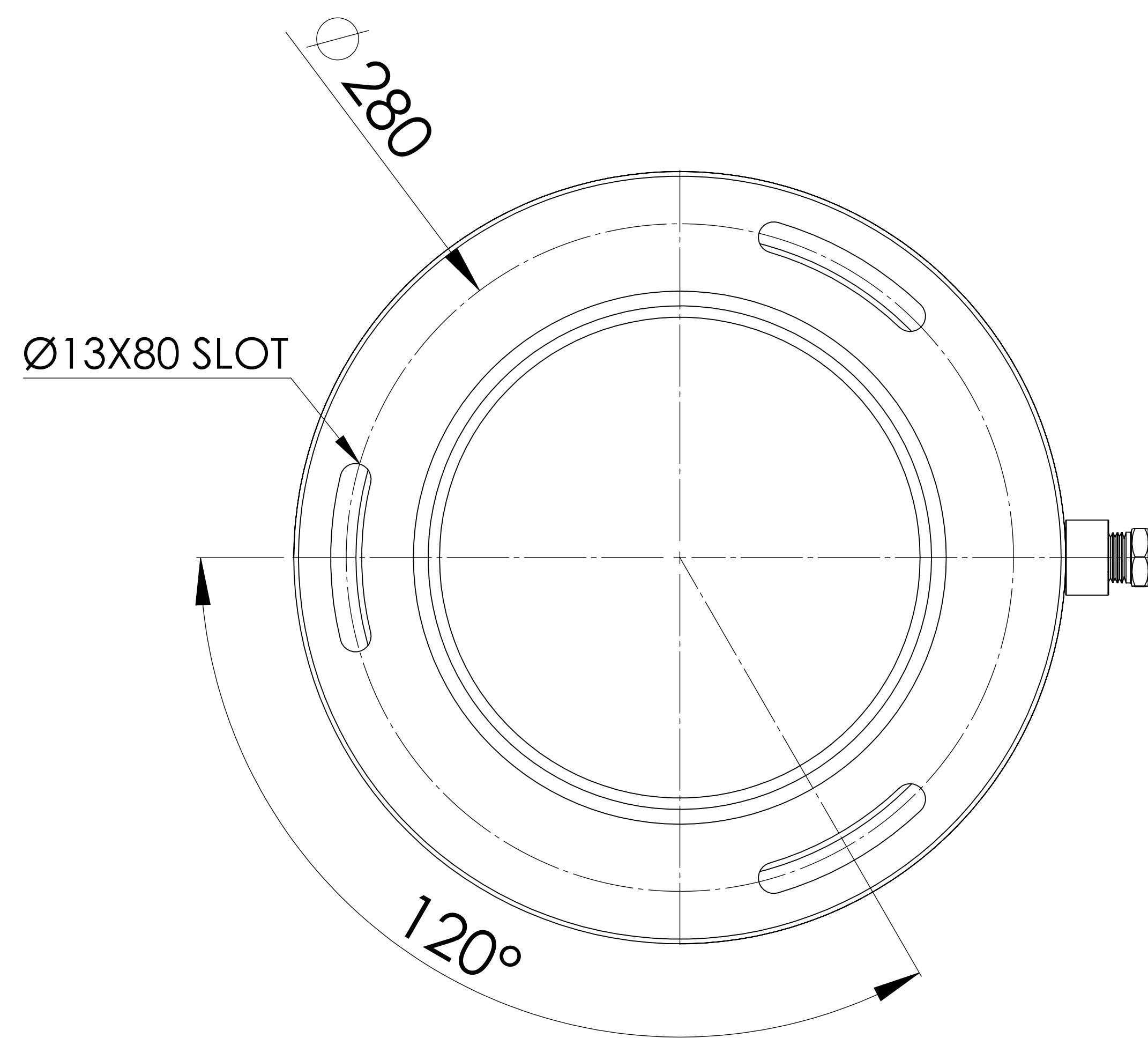
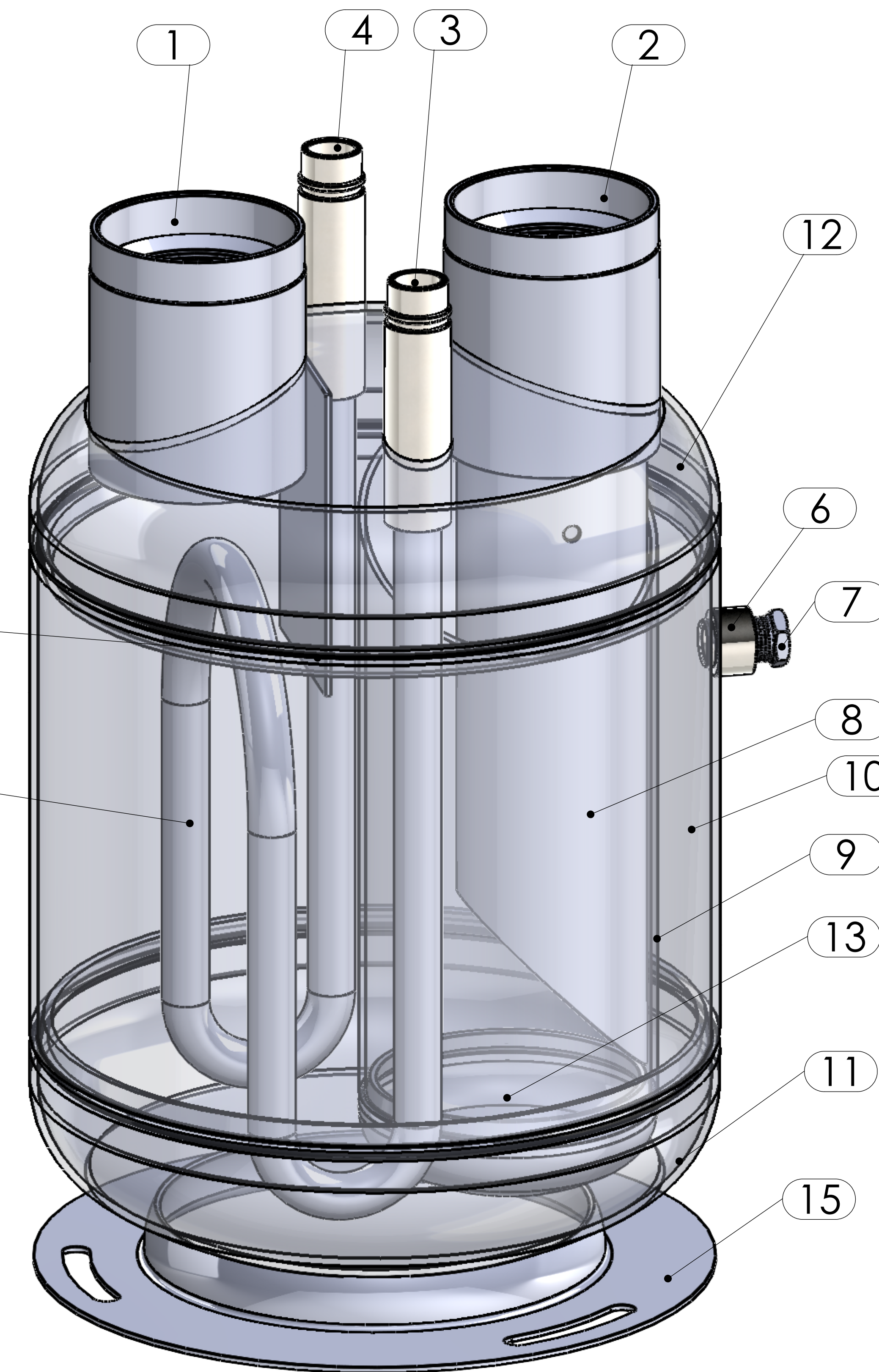
Detail: A  
2 : 1.7



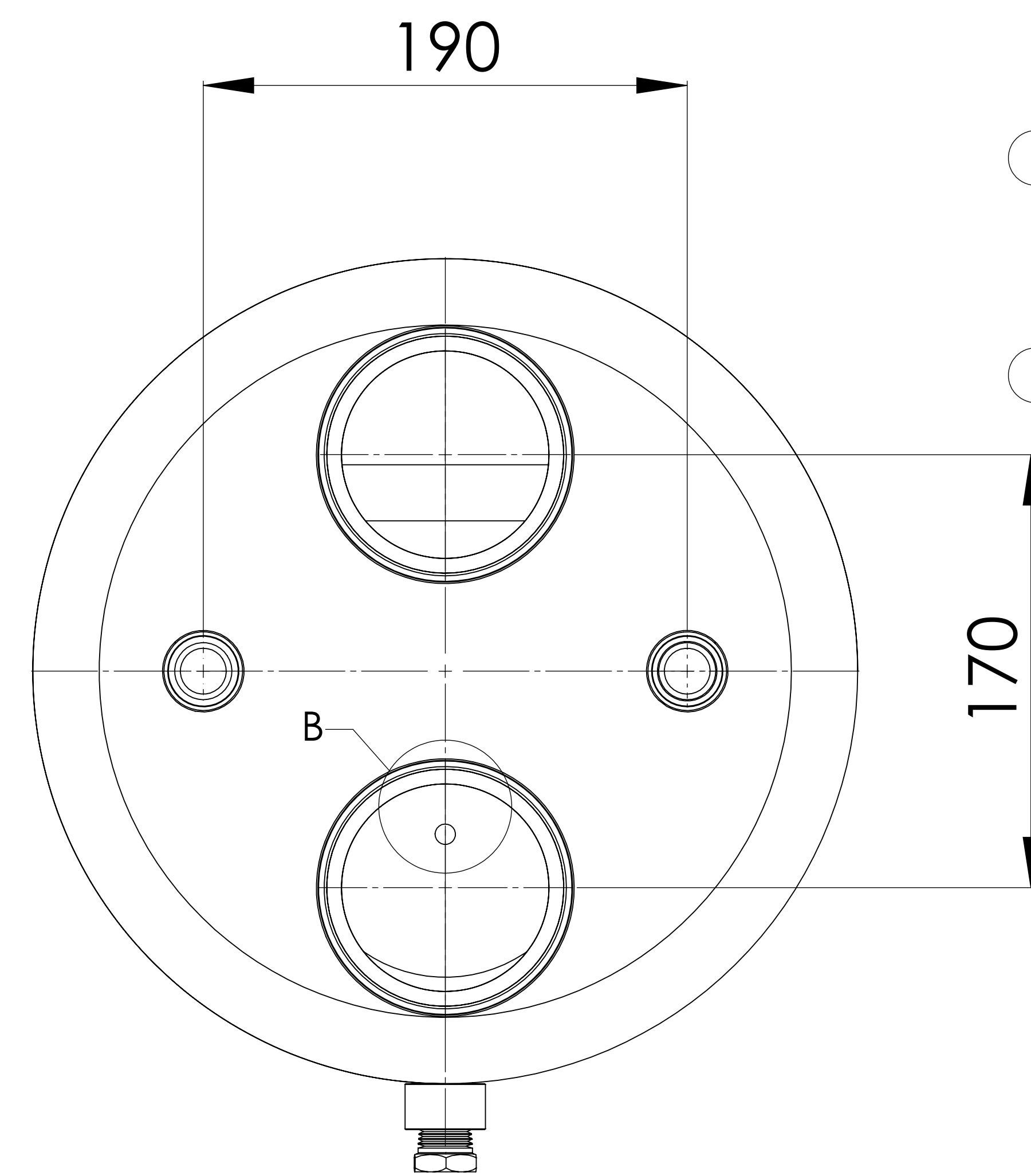
Detail: B  
2 : 1.7

ÇIKIŞ BORUSU DETAY

ÇIKIŞ BORUSU DELİK ÖLÇÜLERİ



BOTTOM VIEW



TOP VIEW