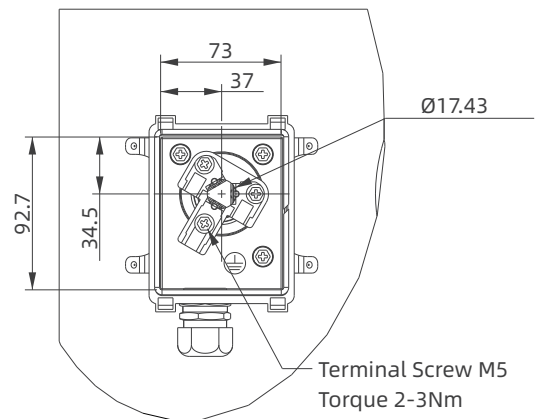
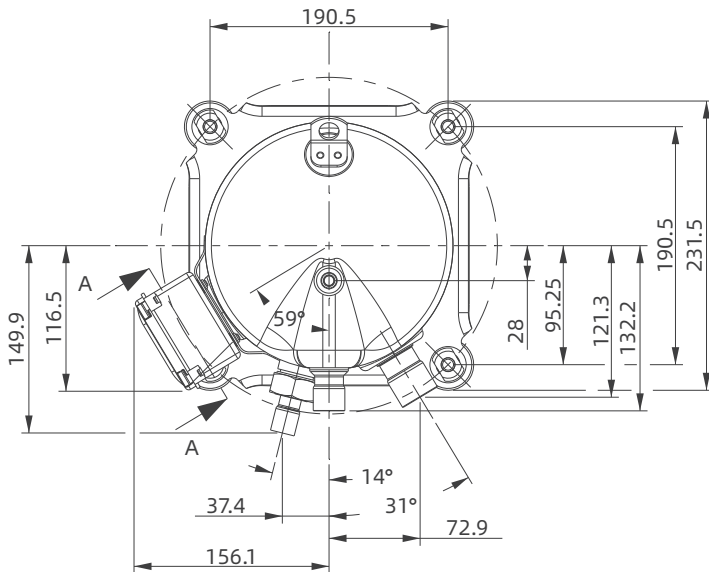


YM Series

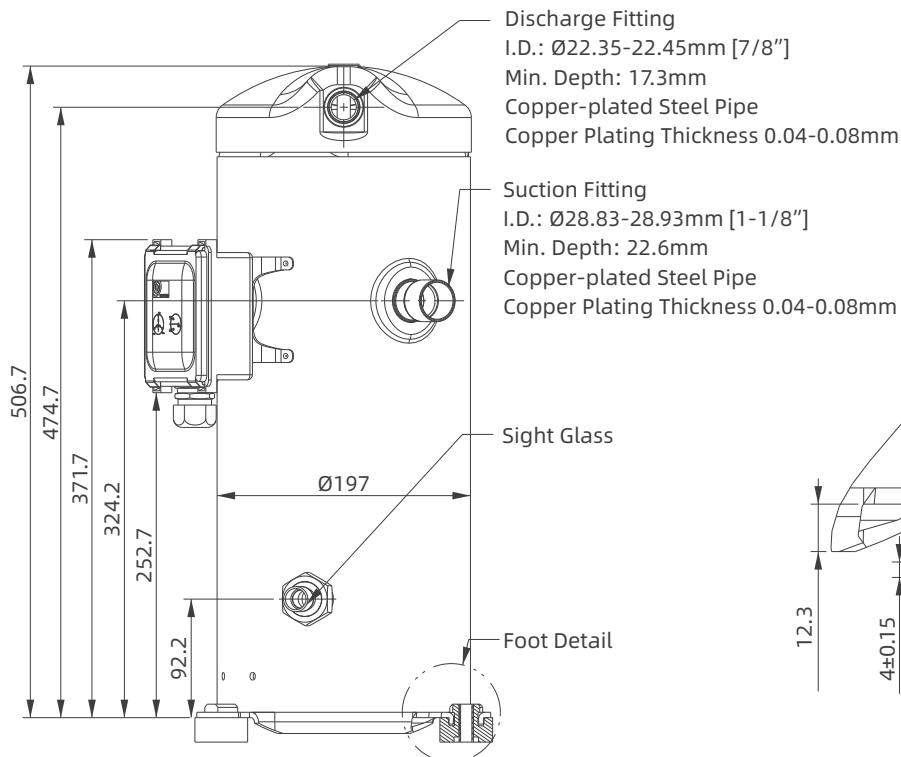
Product Dimensions

8-13 HP



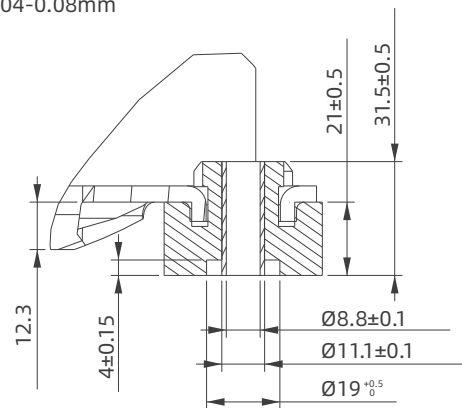
Terminal Screw M5
Torque 2-3Nm

T-Box Layout
View A-A



Discharge Fitting
I.D.: $\text{Ø}22.35\text{-}22.45\text{mm}$ [7/8"]
Min. Depth: 17.3mm
Copper-plated Steel Pipe
Copper Plating Thickness 0.04-0.08mm

Suction Fitting
I.D.: $\text{Ø}28.83\text{-}28.93\text{mm}$ [1-1/8"]
Min. Depth: 22.6mm
Copper-plated Steel Pipe
Copper Plating Thickness 0.04-0.08mm



Foot Detail