

**GVN STANDART PRODUCT**

**Customer**

**FILTER DRIER SHELLS**

**Product**

**H48.60B.12.1**

**Code**

**Customer Code**

**DESIGN DATA**

Capacity [Lt.]	1,6 Lt.
Design Pressure [PS]	60 Bar
Pneumatic Test Pressure [PT]	66 Bar
Hydraulic Test Pressure	86 Bar
Design Temperature [TS]	Min.-20C / Max.+130C
Cooler Fluid Type	HFC-CFC-HCFC-R744
Fluid Group	2
Category	CAT I / A
Desing Calculation	EN 14276-1/EN 13445-3
Welded Joint Efficiency	0.85
Material Group (Shell / Head)	1.2
Testing Group	3b
Corrasion Allowance	0,5 mm
Ndt	10%
Packaging Size & Weight	00*00*00 & 00 Kg.
Drawed By	Ö.TÜRKER
Approved By	D.GÜL
Date	03.04.2023
Color	RAL 5009

**MATERIAL DATA**

No	Connection	Model	Code	Material	Qty
1	Inlet Connection	ODS 1/2" H:30	106.060.B03.000.005	Ø20 ST44-E275	1
2	Outlet Connection	ODS 1/2" H:30	106.060.B03.000.005	Ø20 ST44-E275	1
3	Blind Plug	NPT 1/4"Plug	106.130.F02.001.001	S235	1
4	Shell	Ø114x3 H:159	204.H48.060.012.001	P355GH EN 10028-2	1
5	Flange	Ø159x16	107.060.H48.114.002	P355GH+N	1
6	Flange	Ø159x16	107.060.H48.114.001	P355GH+N	1
7	Head	Ø114x4	202.060.114.H48.003	P355GH-EN10028-2	1
8	Filter holder		M012.000032		1
9	Klingerite Gasket	(Ø114,5-Ø106,5)	108.114.106.000.K01	ASBESTOS FREE GP-150 AFM30-KC	1
10	Washer	M10	109.100.000.000.R01		8
11	Bolt	M10x35	109.100.035.088.C01	8.8	8

**GENERAL NOTES**

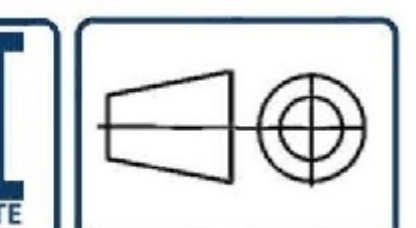
- Max. allowable operating pressure (PS) according to the temperature range:
- 1) Allowable operating temperature : min. -20C° / max. +130C° PS1 = 60 Bar
- 2) Allowable operating temperature : min. -40C° / max. -20C° PS2 = 45 Bar
- Unless otherwise specified do not scale
- Unless otherwise specified tube must be clean&free form burrs inside&outside&uitable for soldering
- Unless otherwise specified do not scale indicated thickness are min. after forming or machining
- Unless otherwise specified dimension tolerances according to EN 113445-4

**REVISIONS**

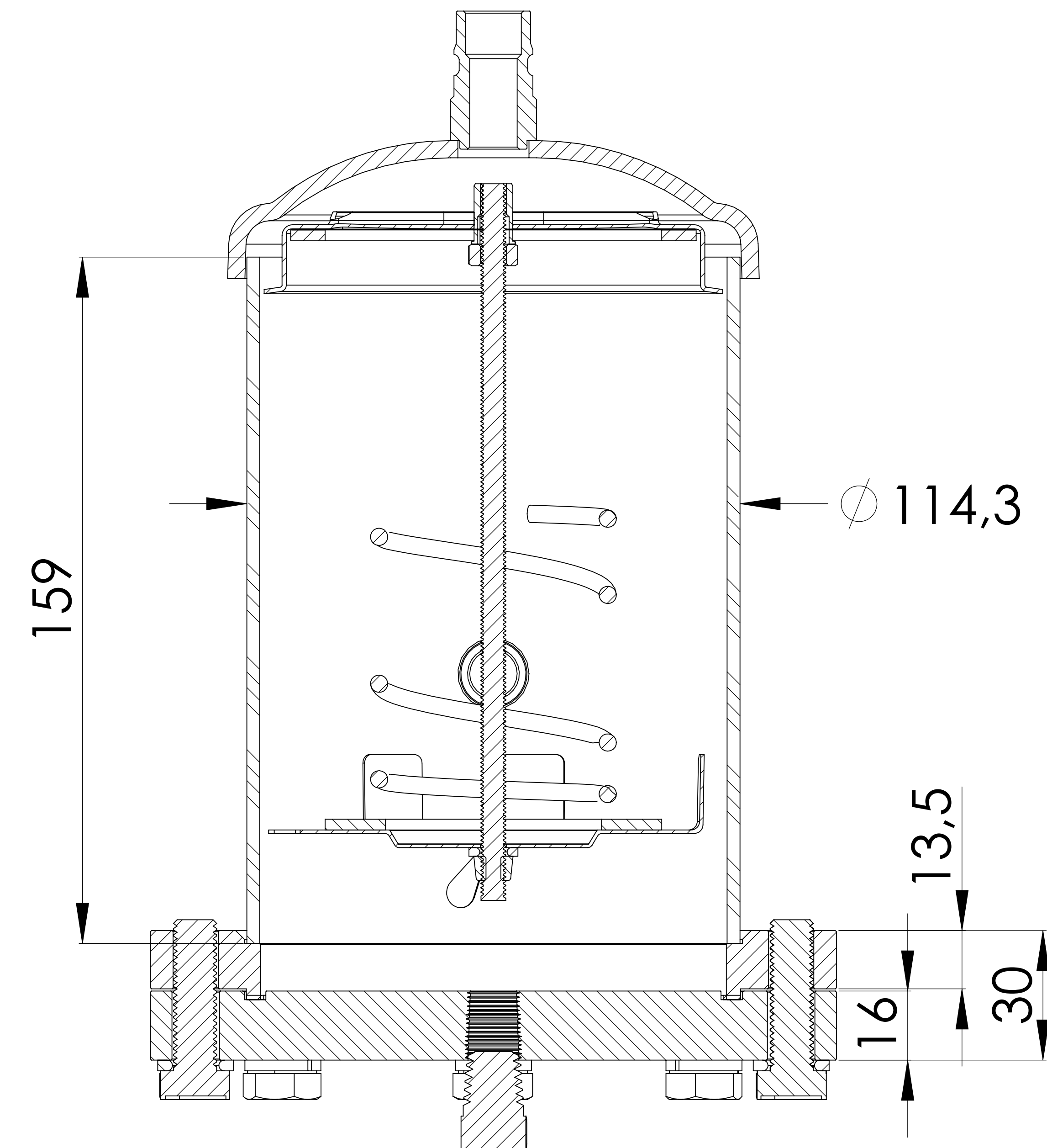
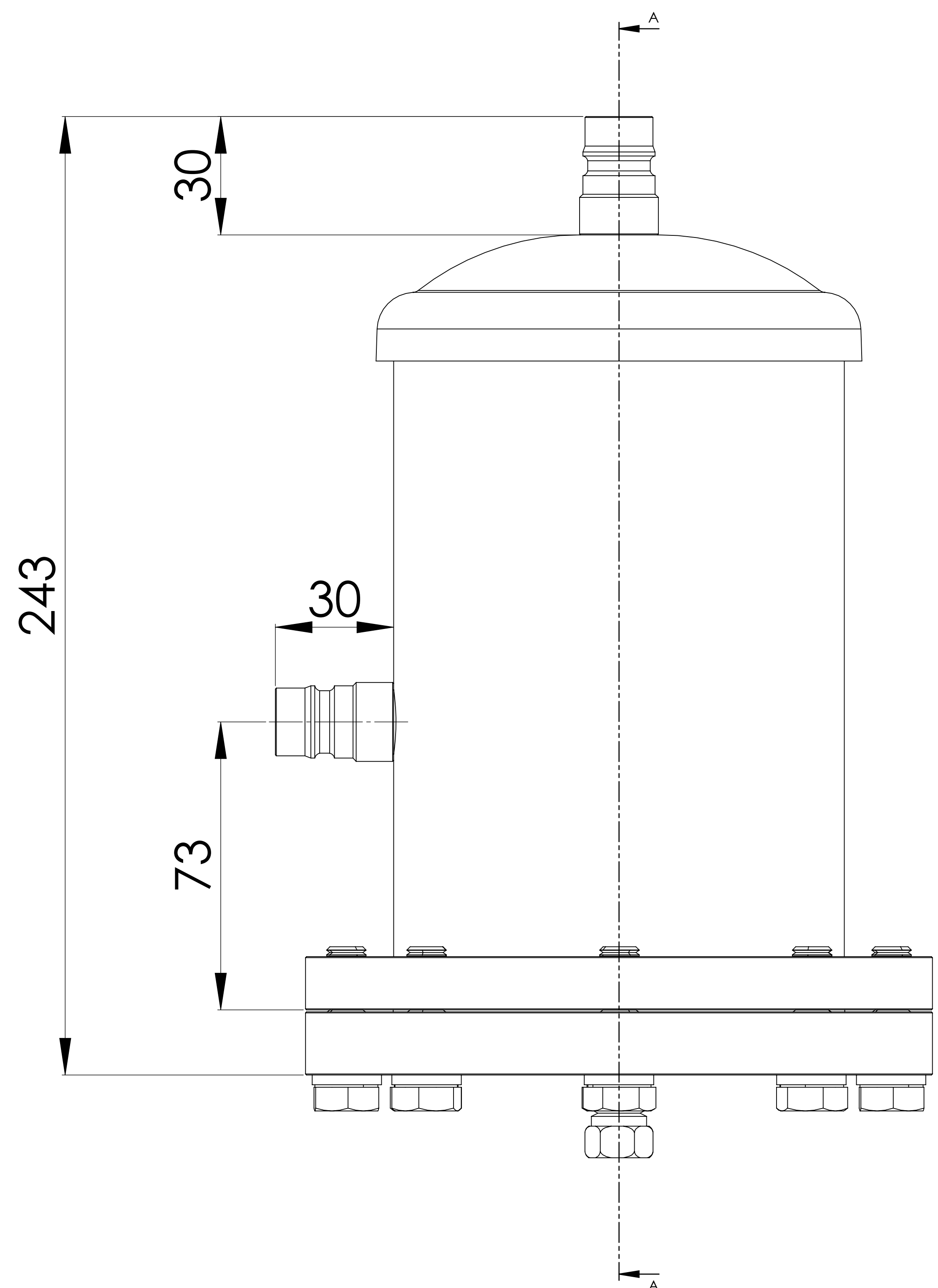
No	Details Of Change	Date	By
01			
02			
03			

**RELATED DRAWINGS**

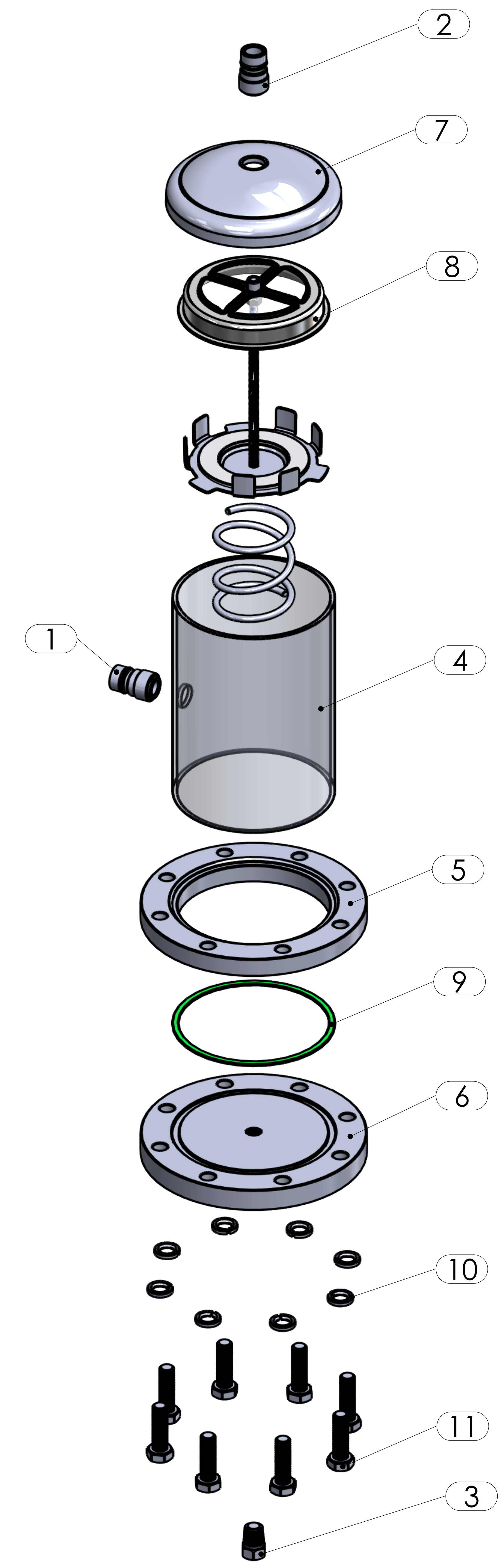
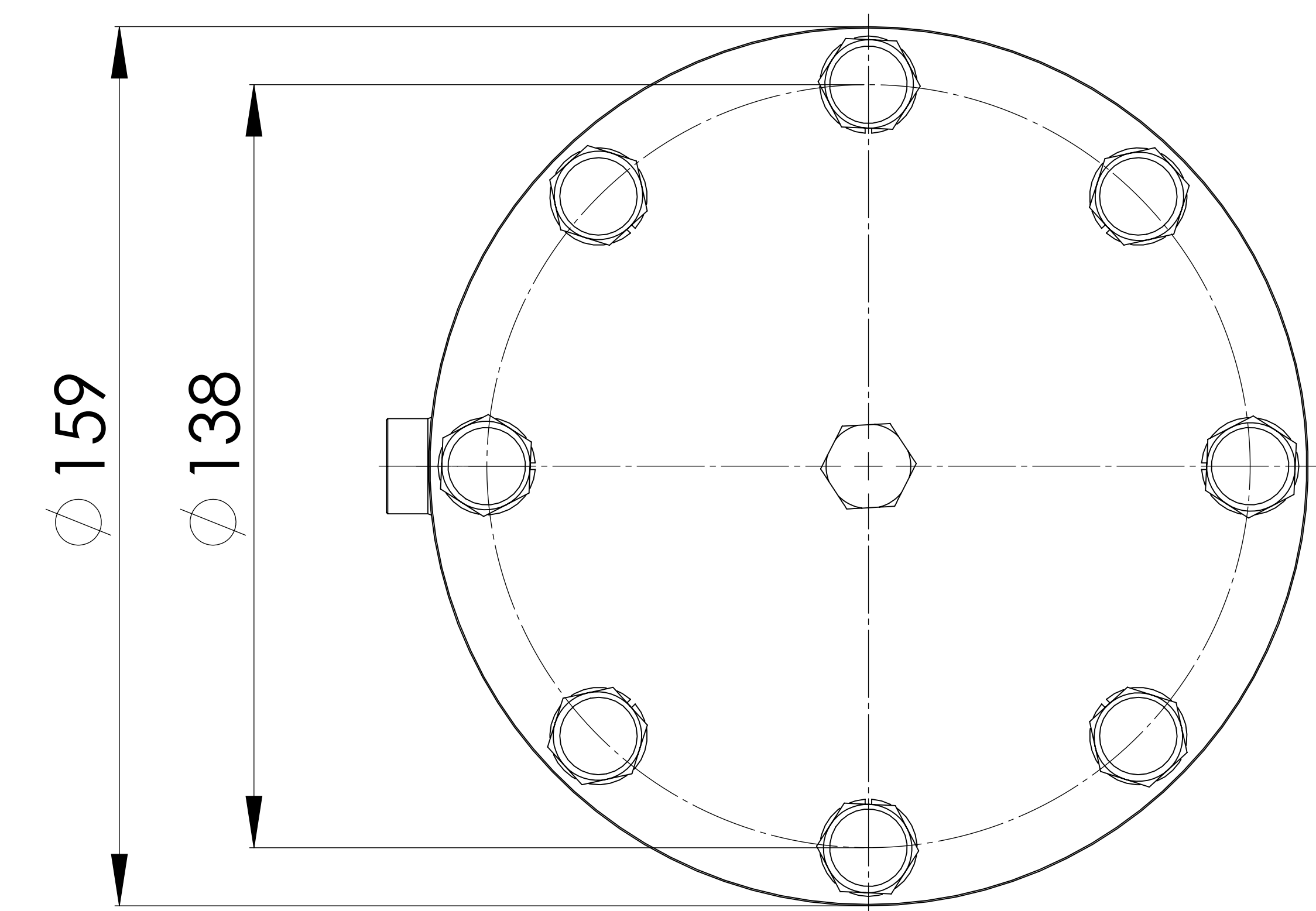
No	Description	Drawing No
01		
02		



We reserve all rights in this document and in the information contained therein. Reproduction use or disclosure to third parties without express authority is strictly forbidden.



KESIT A-A  
ÖLÇEK 1 : 0,8



No	Assembly Codes	Qty
1	M006.000055	1
2	M012.000032	1