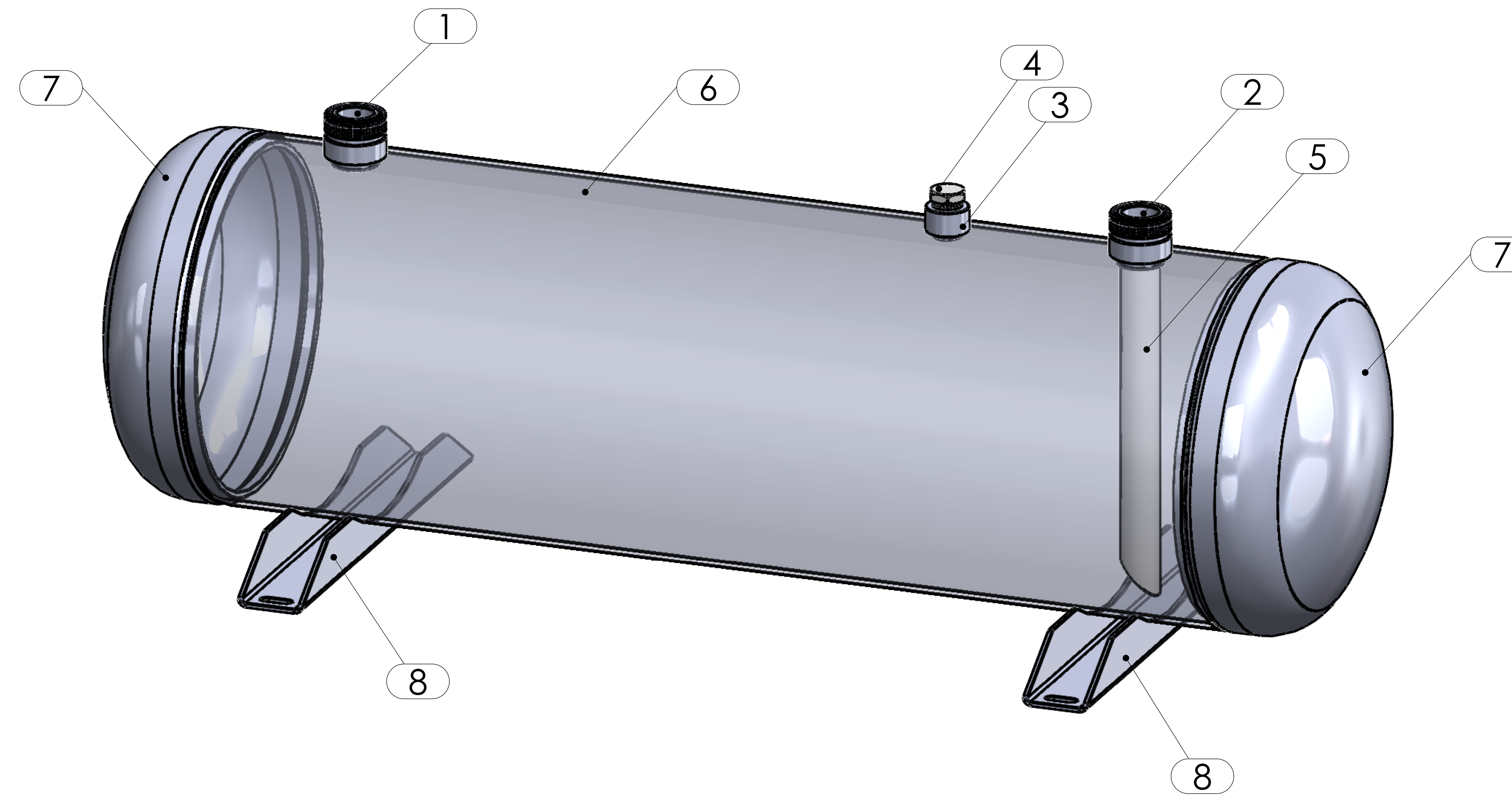


KESİT A-A  
ÖLÇEK 1 : 0.8



|                                    |                      |
|------------------------------------|----------------------|
| <b>GVN STANDART PRODUCT</b>        | <b>Customer</b>      |
| <b>HORIZONTAL LIQUID RECEIVERS</b> | <b>Product</b>       |
| <b>H8A.33b.50.A4.A4.F4</b>         | <b>Code</b>          |
|                                    | <b>Customer Code</b> |

| DESIGN DATA                   |                       |
|-------------------------------|-----------------------|
| Capacity [Lt.]                | 50 Lt.                |
| Design Pressure [PS]          | 33 Bar                |
| Pneumatic Test Pressure [PT]  | 36 Bar                |
| Hydraulic Test Pressure       | 48 Bar                |
| Design Temperature [TS]       | Min.-20C / Max.+130C  |
| Cooler Fluid Type             | HFC-CFC-HCFC          |
| Fluid Group                   | 2                     |
| Category                      | CAT III / H           |
| Desing Calculation            | EN 14276-1/EN 13445-3 |
| Welded Joint Efficiency       | 0.85                  |
| Material Group (Shell / Head) | 1.2                   |
| Testing Group                 | 3b                    |
| Corrasion Allowance           | 0,5 mm                |
| Ndt                           | 10%                   |
| Packaging Size & Weight       | 00*00*00 & 00 Kg.     |
| Drawed By                     | Ö.TÜRKER              |
| Approved By                   | D.GÜL                 |
| Date                          | 06.01.2023            |
| Color                         | RAL 5009              |

| MATERIAL DATA |                    |                 |                     |                     |     |
|---------------|--------------------|-----------------|---------------------|---------------------|-----|
| No            | Connection         | Model           | Code                | Material            | Qty |
| 1             | Inlet Connection   | ROT.1 3/4" H:32 | 106.060.A04.001.001 | E 275               | 1   |
| 2             | Outlet Connection  | ROT.1 3/4" H:32 | 106.060.A04.001.001 | E 275               | 1   |
| 3             | Safety Valve Conn. | NPT 1/2" H:18   | 106.060.F04.000.001 | E275-S144           | 1   |
| 4             | Blind Plug         | NPT 1/2" Plug   | 106.130.F04.001.001 | E275                | 1   |
| 5             | Pipe               | Ø28,5x1,5 H:265 | 104.028.015.000.265 | E235                | 1   |
| 6             | Shell              | Ø273x4 H:780    | 204.H08.33B.050.001 | EN10217-3<br>P355NH | 1   |
| 7             | Head - Torispheric | Ø273x4 H:95     | 101.045.273.001.000 | P355GH<br>EN10028-2 | 2   |
| 8             | Foot               | 350x50x40,5 t:3 | 105.002.273.001.001 | EN10111-<br>DD13    | 2   |

**GENERAL NOTES**

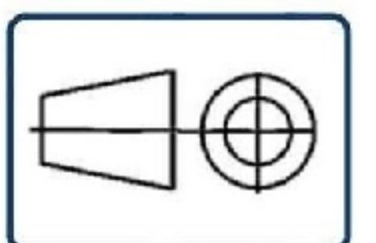
- Max. allowable operating pressure [PS] according to the temperature range;
- 1) Allowable operating temperature : min. -20C° / max. +130C° PS1 = 33 Bar
- 2) Allowable operating temperature : min. -20C° / max. -40C° PS2 = 24 Bar
- Unless otherwise specified dimensions in MM
- Unless otherwise specified do not scale
- Unless otherwise specified tube must be clean&free from burrs inside&outside&uitable for soldering
- Unless otherwise specified do not scale indicated thickness are min. after forming or machining
- Unless otherwise specified dimension tolerances according to EN 113445-4

**REVISIONS**

| No | Details Of Change | Date | By |
|----|-------------------|------|----|
| 01 |                   |      |    |
| 02 |                   |      |    |
| 03 |                   |      |    |

**RELATED DRAWINGS**

| No | Description | Drawing No |
|----|-------------|------------|
| 01 |             |            |
| 02 |             |            |



| No | Assembly Codes | Qty |
|----|----------------|-----|
| 1  | M002.000036    | 1   |