

**GVN STANDART PRODUCT** **Customer**

**HORIZONTAL LIQUID RECEIVER** **Product**

**HLR.A.30b.04.B2.C2** **Code**

**Customer Code**

**DESIGN DATA**

|                               |                       |
|-------------------------------|-----------------------|
| Capacity [Lt.]                | 4 Lt.                 |
| Design Pressure [PS]          | 30 Bar                |
| Pneumatic Test Pressure [PT]  | 33 Bar                |
| Hydraulic Test Pressure       | 43 Bar                |
| Design Temperature [TS]       | Min.-20C / Max.+130C  |
| Cooler Fluid Type             | HFC-CFC-HCFC          |
| Fluid Group                   | 2                     |
| Category                      | CAT I / A             |
| Desing Calculation            | EN 14276-1/EN 13445-3 |
| Welded Joint Efficiency       | 0.85                  |
| Material Group (Shell / Head) | 1.2                   |
| Testing Group                 | 3b                    |
| Corrasion Allowance           | 0,5 mm                |
| Ndt                           | 10%                   |
| Packaging Size & Weight       | 00*00*00 & 00 Kg.     |
| Drawed By                     | Ö.TÜRKER              |
| Approved By                   | D.GÜL                 |
| Date                          | 04.01.2023            |
| Color                         | RAL 5009              |

**MATERIAL DATA**

| No | Connection        | Model          | Code                | Material        | Qty |
|----|-------------------|----------------|---------------------|-----------------|-----|
| 1  | Inlet Connection  | ODS 3/8" H:30  | 106.060.B02.000.004 | ST44-E275       | 1   |
| 2  | Outlet Connection | ROT. 1" H:25   | 106.060.A02.001.001 | E275-ST44       | 1   |
| 3  | Outlet Valve      | RV.45b-3/8     | -RVA 1              |                 | 1   |
| 4  | Deep Drawn        | Ø140x2,5 H:145 | 203.040.002.002.001 | EN10111-DD13    | 1   |
| 5  | Deep Drawn        | Ø140x2,5 H:145 | 203.040.001.002.001 | EN10111-DD13    | 1   |
| 6  | Pipe              | Ø13x1 H:128    | 104.013.010.000.128 | E235            | 1   |
| 7  | Base Plate        | 80x80x3        | 105.001.140.001.001 | 1.0037 (S235JR) | 2   |

**GENERAL NOTES**

-Max. allowable operating pressure (PS) according to the temperature range:  
 1) Allowable operating temperature : min. -20C° / max. +130C° PS1 = 30 Bar  
 2) Allowable operating temperature : min. -20C° / max. -40C° PS2 = 22 Bar  
 -Unless otherwise specified dimensions in MM  
 -Unless otherwise specified do not scale  
 -Unless otherwise specified tube must be clean&free form burrs inside&outside&uitable for soldering  
 -Unless otherwise specified do not scale indicated thickness are min. after forming or machining  
 -Unless otherwise specified dimension tolerances according to EN 113445-4

**REVISIONS**

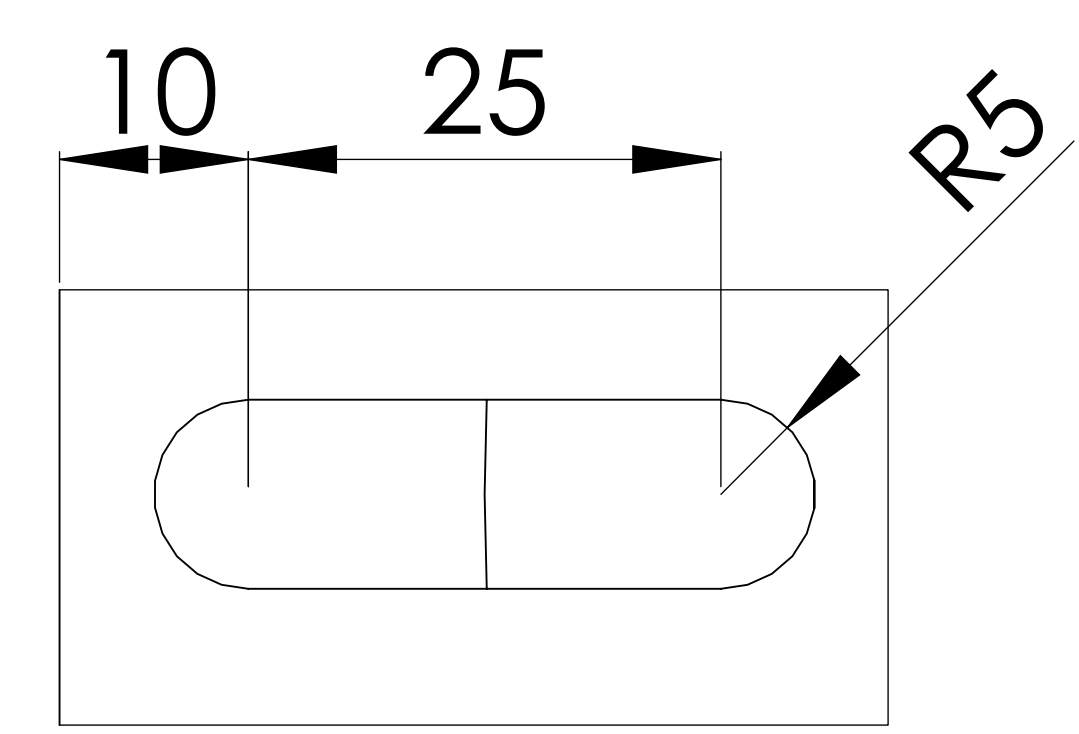
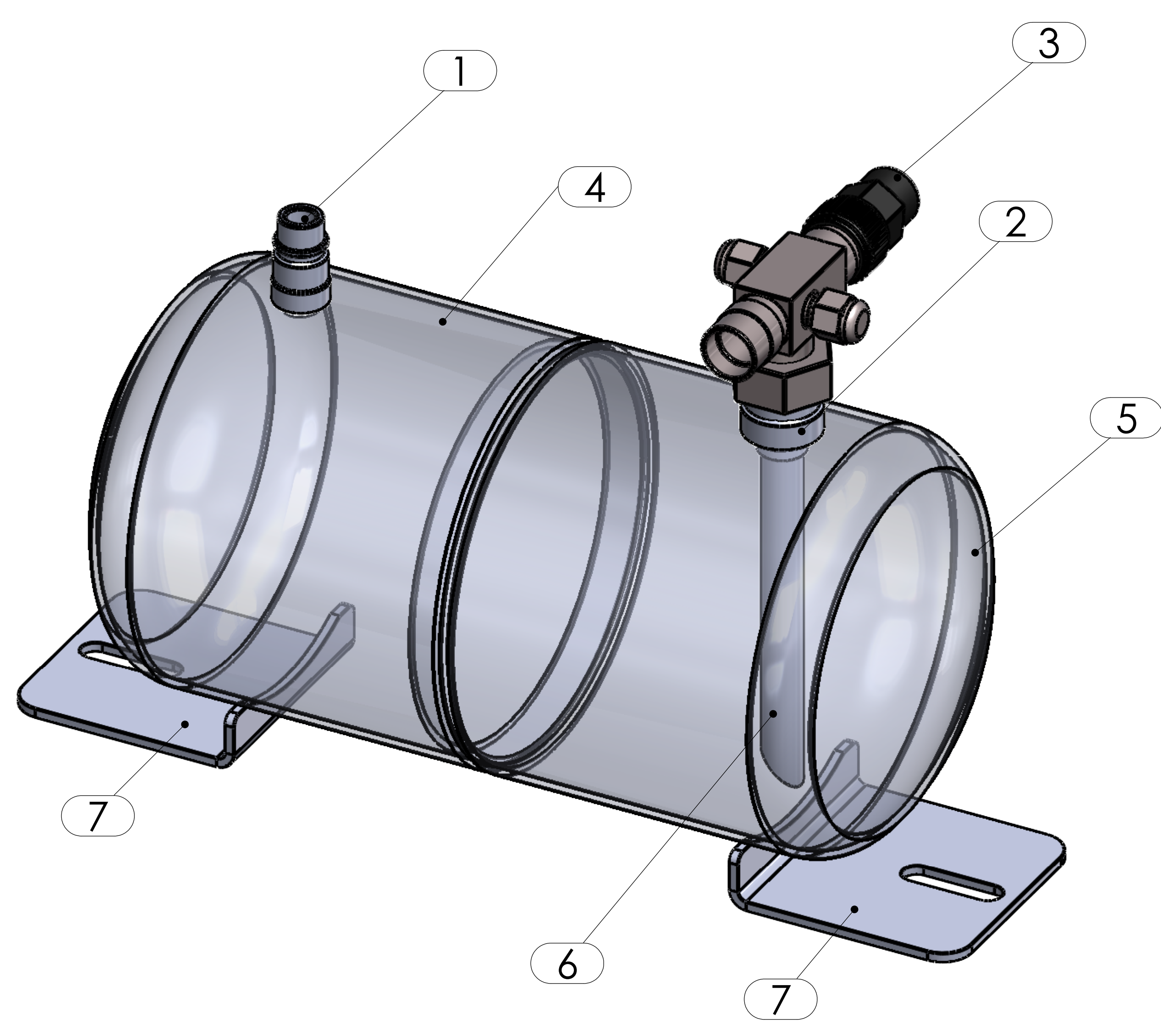
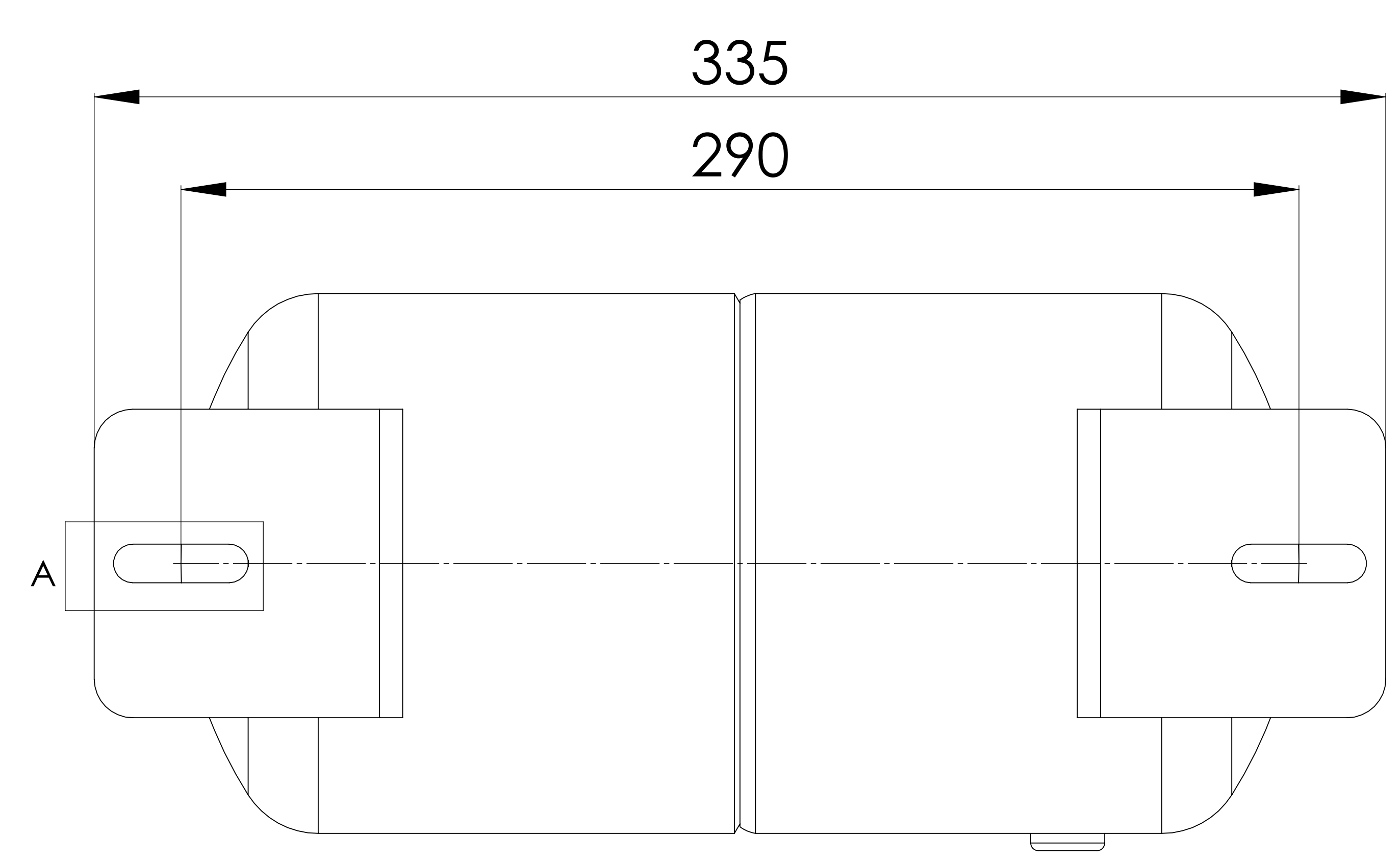
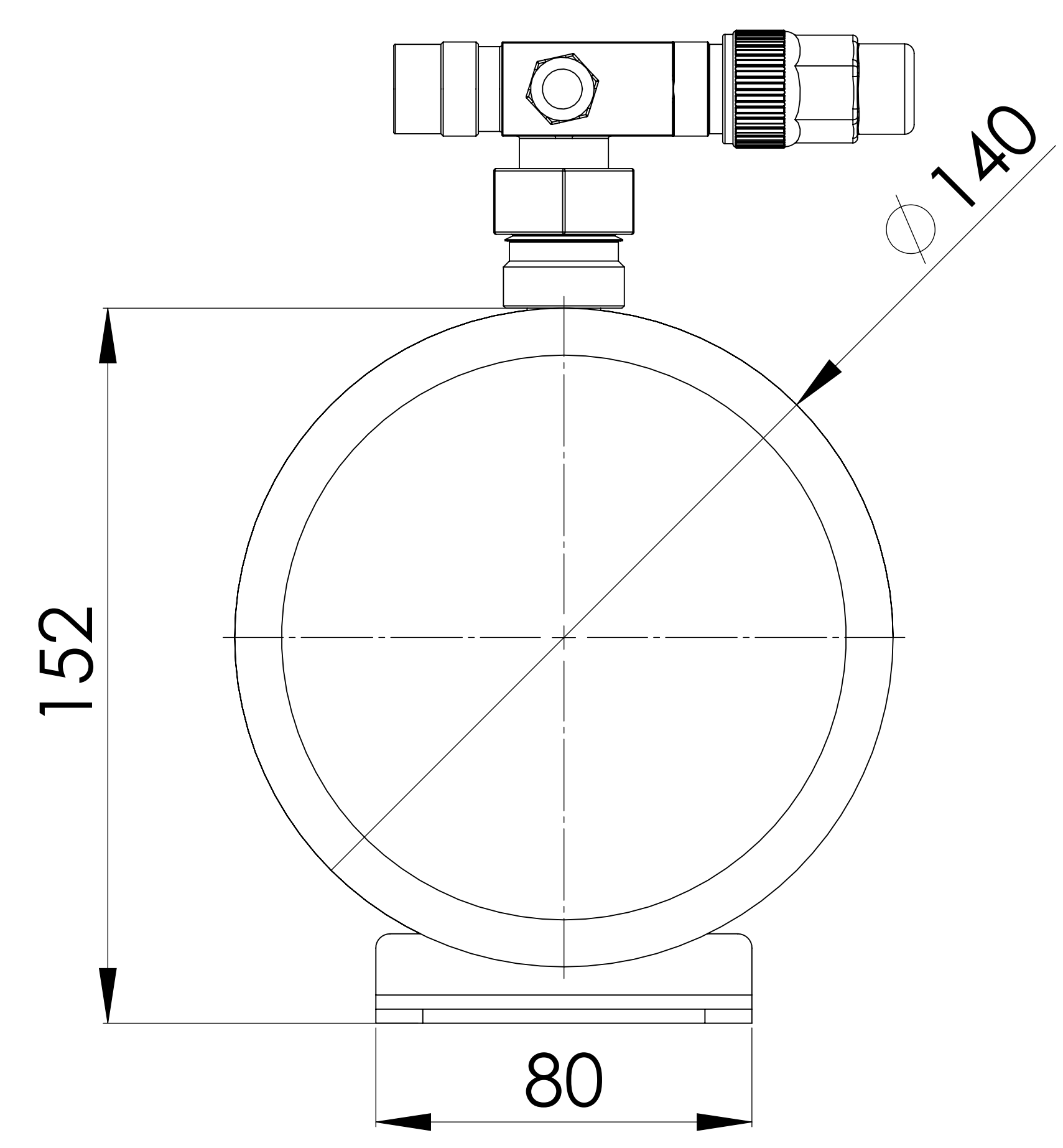
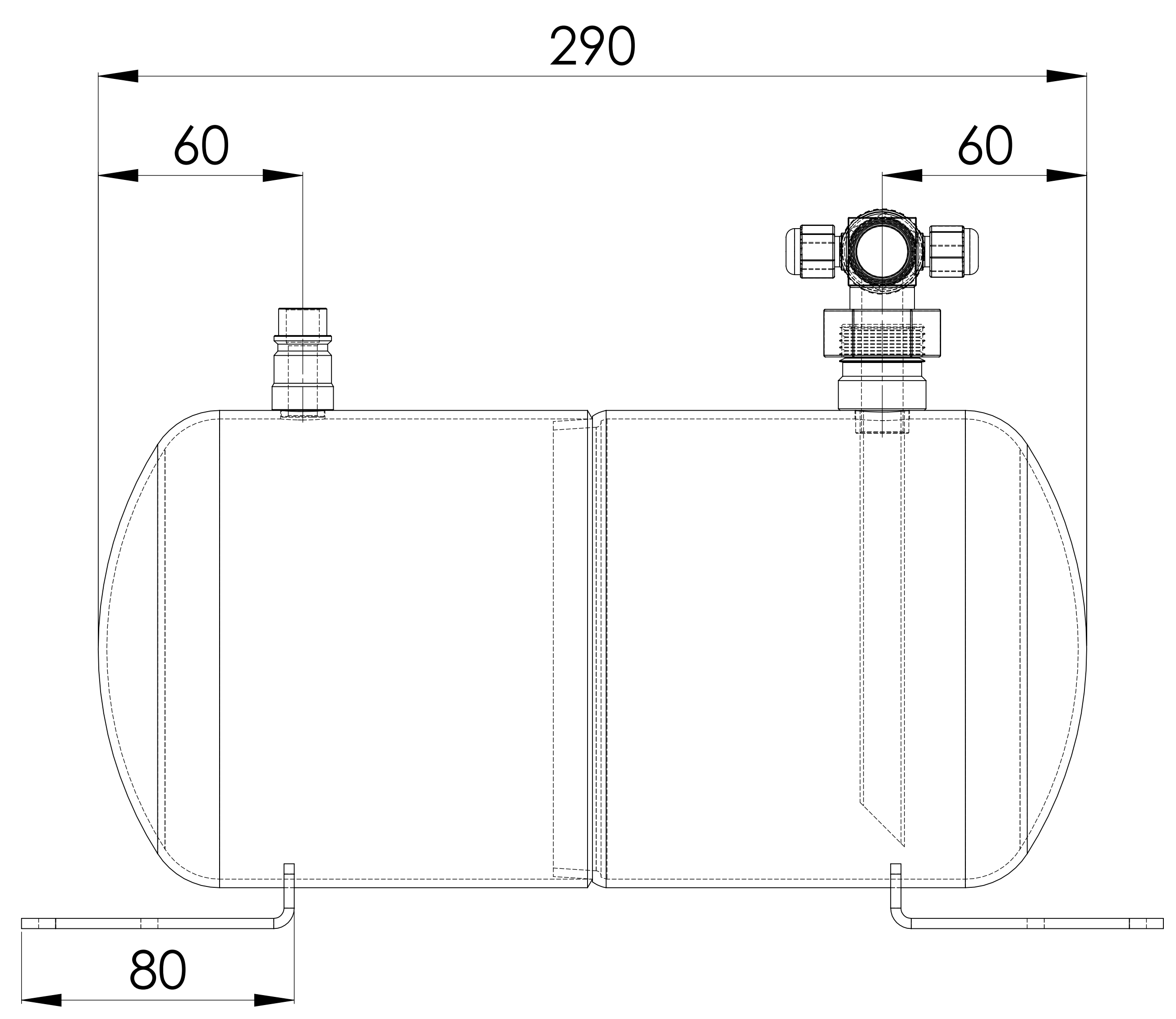
| No | Details Of Change | Date | By |
|----|-------------------|------|----|
| 01 |                   |      |    |
| 02 |                   |      |    |
| 03 |                   |      |    |

**RELATED DRAWINGS**

| No | Description | Drawing No |
|----|-------------|------------|
| 01 |             |            |
| 02 |             |            |



We reserve all rights in this document and in the information contained therein. Reproduction use or disclosure to third parties without express authority is strictly forbidden.



Detail: A

| No | Assembly Codes | Qty |
|----|----------------|-----|
| 1  | M002.000004    | 1   |