

**GVN STANDART PRODUCT** **Customer**

**HORIZONTAL LIQUID RECEIVER** **Product**

**HLR.A.30b.12.B4.C4.F4** **Code**

**Customer Code**

**DESIGN DATA**

Capacity [Lt.]	12 Lt.
Design Pressure [PS]	30 Bar
Pneumatic Test Pressure [PT]	33 Bar
Hydraulic Test Pressure	43 Bar
Design Temperature [TS]	Min.-20C / Max.+130C
Cooler Fluid Type	HFC-CFC-HCFC
Fluid Group	2
Category	CAT II / D1
Desing Calculation	EN 14276-1/EN 13445-3
Welded Joint Efficiency	0.85
Material Group (Shell / Head)	1.2
Testing Group	3b
Corrasion Allowance	0,5 mm
Ndt	10%
Packaging Size & Weight	00*00*00 & 00 Kg.
Drawed By	Ö.TÜRKER
Approved By	D.GÜL
Date	04.01.2023
Color	RAL 5009

**MATERIAL DATA**

No	Connection	Model	Code	Material	Qty
1	Inlet Connection	ODS 5/8" H:33	106.060.B04.000.007	ST44-E275	1
2	Outlet Connection	ROT. 1" H:25	106.060.A02.001.001	E275-ST44	1
3	Outlet Valve	RV.45b-5/8	-RVA 1		1
4	Safety Valve Conn.	NPT 1/2" H:18	106.060.F04.000.001	E275-ST44	1
5	Blind Plug	NPT 1/2" Plug	106.130.F04.001.001	E275	1
6	Deep Drawn	Ø219x2,5 H:175	203.120.002.002.001	EN10111-DD13	1
7	Deep Drawn	Ø219x2,5 H:170	203.120.001.002.001	EN10111-DD13	1
8	Pipe	Ø13x1 H:207	104.013.010.000.207	E235	1
9	Base Plate	100x100x3	105.001.219.001.001	1-0037 (S235JR)	2

**GENERAL NOTES**

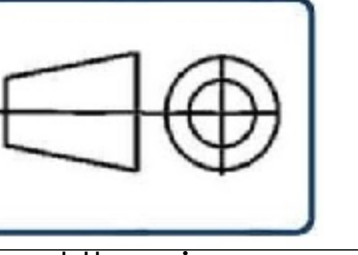
-Max. allowable operating pressure [PS] according to the temperature range;  
 1) Allowable operating temperature : min. -20C° / max. +130C° PS1 = 30 Bar  
 2) Allowable operating temperature : min. -20C° / max. -40C° PS2 = 22 Bar  
 -Unless otherwise specified dimensions in MM  
 -Unless otherwise specified do not scale  
 -Unless otherwise specified tube must be clean&free from burrs inside&outside&uitable for soldering  
 -Unless otherwise specified do not scale indicated thickness are min. after forming or machining  
 -Unless otherwise specified dimension tolerances according to EN 113445-4

**REVISIONS**

No	Details Of Change	Date	By
01			
02			
03			

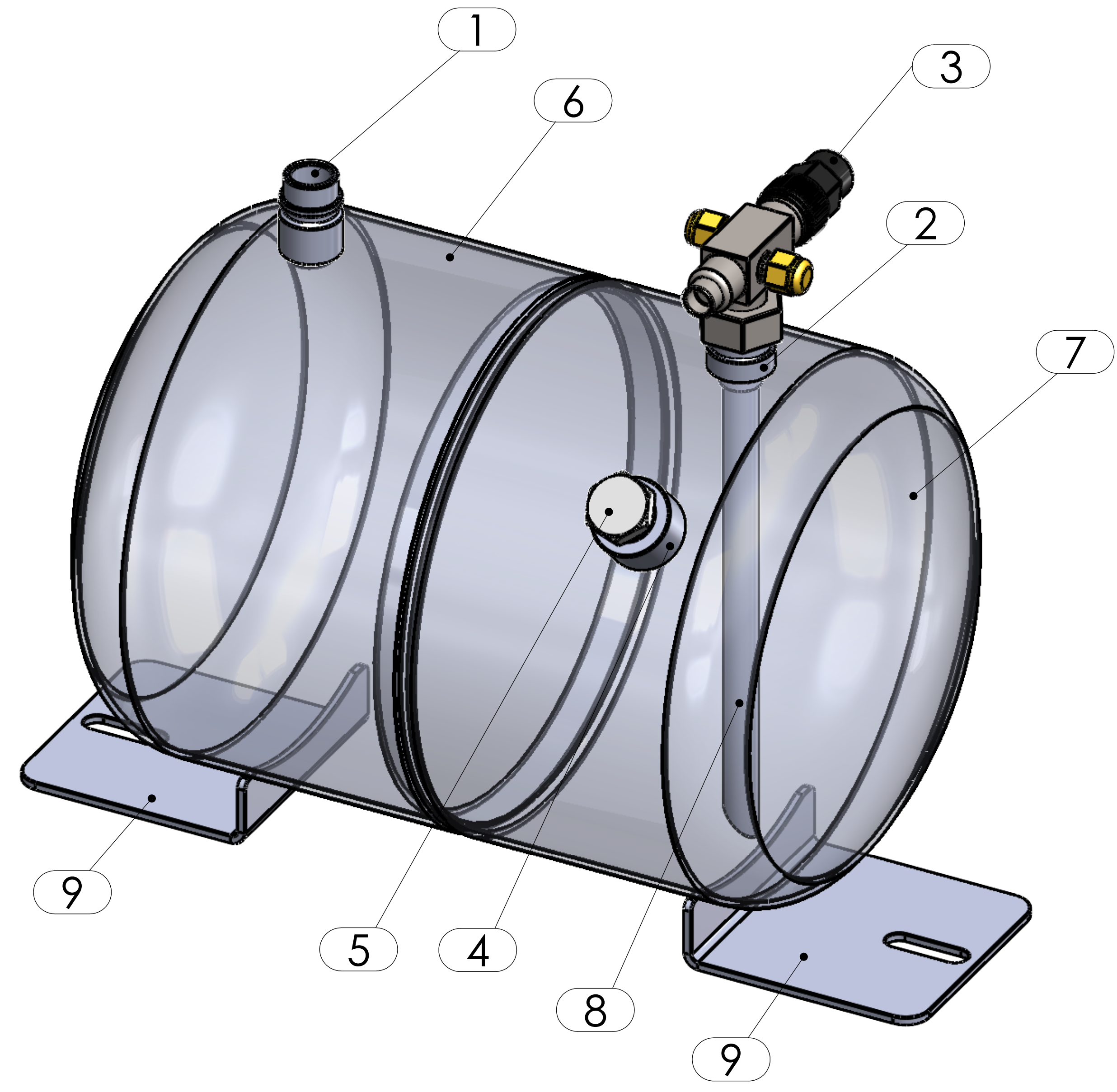
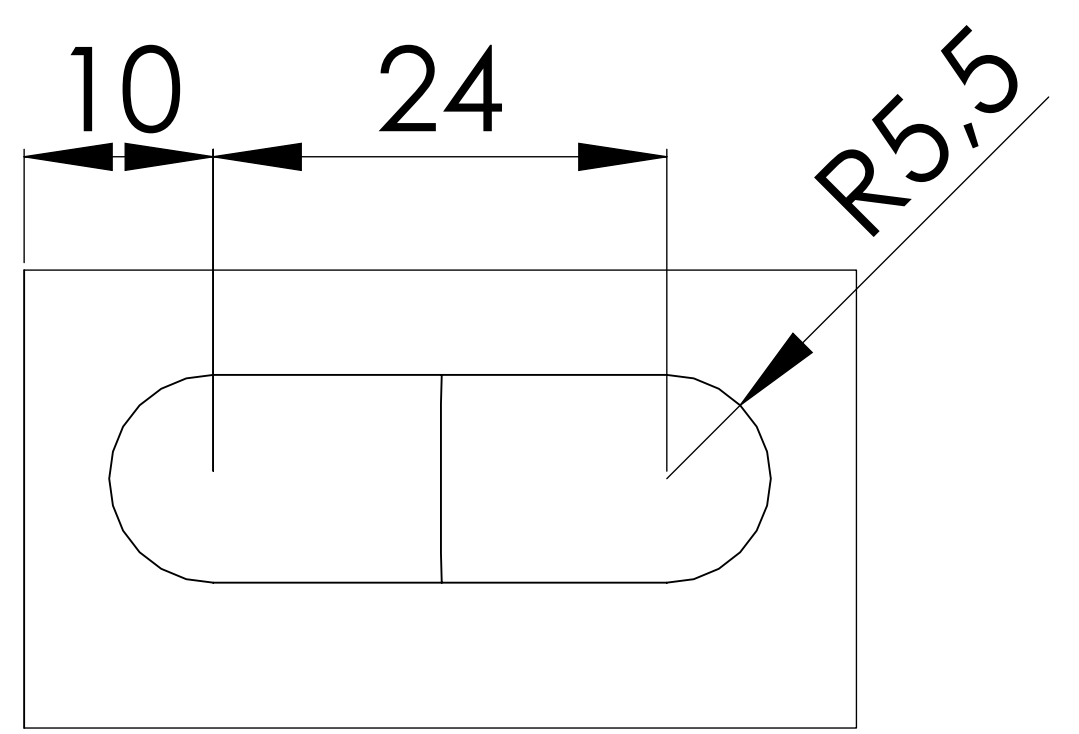
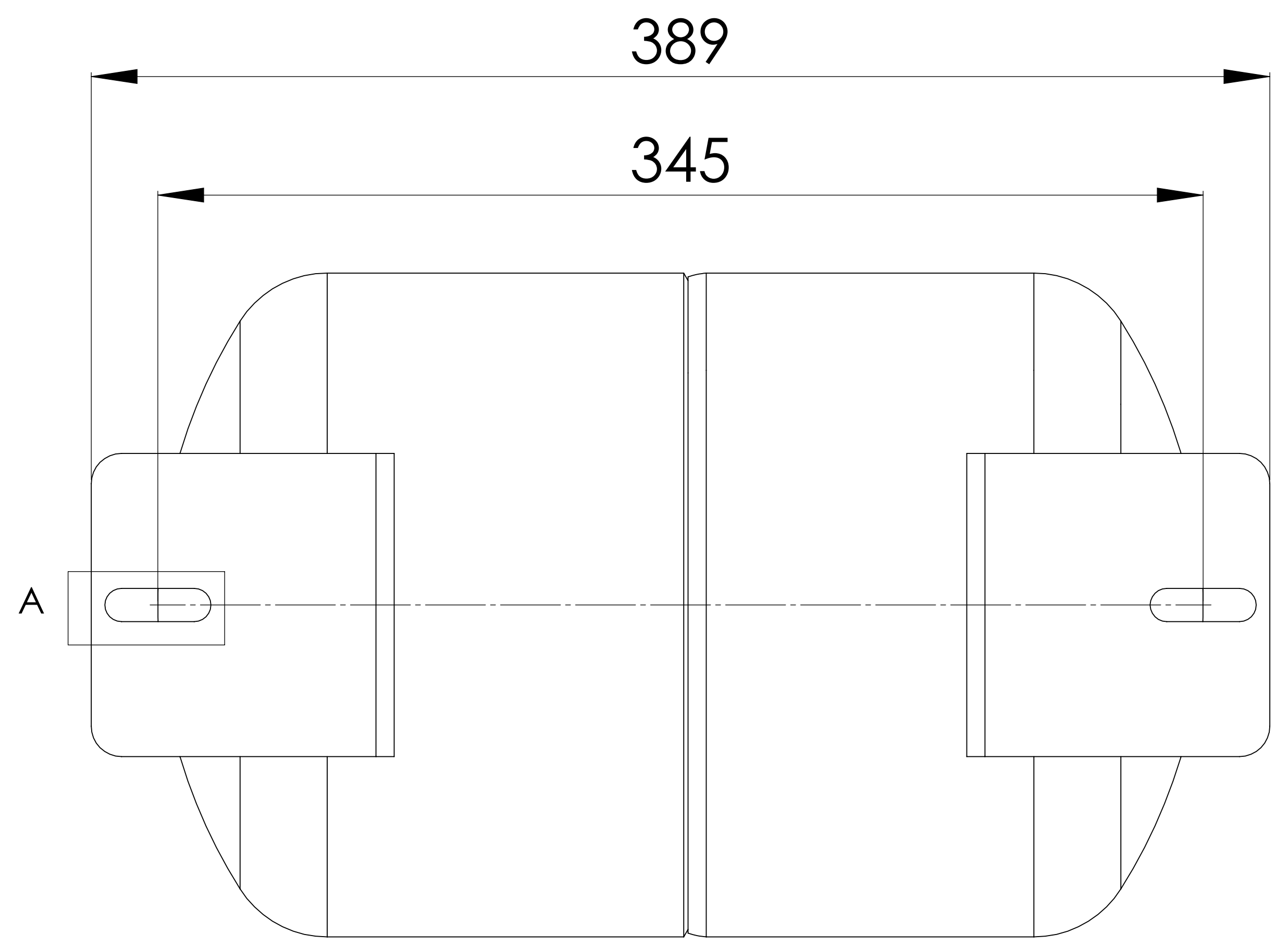
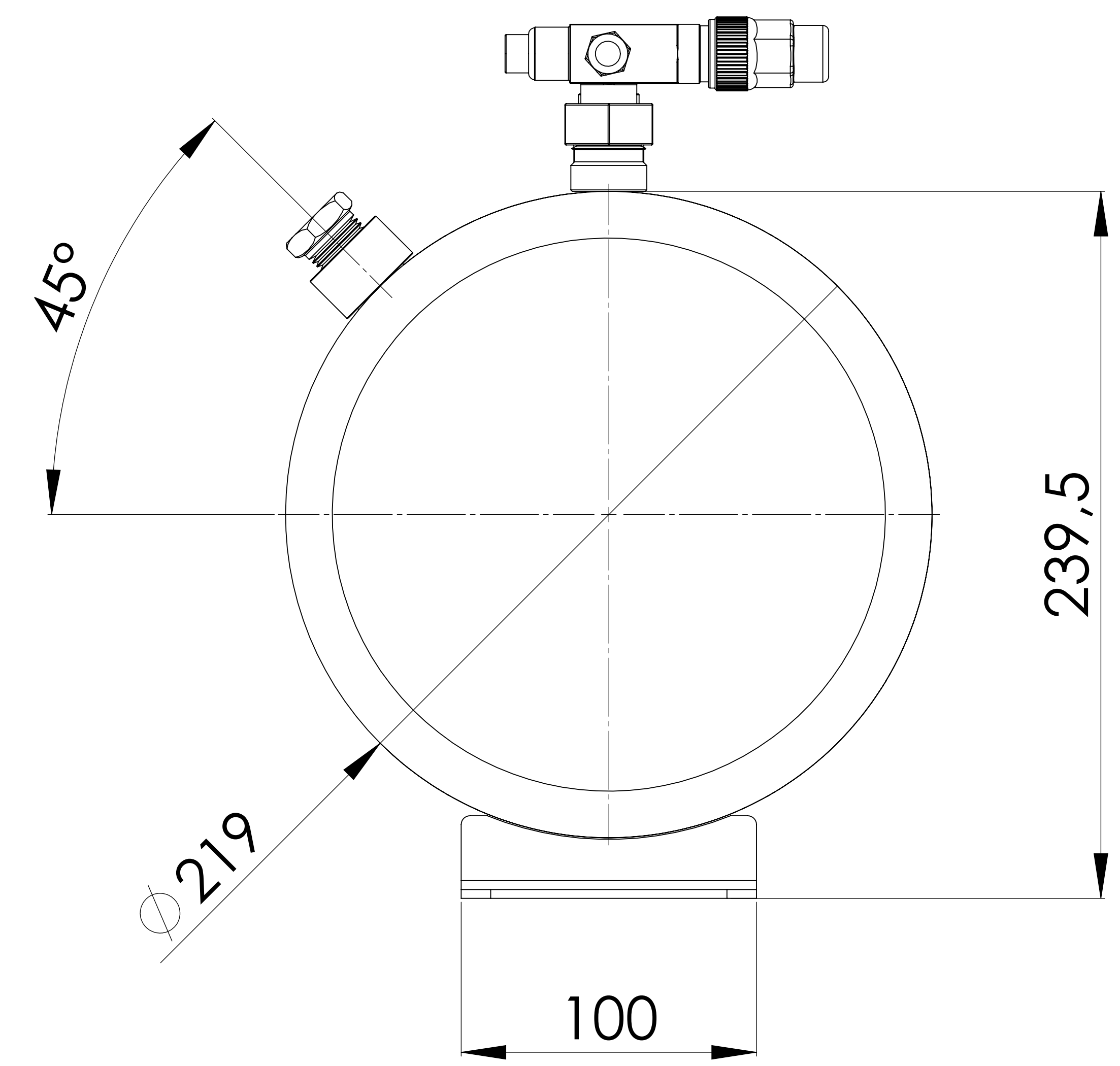
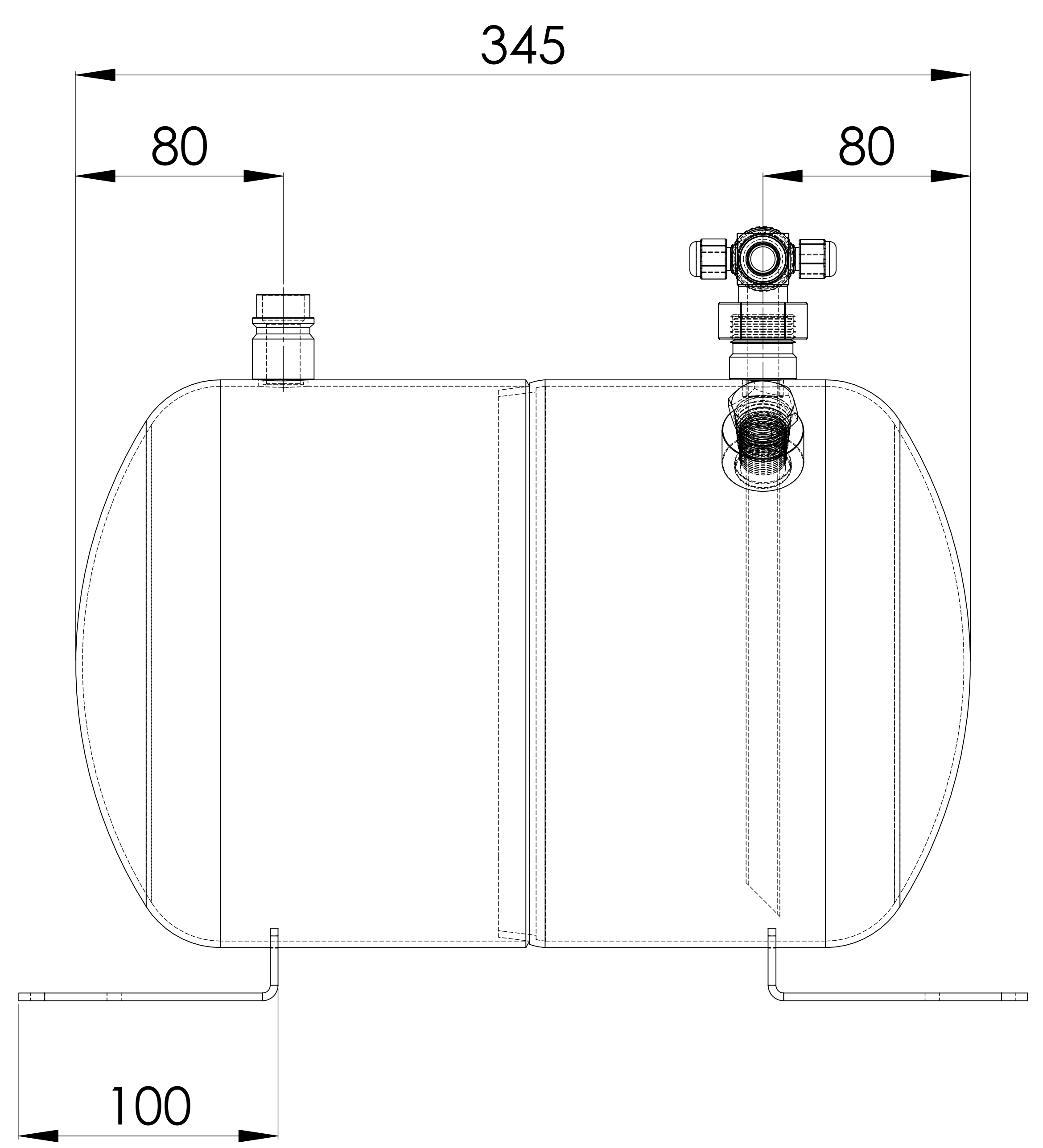
**RELATED DRAWINGS**

No	Description	Drawing No
01		
02		



No	Assembly Codes	Qty
1	M002.000011	1

We reserve all rights in this document and in the information contained therein. Reproduction use or disclosure to third parties without express authority is strictly forbidden.



Detail: A