

**GVN STANDART PRODUCT** **Customer**

**UNIVERSAL LIQUID RECEIVERS** **Product**

**HV8.33b.40.A4.A4.F4** **Code**

**Customer Code**

**DESIGN DATA**

Capacity [Lt.]	40 Lt.
Design Pressure [PS]	33 Bar
Pneumatic Test Pressure [PT]	36 Bar
Hydraulic Test Pressure	48 Bar
Design Temperature [TS]	Min.-20C / Max.+130C
Cooler Fluid Type	HFC-CFC-HCFC
Fluid Group	2
Category	CAT III / H
Desing Calculation	EN 14276-1/EN 13445-3
Welded Joint Efficiency	0.85
Material Group (Shell / Head)	1.2
Testing Group	3b
Corrasion Allowance	0,5 mm
Ndt	10%
Packaging Size & Weight	00*00*00 & 00 Kg.
Drawed By	Ö.TÜRKER
Approved By	D.GÜL
Date	26.04.2022
Color	RAL 5009

**MATERIAL DATA**

No	Connection	Model	Code	Material	Qty
1	Inlet Connection	ROT.1 3/4" H:32	106.060.A04.001.001	E 275	1
2	Outlet Connection	ROT.1 3/4" H:32	106.060.A04.001.001	E 275	1
3	Safety Valve Conn.	NPT 1/2" H:18	106.060.F04.000.001	E275-ST44	1
4	Blind Plug	NPT 1/2" Plug	106.130.F04.001.001	E275	1
5	Pipe	RV MNS 1 3/4" Ø28,5x1,5	204.B28.015.273.180	E235	1
6	Shell	Ø273x4 H:591	204.HV8.33B.040.001	P355NH EN10217-3	1
7	Head Torispheric	Ø273x4 H:95	201.045.273.001.002	P355GH EN10028-2	1
8	Head - Torispheric	Ø273x4 H:95	101.045.273.001.000	P355GH EN10028-2	1
9	Skirt With	Ø247x2,5 H:18	105.004.247.001.001	S235JR	1
10	Foot	350x50x40,5 t:3	105.002.273.001.001	EN10111-DD13	2

**GENERAL NOTES**

- Max. allowable operating pressure [PS] according to the temperature range;
- 1) Allowable operating temperature : min. -20C° / max. +130C° PS1 = 33 Bar
- 2) Allowable operating temperature : min. -20C° / max. -40C° PS2 = 24 Bar
- Unless otherwise specified dimensions in MM
- Unless otherwise specified do not scale
- Unless otherwise specified tube must be clean&free from burrs inside&outside&uitable for soldering
- Unless otherwise specified do not scale indicated thickness are min. after forming or machining
- Unless otherwise specified dimension tolerances according to EN 113445-4

**REVISIONS**

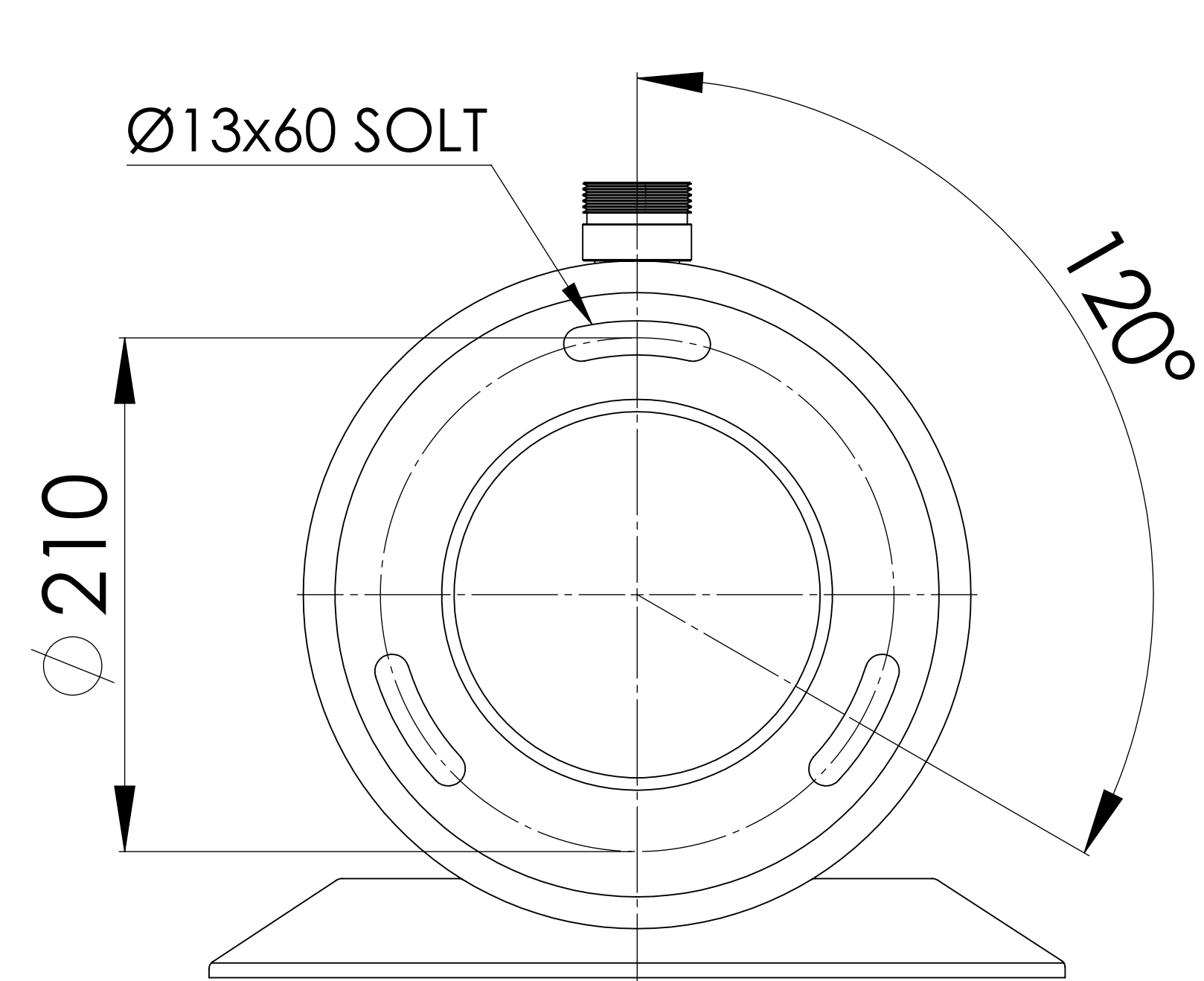
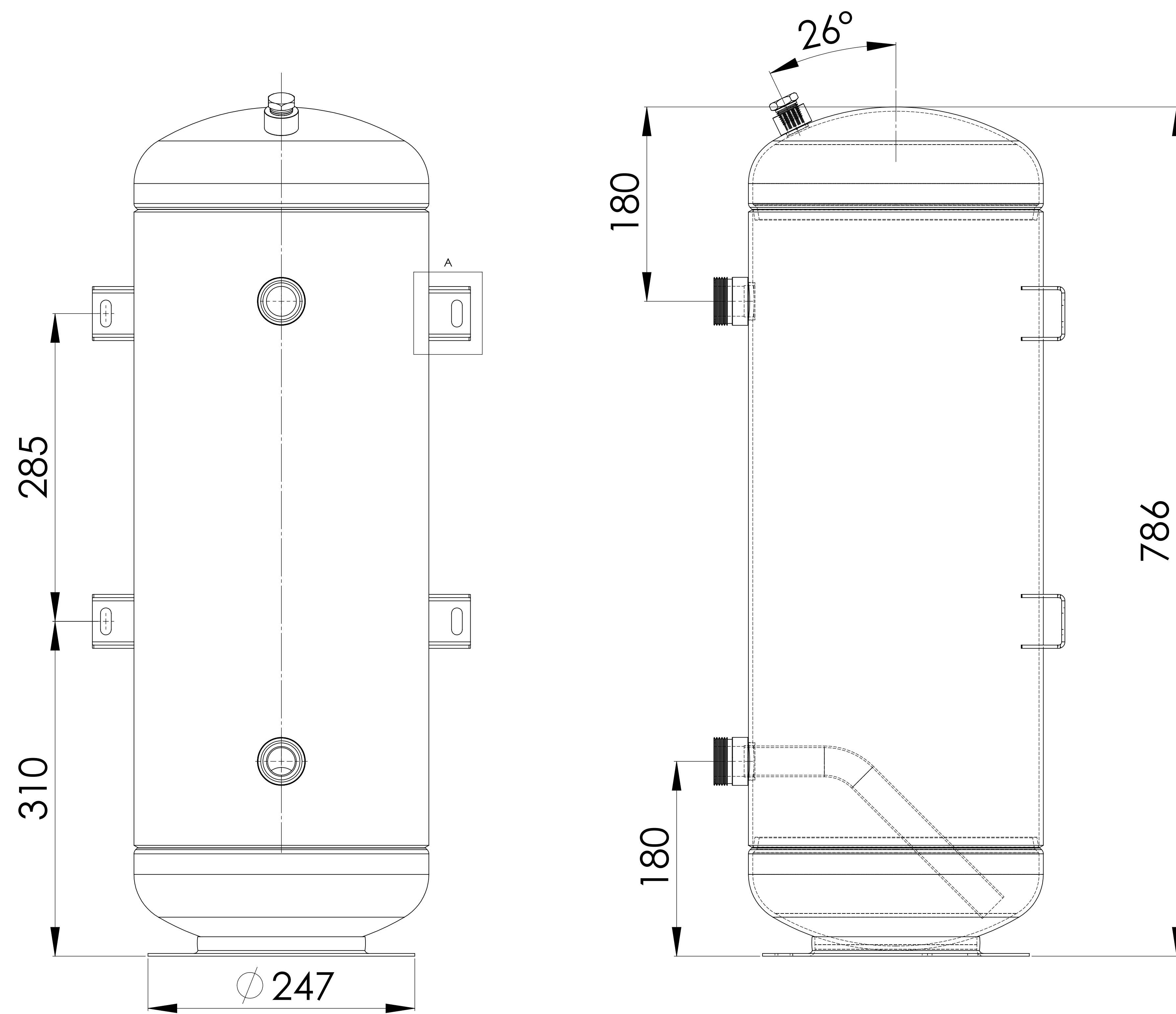
No	Details Of Change	Date	By
01			
02			
03			

**RELATED DRAWINGS**

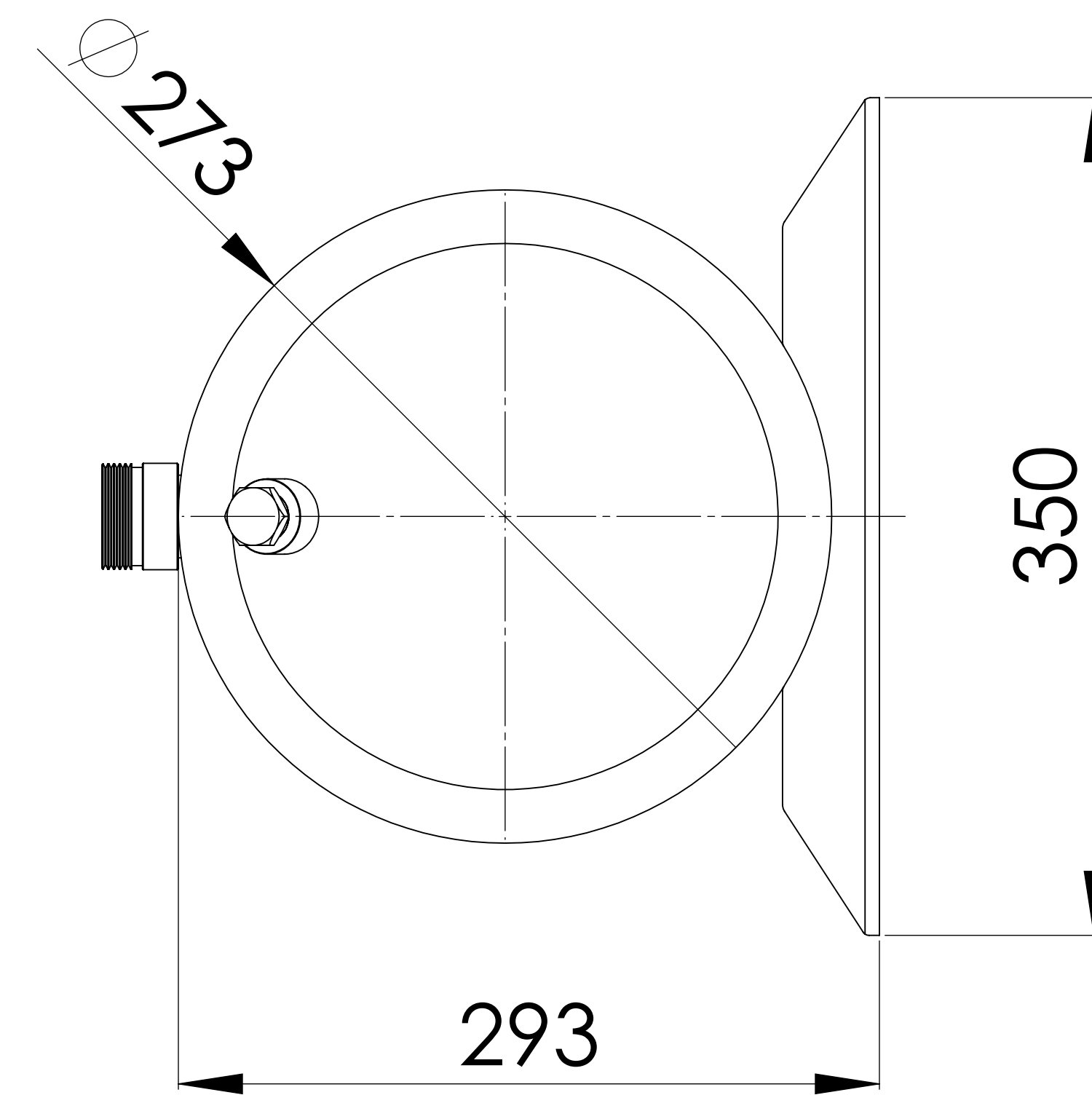
No	Description	Drawing No
01		
02		



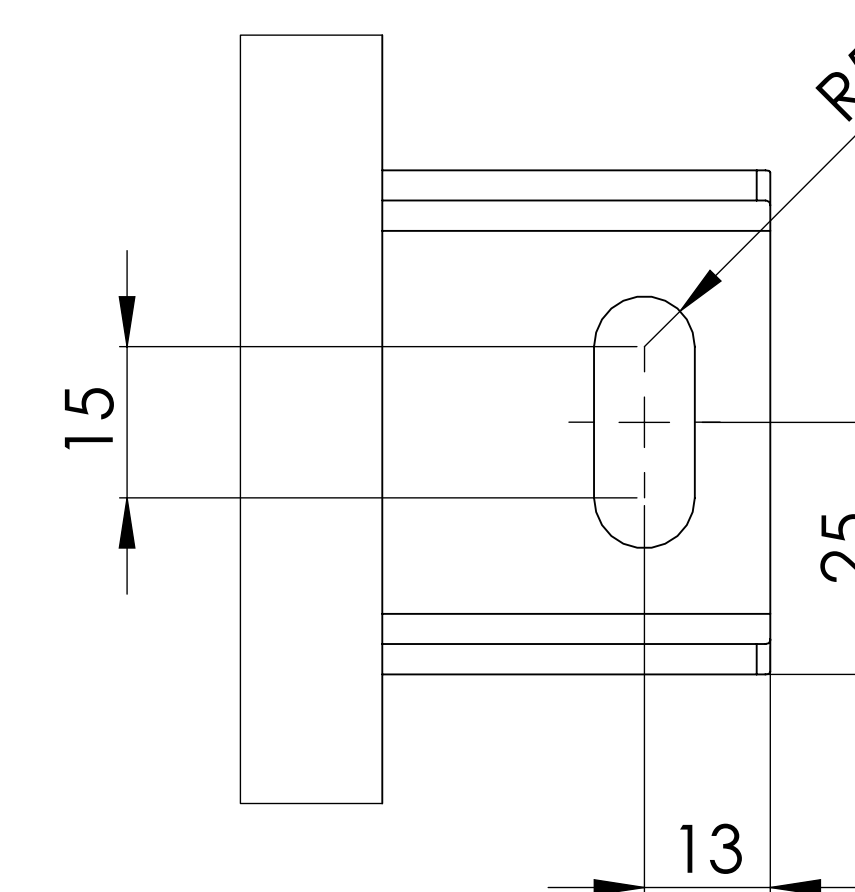
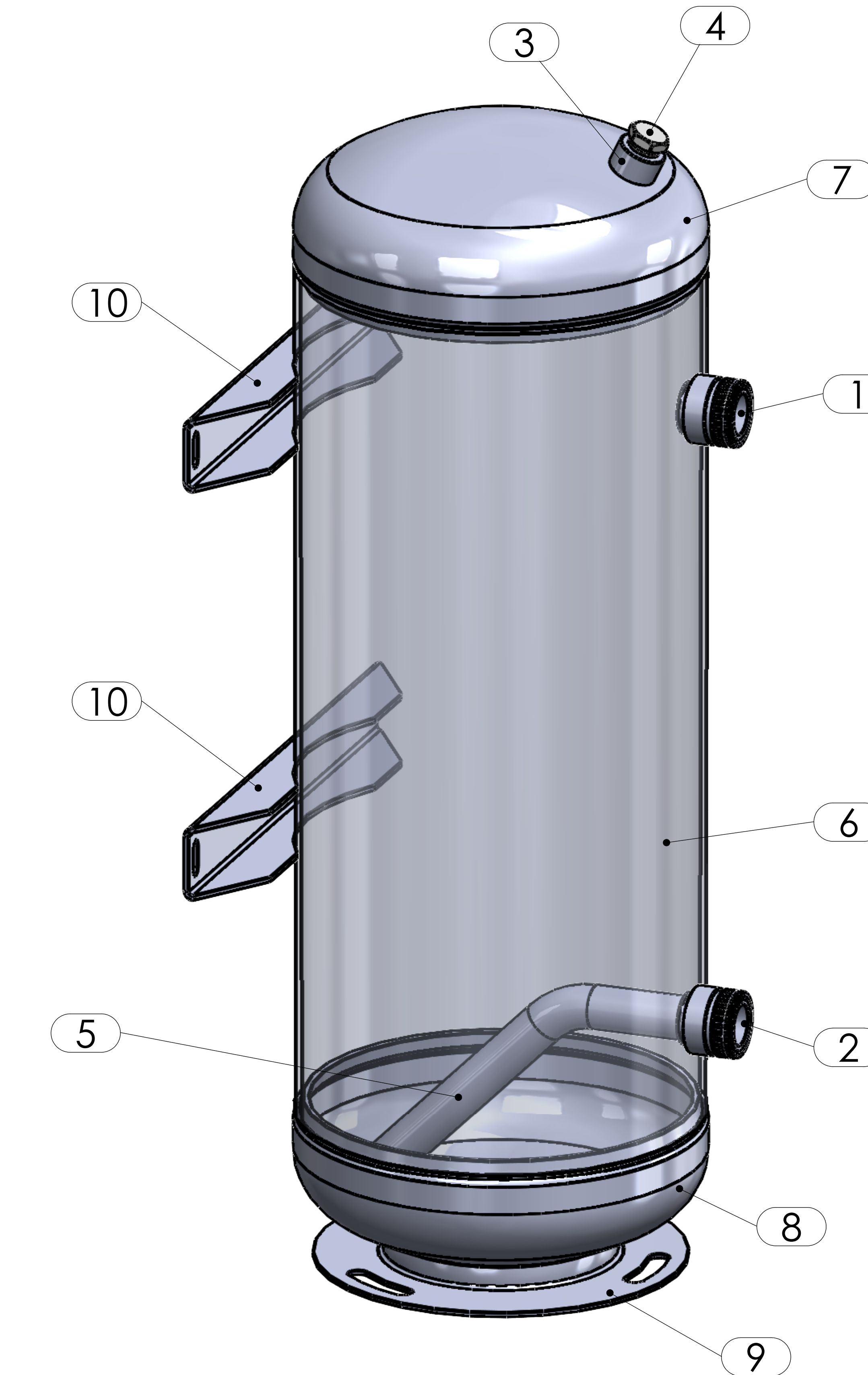
We reserve all rights in this document and in the information contained therein. Reproduction use or disclosure to third parties without express authority is strictly forbidden.



BOTTOM VIEW



TOP VIEW



Detail: A  
2 : 1.5

No	Assembly Codes	Qty
1	M002.000098	1