

GVN STANDART PRODUCT **Customer**

UNIVERSAL LIQUID RECEIVERS **Product**

HV9.33b.70.A4.A4.F4 **Code**

Customer Code

DESIGN DATA

Capacity [Lt.]	70 Lt.
Design Pressure [PS]	33 Bar
Pneumatic Test Pressure [PT]	36 Bar
Hydraulic Test Pressure	48 Bar
Design Temperature [TS]	Min.-20C / Max.+130C
Cooler Fluid Type	HFC-CFC-HCFC
Fluid Group	2
Category	CAT III / H
Desing Calculation	EN 14276-1/EN 13445-3
Welded Joint Efficiency	0.85
Material Group (Shell / Head)	1.2
Testing Group	3b
Corrasion Allowance	0,5 mm
Ndt	10%
Packaging Size & Weight	00*00*00 & 00 Kg.
Drawed By	Ö.TÜRKER
Approved By	D.GÜL
Date	27.04.2022
Color	RAL 5009

MATERIAL DATA

No	Connection	Model	Code	Material	Qty
1	Inlet Connection	ROT.1 3/4" H:32	106.060.A04.001.001	E 275	1
2	Outlet Connection	ROT.1 3/4" H:32	106.060.A04.001.001	E 275	1
3	Safety Valve Conn.	NPT 1/2" H:18	106.060.F04.000.001	E275-S144	1
4	Blind Plug	NPT 1/2" Plug	106.130.F04.001.001	E275	1
5	Pipe	RV MMS 1 3/4" Ø28,5x1,5	204.B28.015.324.240	E235	1
6	Shell	Ø323,9x4 H:764	204.HV9.33B.070.001	P355NH EN10217-3	1
7	Head Torispheric	Ø324x4 H:100	201.033.324.001.002	P355GH EN 10028-2	1
8	Head - Torispheric	Ø323,9x4 H:100	101.033.324.001.000	P355GH EN 10028-2	1
9	Skirt With	Ø320x2,5 H:27	105.004.320.001.001	EN 10111 DD-13	1
10	Foot	400x50x50,6 t:3	105.002.324.001.001	EN10111-DD13	2
11	Label Plate	120x80x2	105.006.002.120.080	DD-13	1
12	Lifting	50x50x5	105.011.MP1.050.050	S235	1
13	Lifting	50x50x5	105.011.MPO.050.050	S235	1

GENERAL NOTES

- Max. allowable operating pressure (PS) according to the temperature range;
- 1) Allowable operating temperature : min. -20C° / max. +130C° PS1 = 33 Bar
- 2) Allowable operating temperature : min. -20C° / max. -40C° PS2 = 24 Bar
- Unless otherwise specified dimensions in MM
- Unless otherwise specified do not scale
- Unless otherwise specified tube must be clean&free from burrs inside&outside&uitable for soldering
- Unless otherwise specified do not scale indicated thickness are min. after forming or machining
- Unless otherwise specified dimension tolerances according to EN 113445-4

REVISIONS

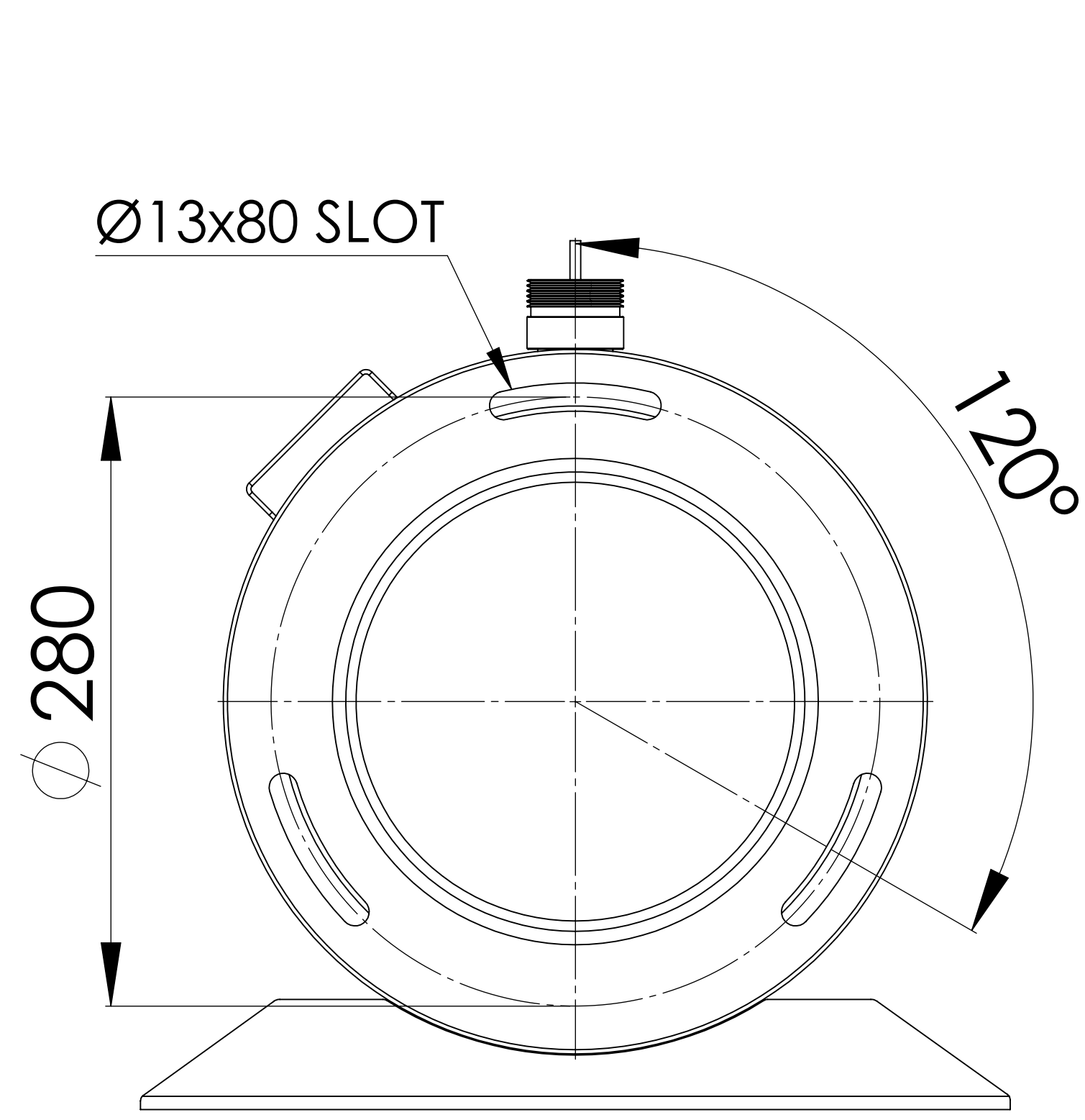
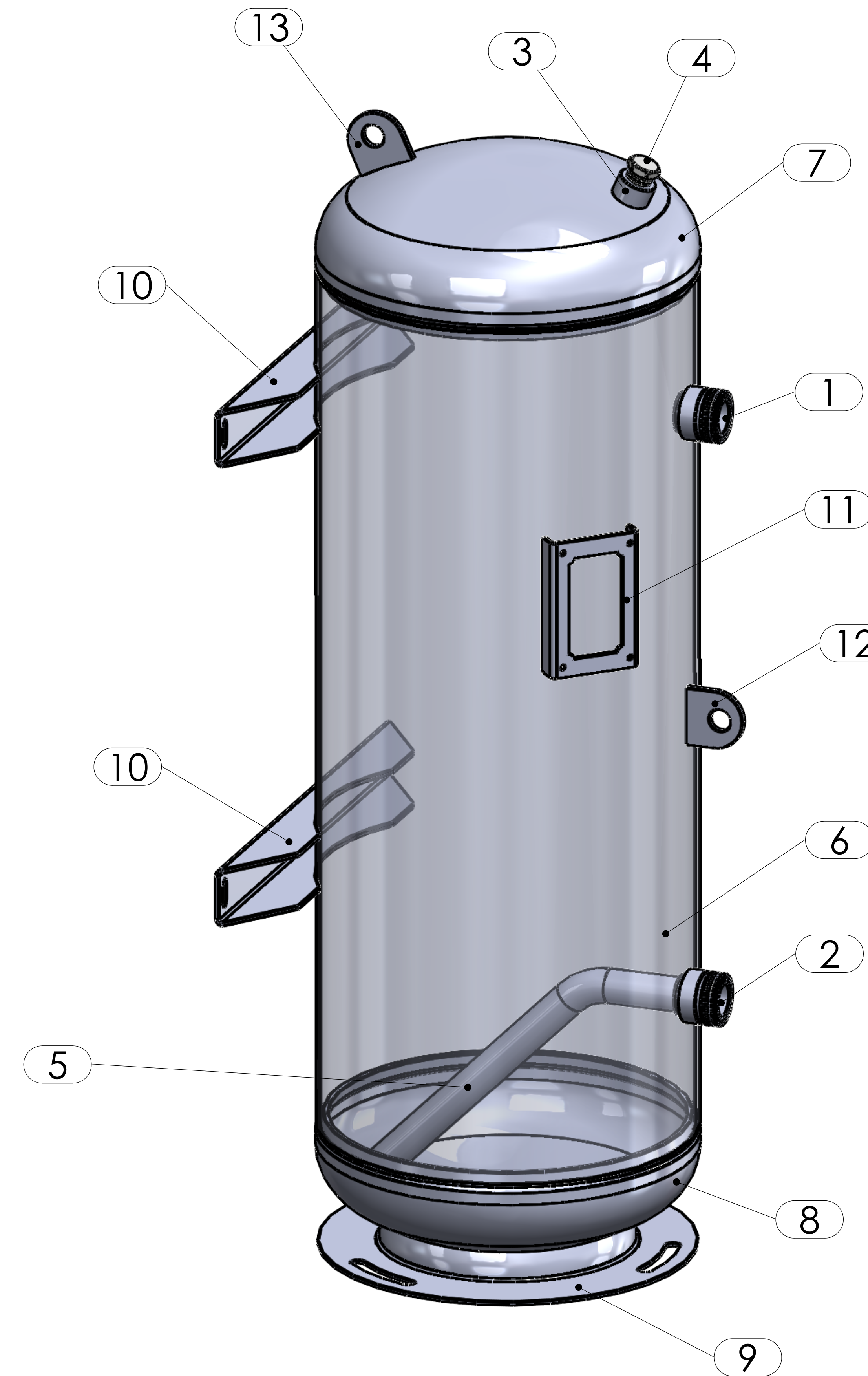
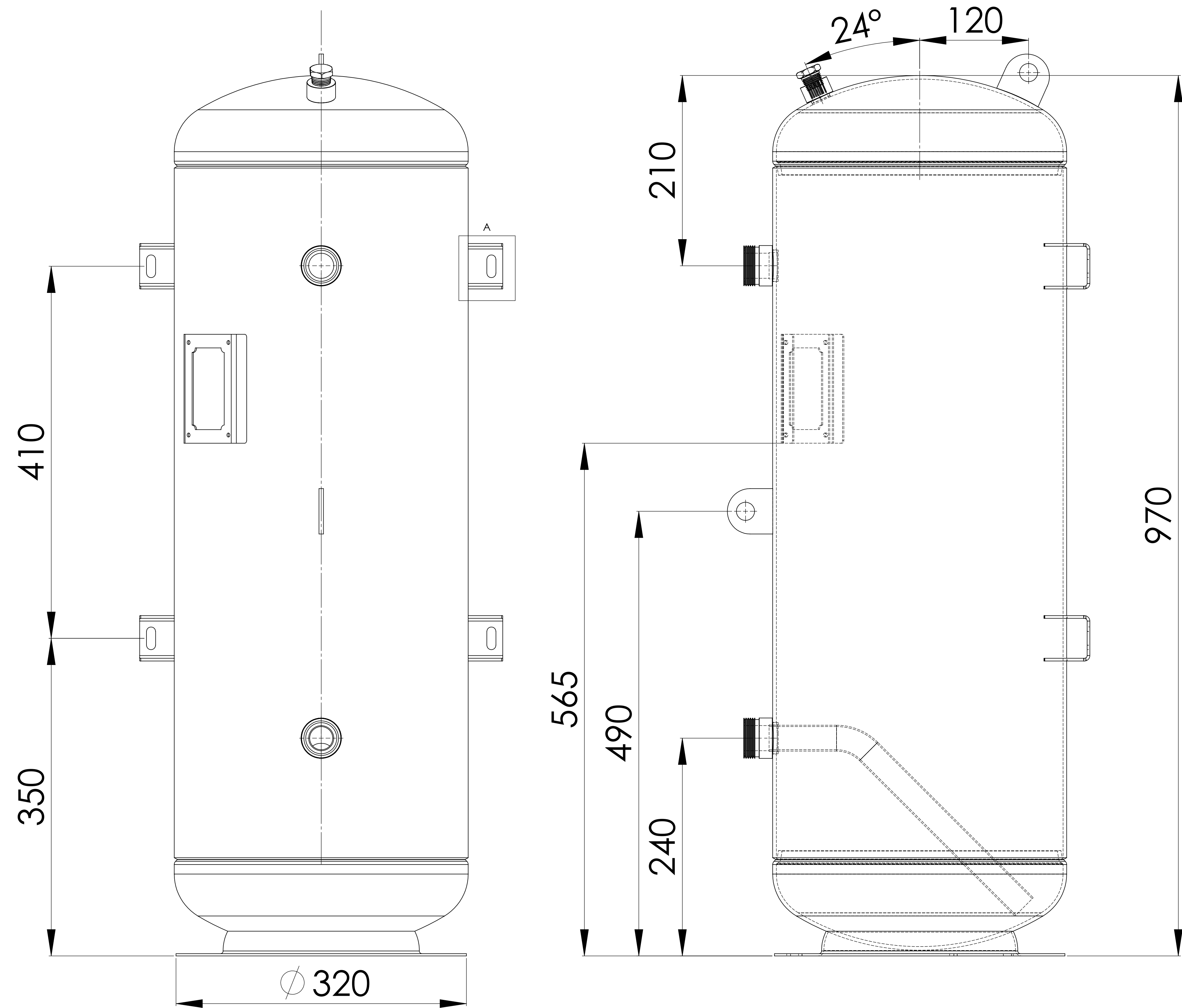
No	Details Of Change	Date	By
01			
02			
03			

RELATED DRAWINGS

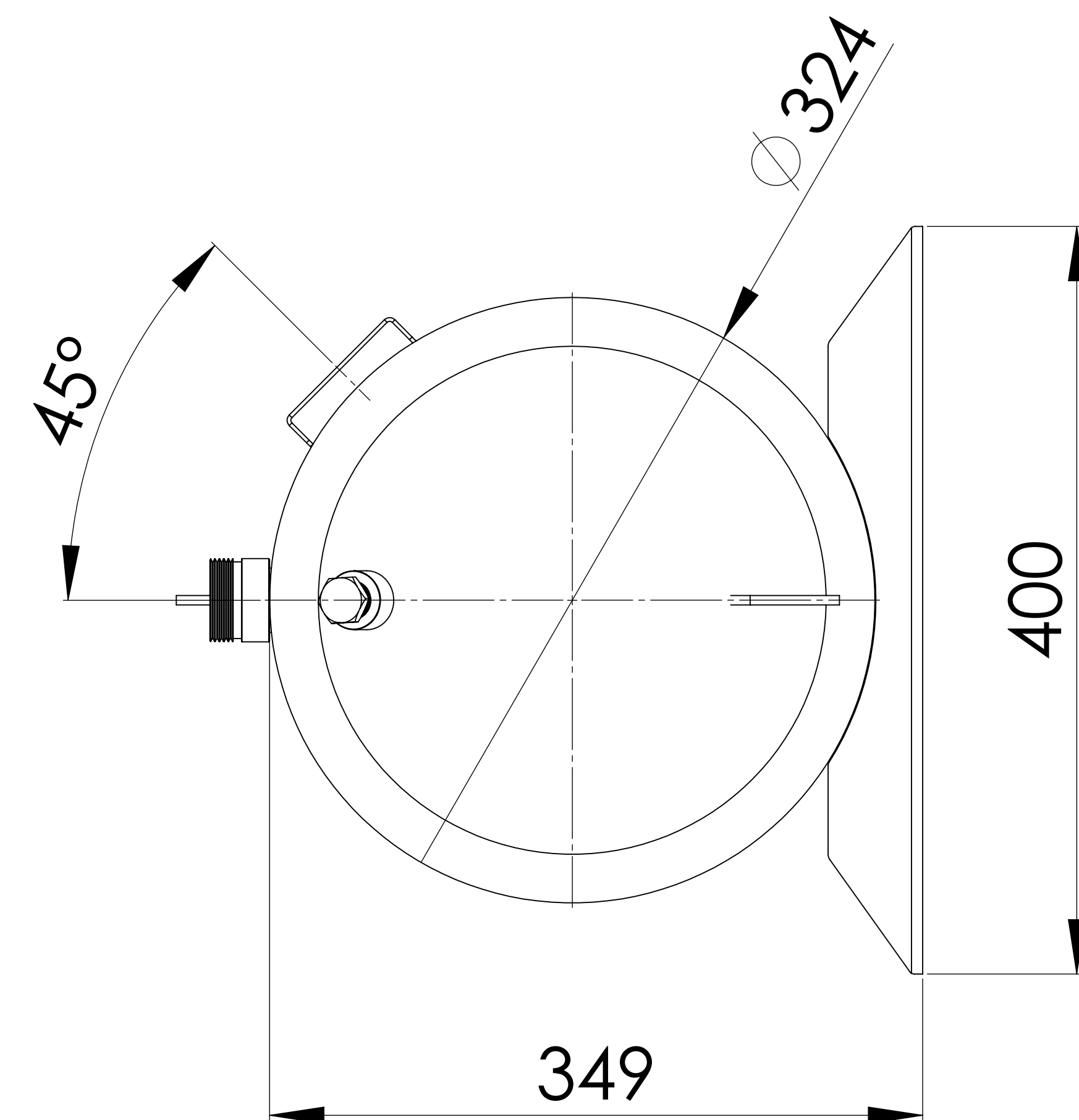
No	Description	Drawing No
01		
02		



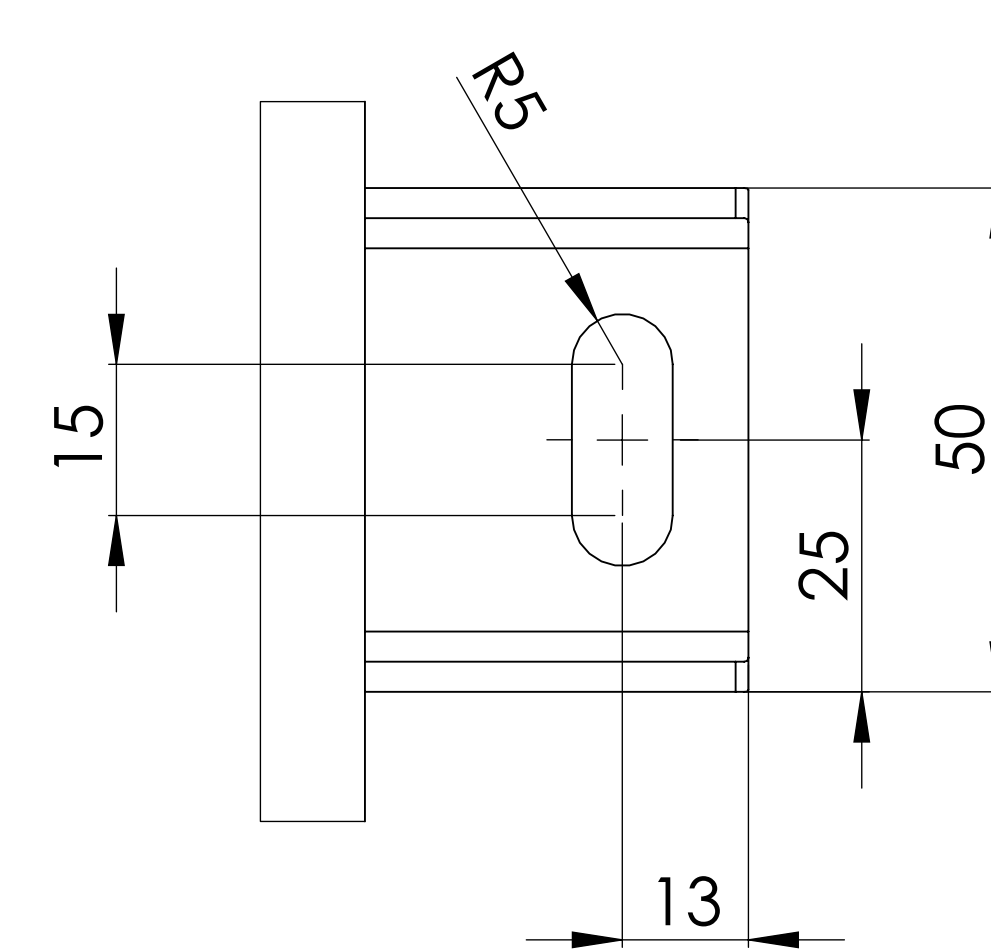
We reserve all rights in this document and in the information contained therein. Reproduction use or disclosure to third parties without express authority is strictly forbidden.



BOTTOM VIEW



TOP VIEW



Detail: A
2 : 1.5

No	Assembly Codes	Qty
1	M002.000112	1