

**GVN STANDART PRODUCT**

**Customer**

**UNIVERSAL LIQUID RECEIVERS**

**Product**

**HV9.33b.80.A4.A4.F4**

**Code**

**Customer Code**

**DESIGN DATA**

|                               |                       |
|-------------------------------|-----------------------|
| Capacity [Lt.]                | 80 Lt.                |
| Design Pressure [PS]          | 33 Bar                |
| Pneumatic Test Pressure [PT]  | 36 Bar                |
| Hydraulic Test Pressure       | 48 Bar                |
| Design Temperature [TS]       | Min.-20C / Max.+130C  |
| Cooler Fluid Type             | HFC-CFC-HCFC          |
| Fluid Group                   | 2                     |
| Category                      | CAT III / H           |
| Desing Calculation            | EN 14276-1/EN 13445-3 |
| Welded Joint Efficiency       | 0.85                  |
| Material Group (Shell / Head) | 1.2                   |
| Testing Group                 | 3b                    |
| Corrasion Allowance           | 0,5 mm                |
| Ndt                           | 10%                   |
| Packaging Size & Weight       | 00*00*00 & 00 Kg.     |
| Drawed By                     | Ö.TÜRKER              |
| Approved By                   | D.GÜL                 |
| Date                          | 27.04.2022            |
| Color                         | RAL 5009              |

**MATERIAL DATA**

| No | Connection         | Model                   | Code                | Material          | Qty |
|----|--------------------|-------------------------|---------------------|-------------------|-----|
| 1  | Inlet Connection   | ROT.1 3/4" H:32         | 106.060.A04.001.001 | E 275             | 1   |
| 2  | Outlet Connection  | ROT.1 3/4" H:32         | 106.060.A04.001.001 | E 275             | 1   |
| 3  | Safety Valve Conn. | NPT 1/2" H:18           | 106.060.F04.000.001 | E275-S144         | 1   |
| 4  | Blind Plug         | NPT 1/2" Plug           | 106.130.F04.001.001 | E275              | 1   |
| 5  | Pipe               | RV MNS 1 3/4" Ø28,5x1,5 | 204.B28.015.324.240 | E235              | 1   |
| 6  | Shell              | Ø323,9x4 H:904          | 204.HV9.33B.080.001 | P355NH EN10217-3  | 1   |
| 7  | Head Torispheric   | Ø324x4 H:100            | 201.033.324.001.002 | P355GH EN 10028-2 | 1   |
| 8  | Head - Torispheric | Ø323,9x4 H:100          | 101.033.324.001.000 | P355GH EN 10028-2 | 1   |
| 9  | Skirt With         | Ø320x2,5 H:27           | 105.004.320.001.001 | EN 10111 DD-13    | 1   |
| 10 | Foot               | 400x50x50,6 t:3         | 105.002.324.001.001 | EN10111-DD13      | 2   |
| 11 | Label Plate        | 120x80x2                | 105.006.002.120.080 | DD-13             | 1   |
| 12 | Lifting            | 50x50x5                 | 105.011.MP1.050.050 | S235              | 1   |
| 13 | Lifting            | 50x50x5                 | 105.011.MPO.050.050 | S235              | 1   |

**GENERAL NOTES**

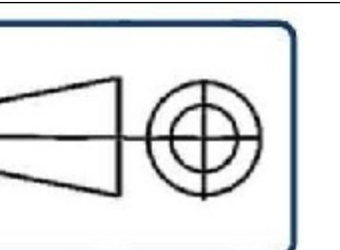
- Max. allowable operating pressure (PS) according to the temperature range;
- 1) Allowable operating temperature : min. -20C° / max. +130C° PS1 = 33 Bar
- 2) Allowable operating temperature : min. -20C° / max. -40C° PS2 = 24 Bar
- Unless otherwise specified dimensions in MM
- Unless otherwise specified do not scale
- Unless otherwise specified tube must be clean&free from burrs inside&outside&uitable for soldering
- Unless otherwise specified do not scale indicated thickness are min. after forming or machining
- Unless otherwise specified dimension tolerances according to EN 113445-4

**REVISIONS**

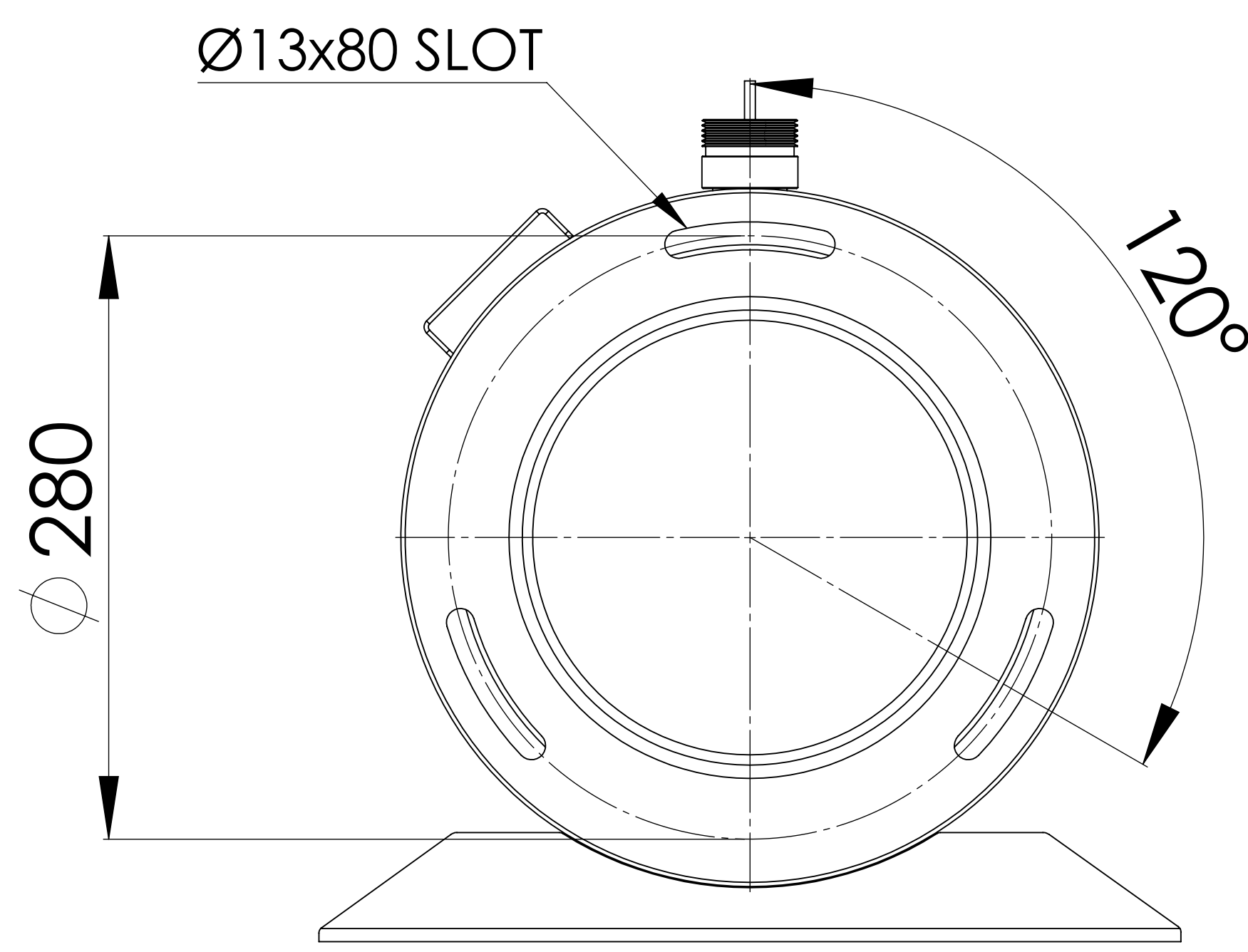
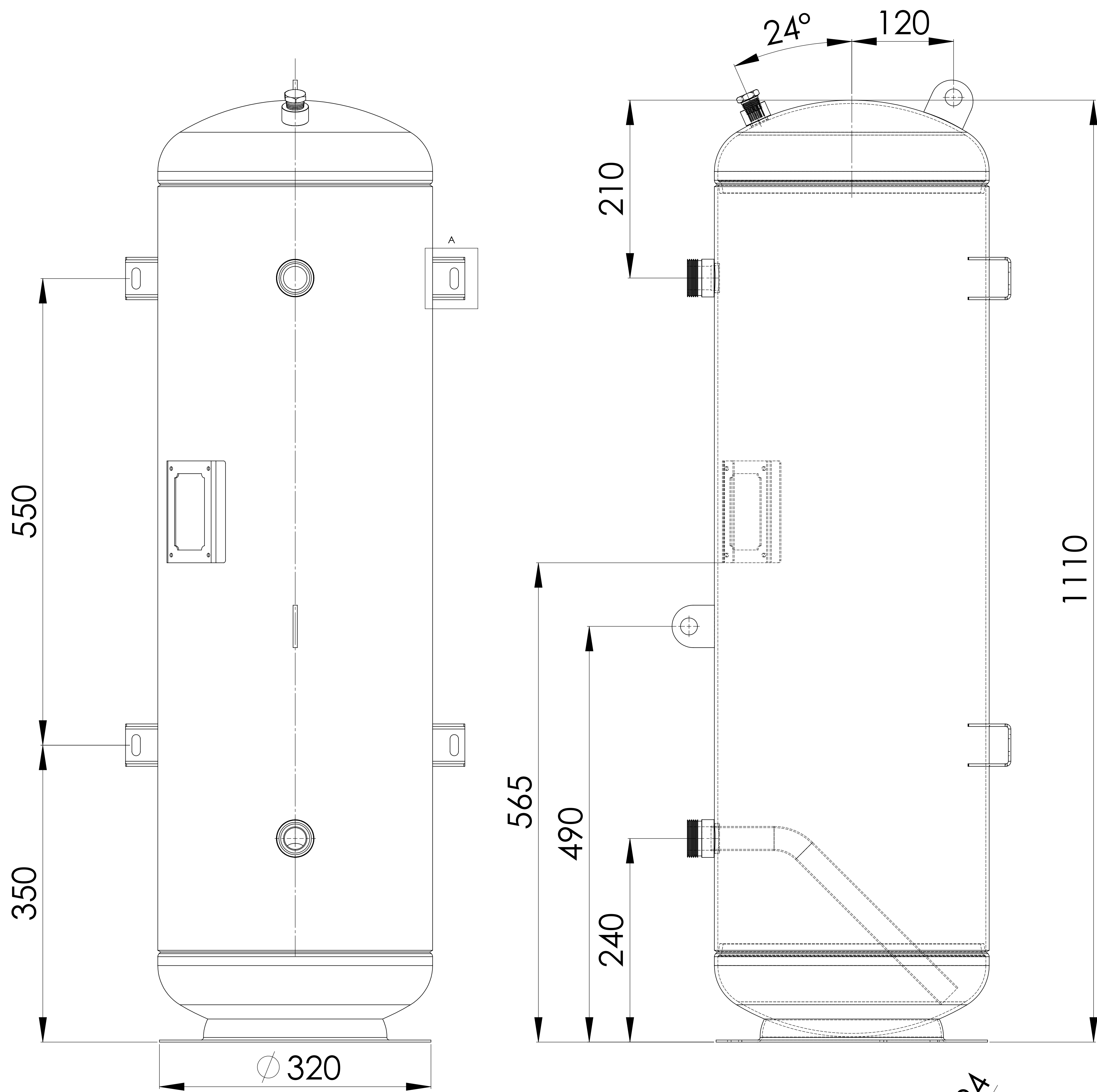
| No | Details Of Change | Date | By |
|----|-------------------|------|----|
| 01 |                   |      |    |
| 02 |                   |      |    |
| 03 |                   |      |    |

**RELATED DRAWINGS**

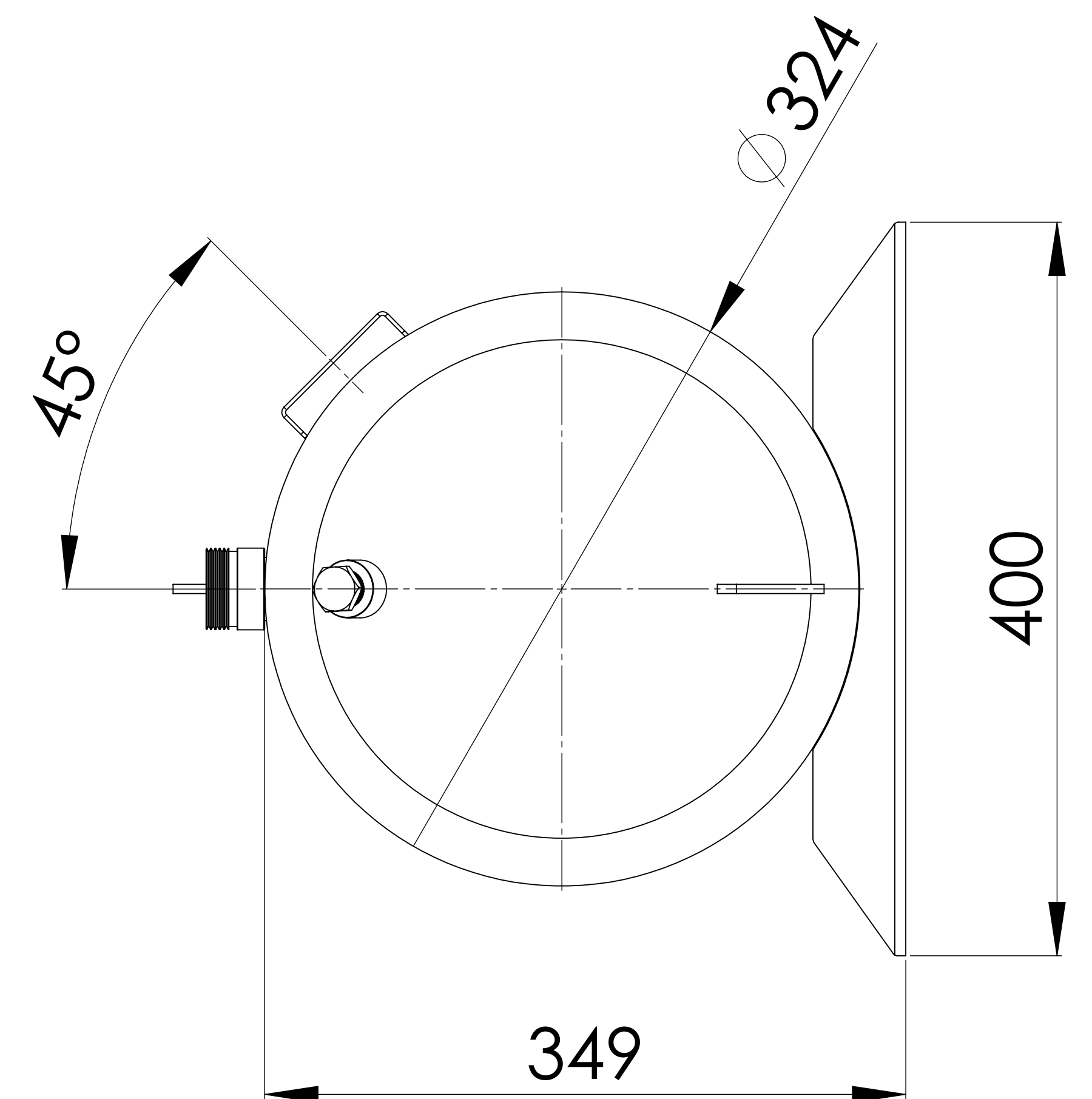
| No | Description | Drawing No |
|----|-------------|------------|
| 01 |             |            |
| 02 |             |            |



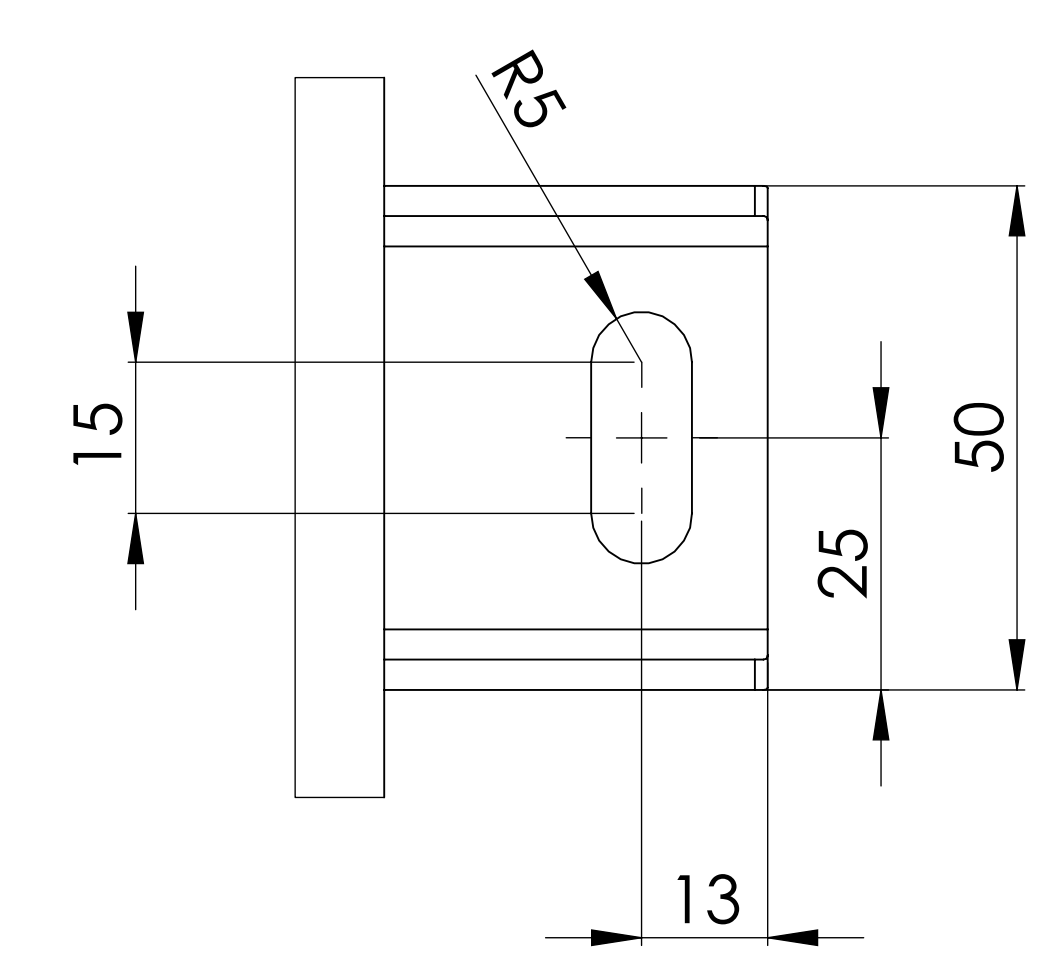
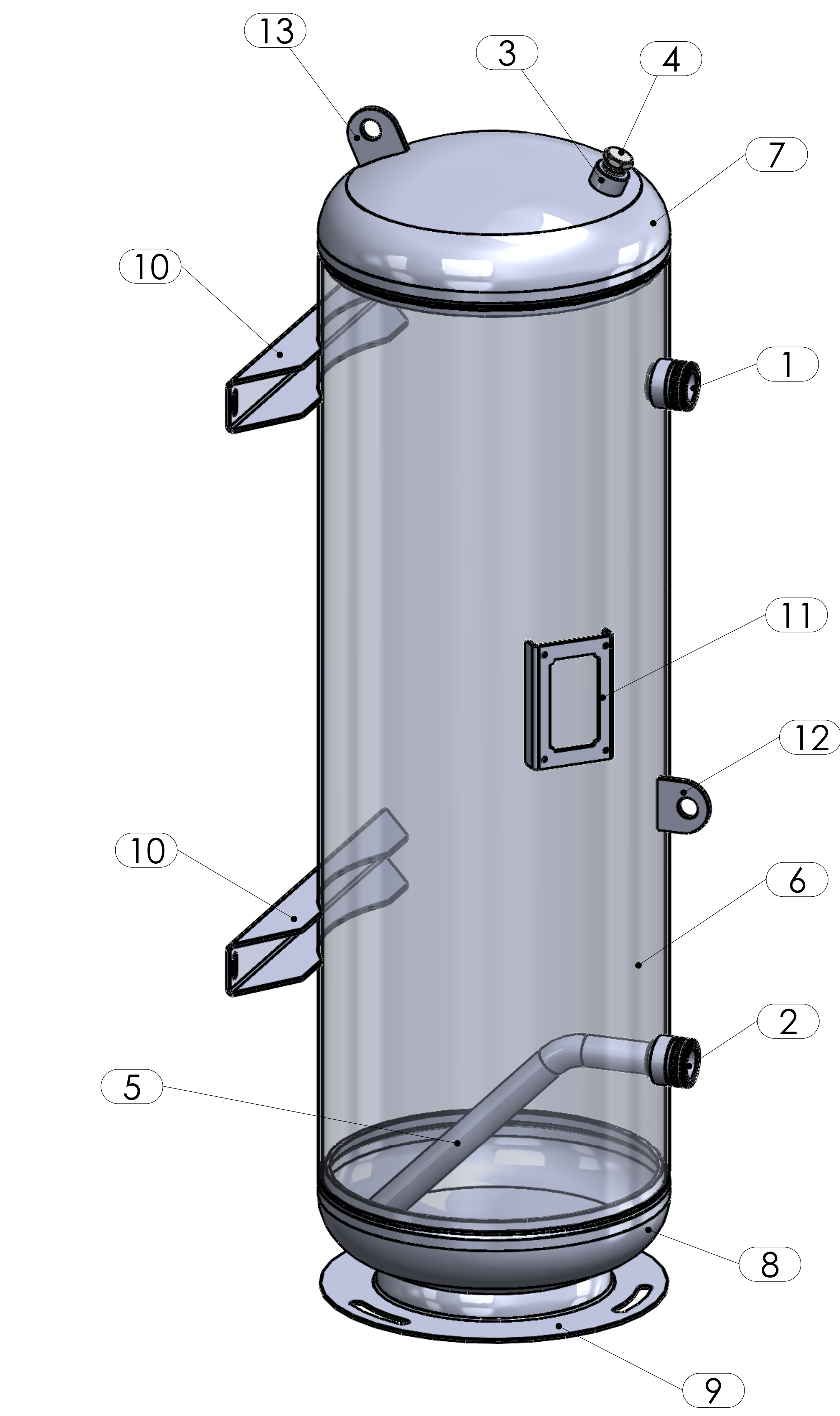
We reserve all rights in this document and in the information contained therein. Reproduction use or disclosure to third parties without express authority is strictly forbidden.



BOTTOM VIEW



TOP VIEW



Detail: A  
2: 1.5

| No | Assembly Codes | Qty |
|----|----------------|-----|
| 1  | M002.000113    | 1   |