

DETAY M  
ÖLÇEK 2 : 1

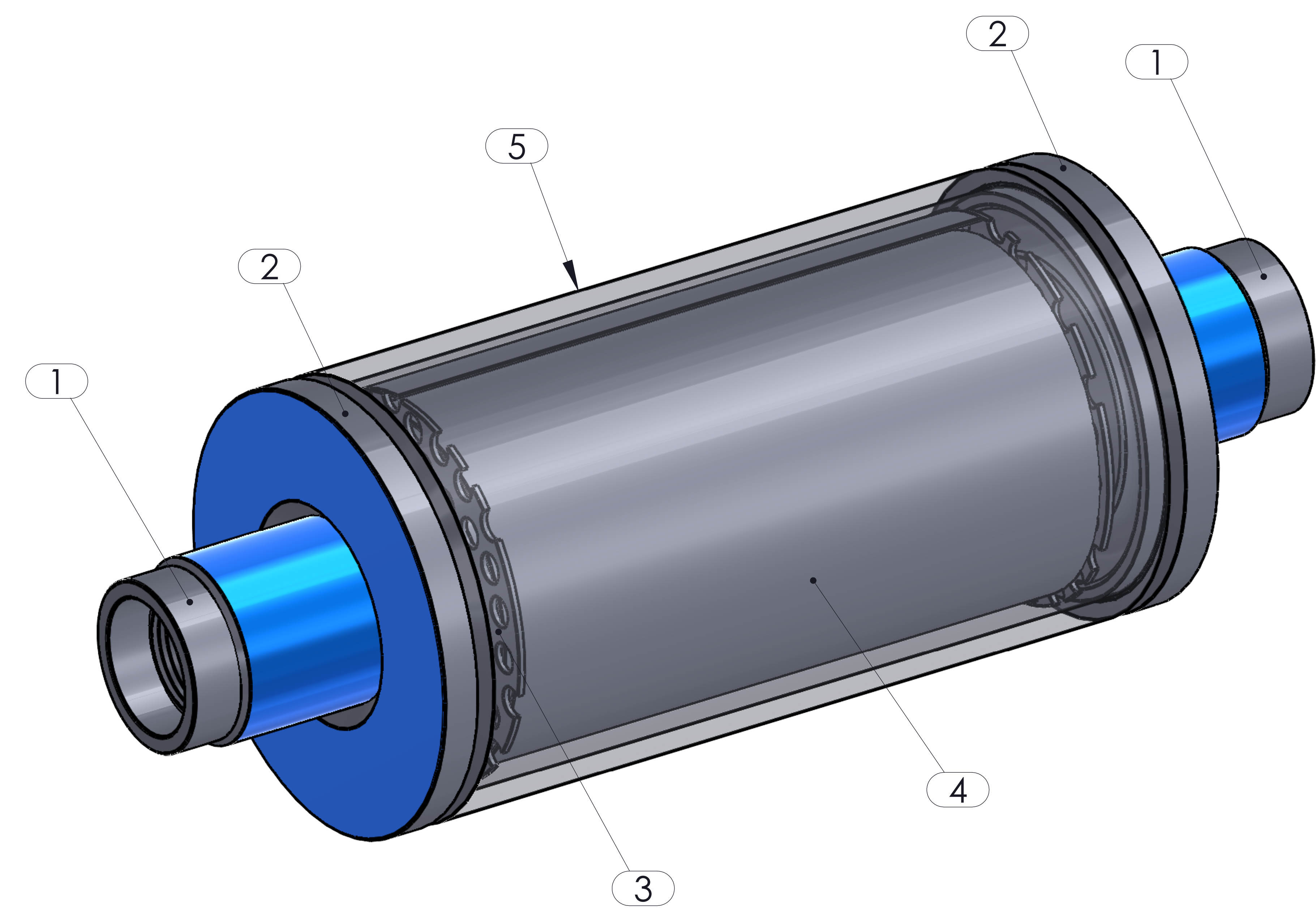
Ø 114

50

224

50

324



## GÜVEN SOĞUTMA ÜNİTELERİ SAN. VE TİC. A.Ş.

Add.: Hastane Mah. Hadimköy İstanbul Cd. No:78/1  
34555, Arnavutköy, İstanbul, TÜRKİYE  
Tel: +90 212 771 51 12 - 771 51 13  
Fax: +90 212 771 51 10  
www.gvn.com.tr



GVN STANDARD PRODUCT	Customer
DISCHARGE LINE MUFFLERS	Product
MF.130b.35.1	Code
	Customer Code

DESIGN DATA	
Capacity [Lt.]	1,7L
Design Pressure [PS]	130 Bar
Pneumatic Test Pressure [PT]	143 Bar
Hydraulic Test Pressure	186 Bar
Design Temperature [TS]	Min.-20C / Max.+130C
Cooler Fluid Type	HFC-CFC-HCFC-R744
Fluid Group	2
Category	CAT II
Desing Calculation	EN 14276-1/EN 13445-3
Welded Joint Efficiency	0.85
Material Group (Shell / Head)	1.2
Testing Group	3b
Corrasion Allowance	0,5 mm
Ndt	10%
Packaging Size & Weight	00*00*00 & 00 Kg.
Drawed By	M.ABDULAZİZ
Approved By	D.GÜL
Date	02.08.2022
Color	RAL 5009

MATERIAL DATA					
No	Connection	Model	Code	Material	Qty
1	Inlet - Outlet Connection	ODS 1 3/8"	106.130.B08.000.004	ST44-E275	2
2	TOP + BOTTOM FLANGE	Ø114 H:17	107.130.0MF.114.004	P355GH	2
3	WIRE MESH SUPPORT	Ø100 x 1,5 mm	105.008.114.000.001	S235JR	2
4	WIRE MESH	170x MESH 2-3	008.001.001.001.005	AISI304	1
5	SHELL	Ø114x5 H:200	104.130.114.MF0.001	P355NH-EN10217-3	1

**GENERAL NOTES**

- Max. allowable operating pressure (PS) according to the temperature range;
- 1) Allowable operating temperature : min. -20C° / max. +130C° PS1 = 130 Bar
- 2) Allowable operating temperature : min. -40C° / max. -20C° PS2 = 97,5 Bar
- Unless otherwise specified dimensions in MM
- Unless otherwise specified do not scale
- Unless otherwise specified tube must be clean&free from burrs inside&outside&uitable for soldering
- Unless otherwise specified do not scale indicated thickness are min. after forming or machining
- Unless otherwise specified dimension tolerances according to EN 113445-4

REVISIONS			
No	Details Of Change	Date	By
01			
02			
03			

RELATED DRAWINGS		
No	Description	Drawing No
01		
02		



No	Code	Qty
1	M006.000009	1

We reserve all rights in this document and in the information contained therein. Reproduction use or disclosure to third parties without express authority is strictly forbidden.