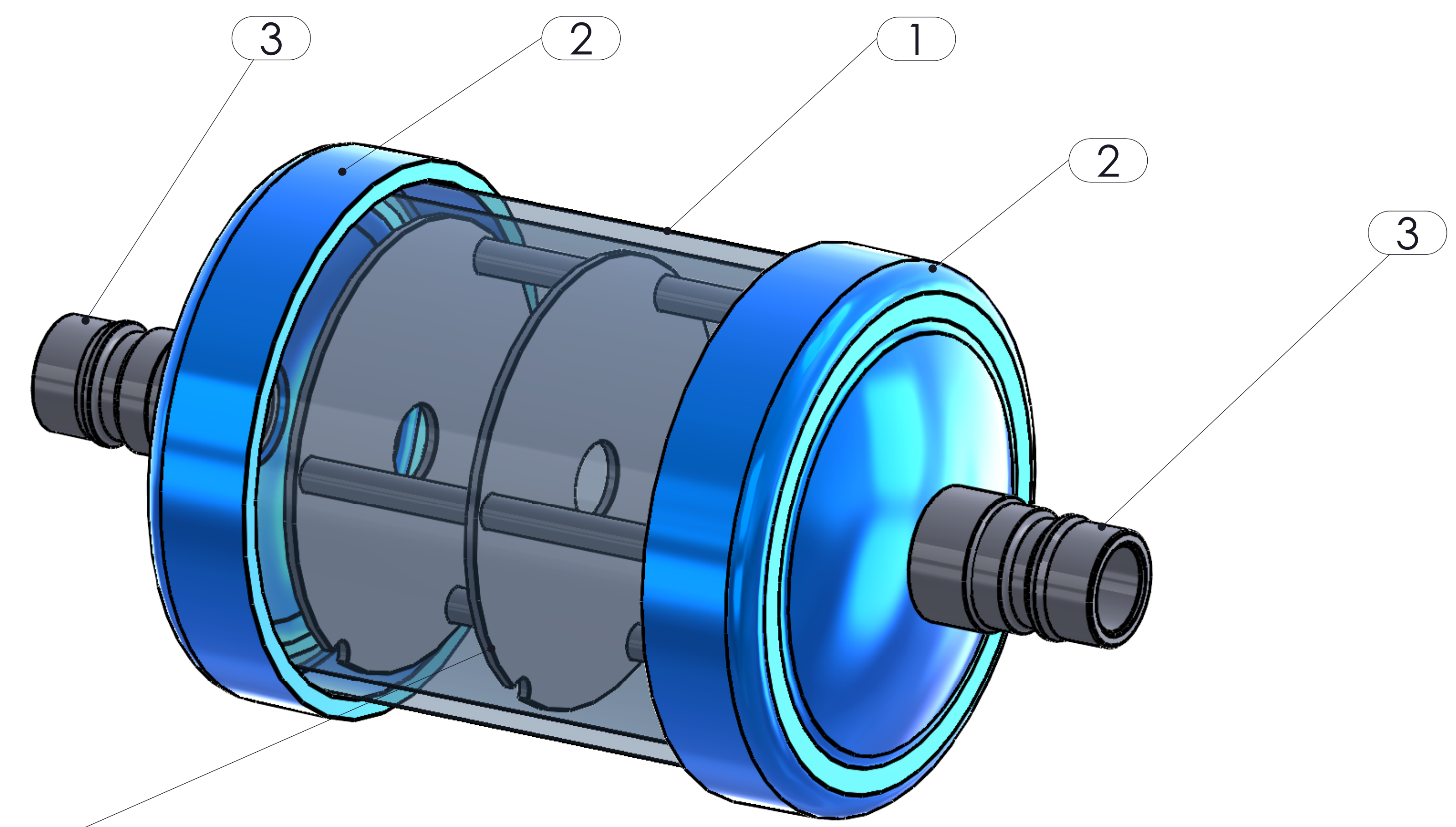
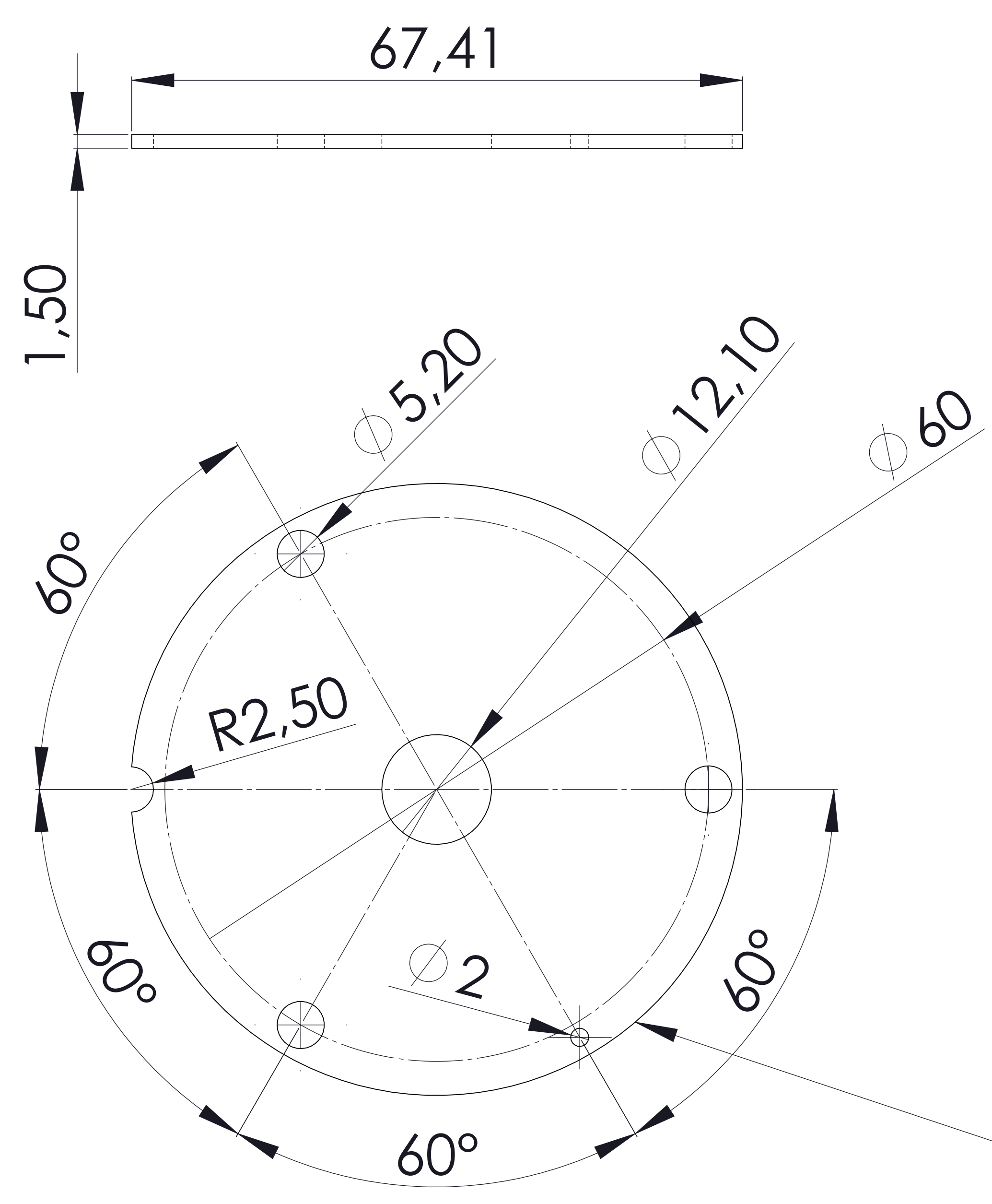
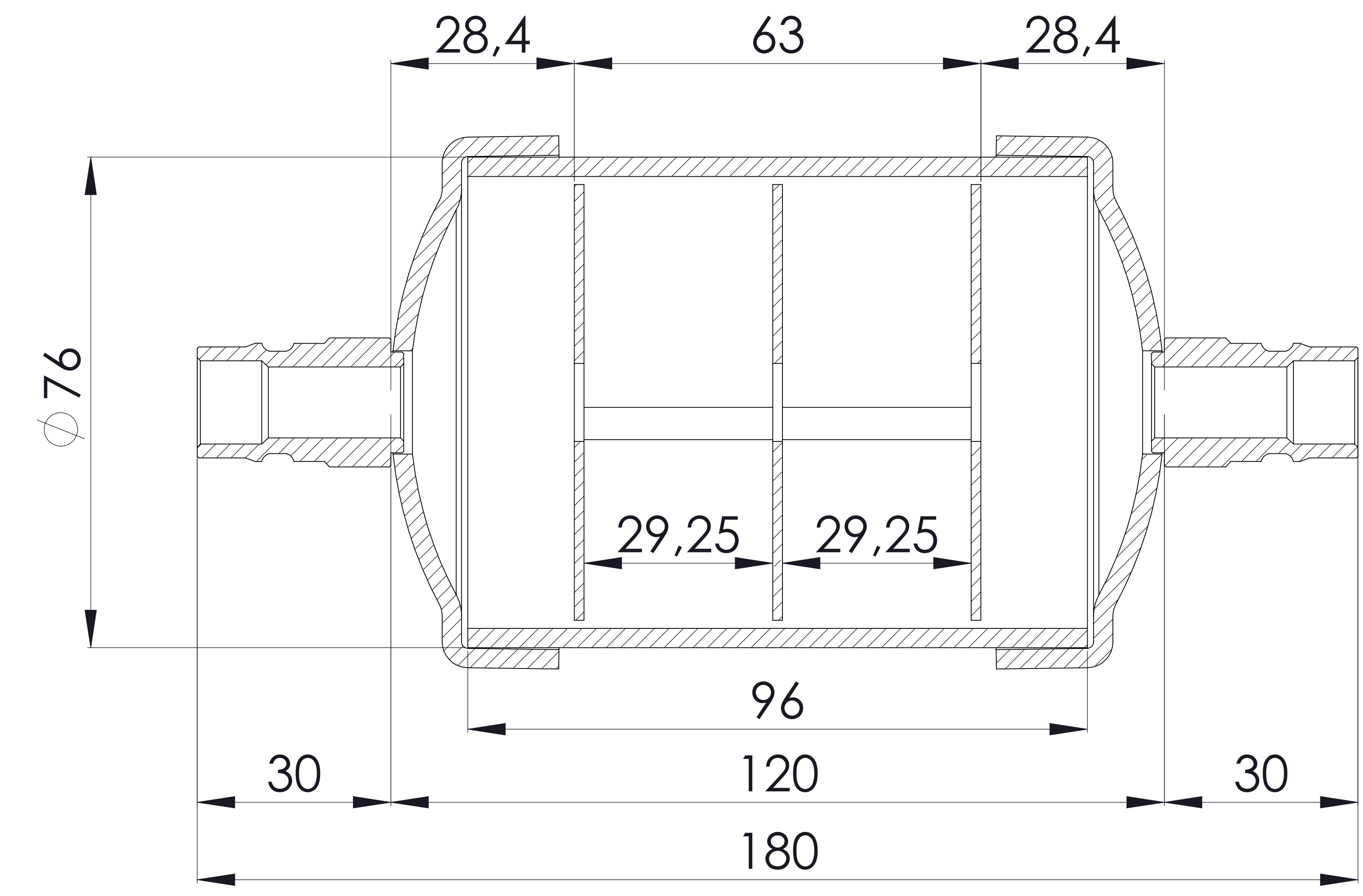
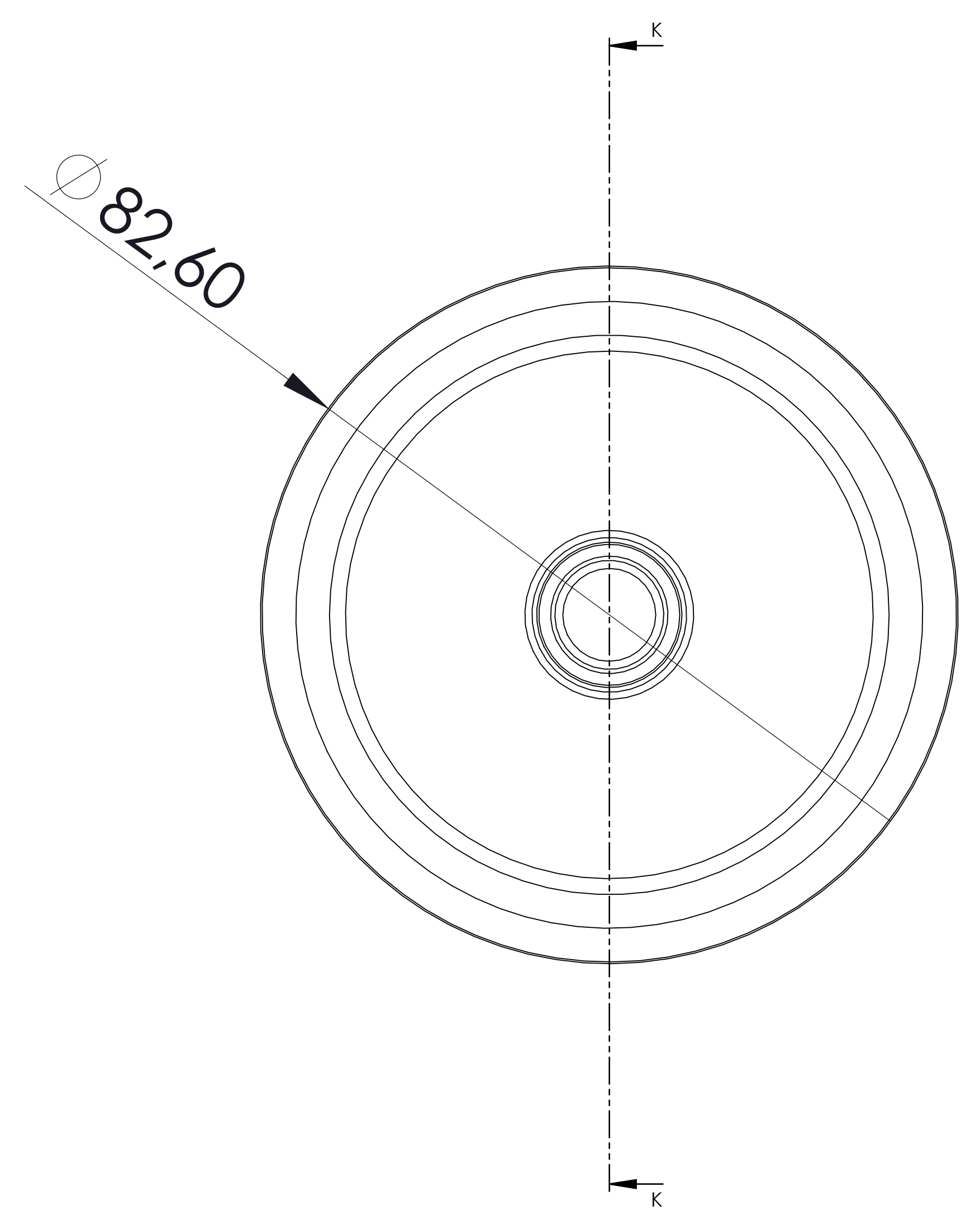


|                         |               |
|-------------------------|---------------|
| GVN STANDARD PRODUCT    | Customer      |
| DISCHARGE LINE MUFFLERS | Product       |
| MF.45.12.1              | Code          |
|                         | Customer Code |

| DESIGN DATA                   |                       |
|-------------------------------|-----------------------|
| Capacity [Lt.]                | 0,42L                 |
| Design Pressure [PS]          | 45 Bar                |
| Pneumatic Test Pressure [PT]  | 50 Bar                |
| Hydraulic Test Pressure       | 65 Bar                |
| Design Temperature [TS]       | Min.-20C / Max.+130C  |
| Cooler Fluid Type             | HFC-CFC-HCFC-R744     |
| Fluid Group                   | 2                     |
| Category                      | SEP                   |
| Desing Calculation            | EN 14276-1/EN 13445-3 |
| Welded Joint Efficiency       | 0.85                  |
| Material Group (Shell / Head) | 1.2                   |
| Testing Group                 | 3b                    |
| Corrasion Allowance           | 0,5 mm                |
| Ndt                           | 10%                   |
| Packaging Size & Weight       | 00*00*00 & 00 Kg.     |
| Drawed By                     | M.ABDULAZİZ           |
| Approved By                   | D.GÜL                 |
| Date                          | 26.07.2022            |
| Color                         | RAL 5009              |

| MATERIAL DATA |                           |               |                     |                   |     |
|---------------|---------------------------|---------------|---------------------|-------------------|-----|
| No            | Connection                | Model         | Code                | Material          | Qty |
| 3             | Inlet - Outlet Connection | ODS 1/2" H:30 | 106.060.B03.000.005 | Ø20 ST44-E275     | 2   |
| 1             | Shell                     | Ø76x3 H:96    | 104.060.076.MF0.001 | EN 10217-3 P355NH | 1   |
| 2             | Cover                     | Ø82X3 H:26    | 201.045.076.001.001 | P355GH-EN10028-2  | 2   |



105.008.076.012.001

**GENERAL NOTES**

- Max. allowable operating pressure (PS) according to the temperature range:
- 1) Allowable operating temperature : min. -20C° / max. +130C° PS1 = 45 Bar
- 2) Allowable operating temperature : min. -40C° / max. -20C° PS2 = 33 Bar
- Unless otherwise specified dimensions in MM
- Unless otherwise specified do not scale
- Unless otherwise specified tube must be clean&free form burrs inside&outside&suitable for soldering
- Unless otherwise specified do not scale indicated thickness are min. after forming or machining
- Unless otherwise specified dimension tolerances according to EN 113445-4

| REVISIONS |                   |      |    |
|-----------|-------------------|------|----|
| No        | Details Of Change | Date | By |
| 01        |                   |      |    |
| 02        |                   |      |    |
| 03        |                   |      |    |

| RELATED DRAWINGS |             |
|------------------|-------------|
| No               | Description |
| 01               |             |
| 02               |             |

| No | Code        | Qty |
|----|-------------|-----|
| 1  | M005.000283 | 1   |



We reserve all rights in this document and in the information contained therein. Reproduction use or disclosure to third parties without express authority is strictly forbidden.