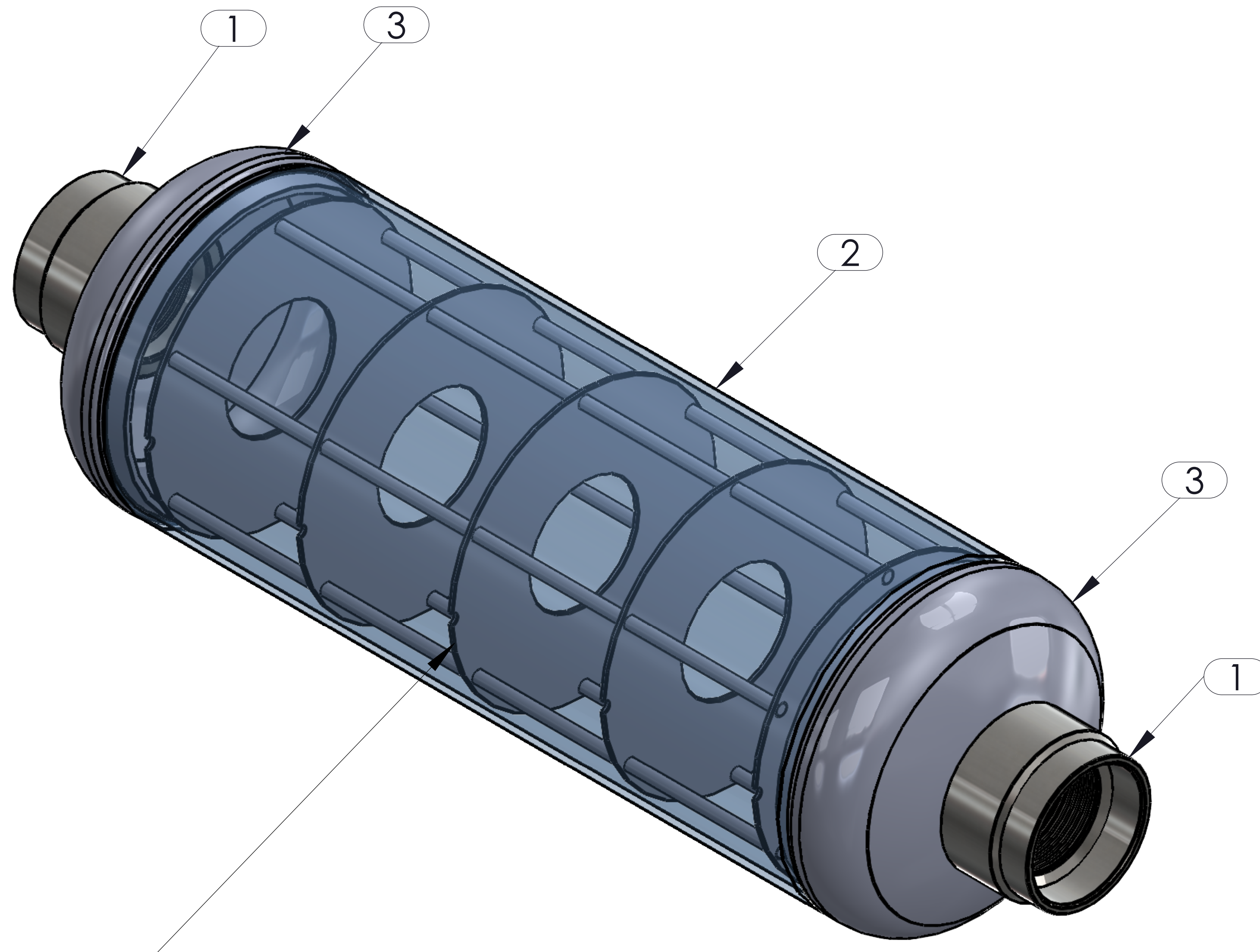
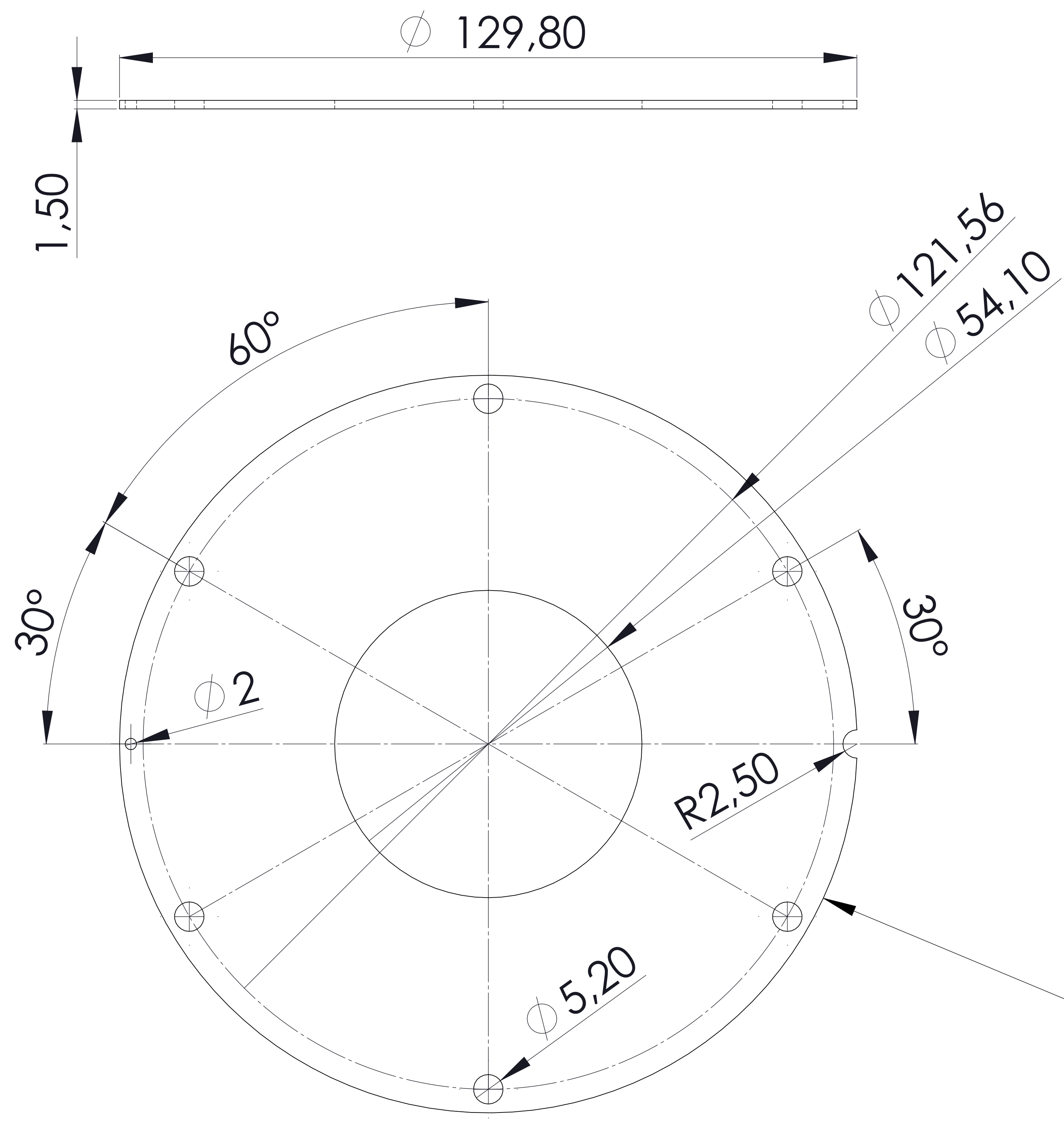
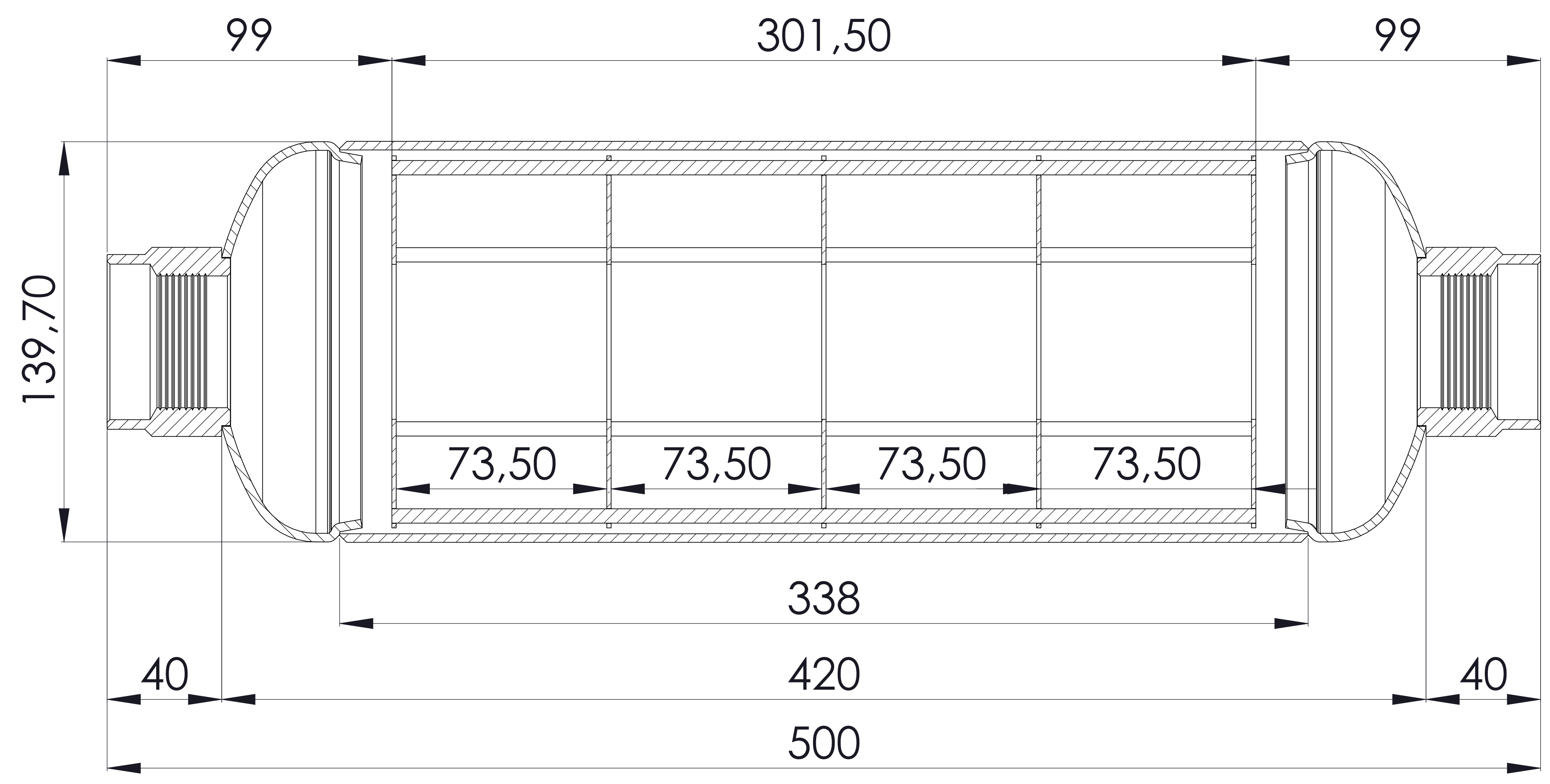
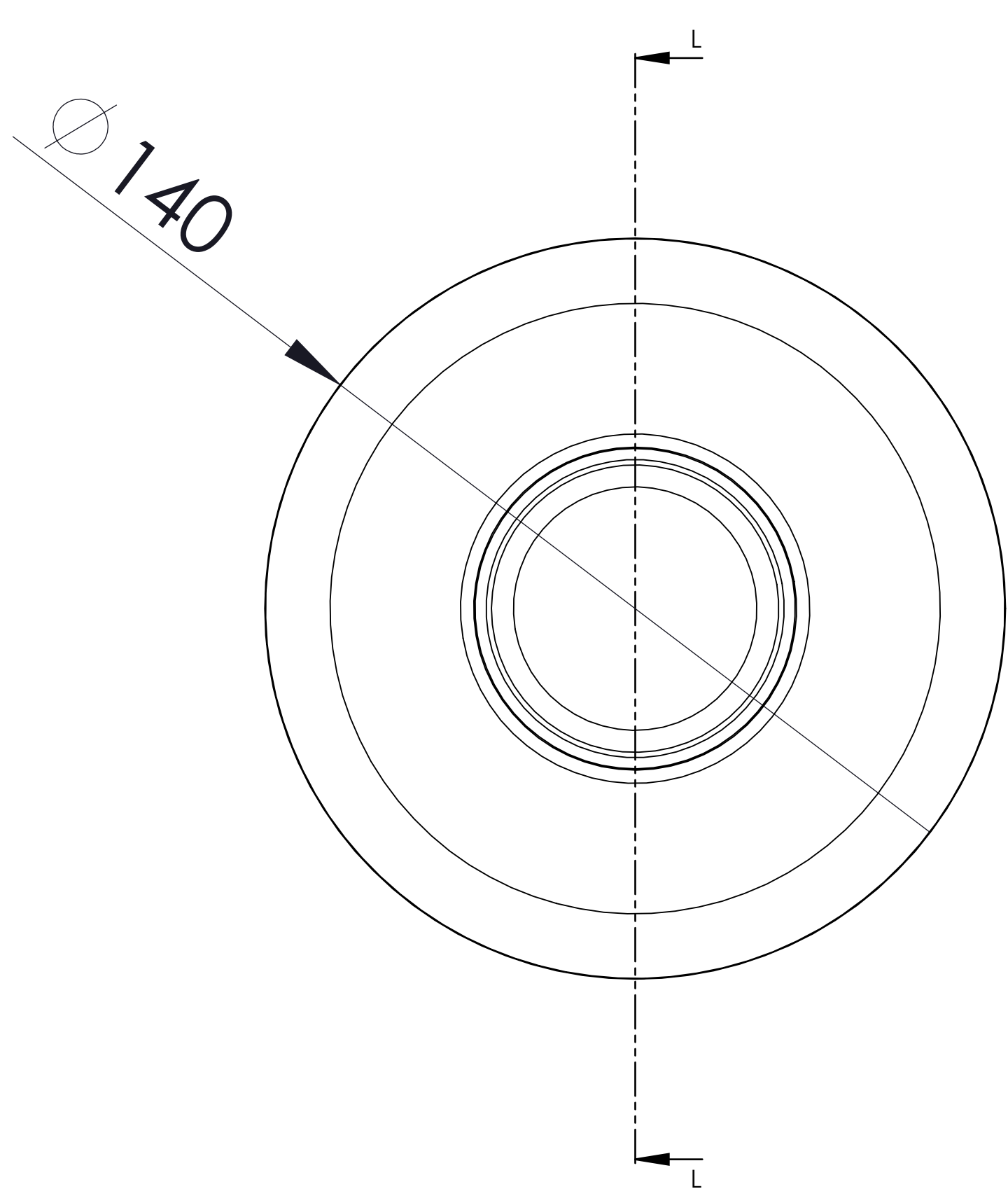


| | |
|-------------------------|---------------|
| GVN STANDARD PRODUCT | Customer |
| DISCHARGE LINE MUFFLERS | Product |
| MF.45b.54.1 | Code |
| | Customer Code |

| DESIGN DATA | |
|-------------------------------|-----------------------|
| Capacity [Lt.] | 5,60L |
| Design Pressure [PS] | 45 Bar |
| Pneumatic Test Pressure [PT] | 50 Bar |
| Hydraulic Test Pressure | 65 Bar |
| Design Temperature [TS] | Min.-20C / Max.+130C |
| Cooler Fluid Type | HFC-CFC-HCFC-R744 |
| Fluid Group | 2 |
| Category | CAT II |
| Desing Calculation | EN 14276-1/EN 13445-3 |
| Welded Joint Efficiency | 0.85 |
| Material Group (Shell / Head) | 1.2 |
| Testing Group | 3b |
| Corrasion Allowance | 0,5 mm |
| Ndt | 10% |
| Packaging Size & Weight | 00*00*00 & 00 Kg. |
| Drawed By | M.ABDULAZİZ |
| Approved By | D.GÜL |
| Date | 28.07.2022 |
| Color | RAL 5009 |

| MATERIAL DATA | | | | | |
|---------------|---------------------------|-----------------|---------------------|----------------------|-----|
| No | Connection | Model | Code | Material | Qty |
| 1 | Inlet - Outlet Connection | ODS 2 1/8" H:40 | 106.060.B10.000.001 | E275 | 2 |
| 2 | Shell | Ø40x3 H:338 | 104.060.140.MF0.001 | EN 10217-3 P355NH | 1 |
| 3 | Head - Torispheric | Ø140x3 H:45 | 201.060.140.001.011 | EN10028-2 P355GH | 2 |



105.008.140.054.001

GENERAL NOTES

- Max. allowable operating pressure (PS) according to the temperature range:
- 1) Allowable operating temperature : min. -20C° / max. +130C° PS1 = 45 Bar
- 2) Allowable operating temperature : min. -40C° / max. -20C° PS2 = 33 Bar
- Unless otherwise specified dimensions in MM
- Unless otherwise specified do not scale
- Unless otherwise specified tube must be clean&free form burrs inside&outside&uitable for soldering
- Unless otherwise specified do not scale indicated thickness are min. after forming or machining
- Unless otherwise specified dimension tolerances according to EN 113445-4

| REVISIONS | | | |
|-----------|-------------------|------|----|
| No | Details Of Change | Date | By |
| 01 | | | |
| 02 | | | |
| 03 | | | |

| RELATED DRAWINGS | | |
|------------------|-------------|------------|
| No | Description | Drawing No |
| 01 | | |
| 02 | | |

| No | Code | Qty |
|----|-------------|-----|
| 1 | M005.000296 | 1 |



We reserve all rights in this document and in the information contained therein. Reproduction use or disclosure to third parties without express authority is strictly forbidden.