

GVN STANDARD PRODUCT

Customer

MECHANICAL OIL LEVEL REGULATOR

Product

OLR.30b.04

Code

Customer Code

DESIGN DATA

Capacity [Lt.]	0,8L
Design Pressure [PS]	30 Bar
Pneumatic Test Pressure [PT]	33 Bar
Hydraulic Test Pressure	43 Bar
Design Temperature [TS]	Min.-20C / Max.+130C
Cooler Fluid Type	HFC-CFC-HCFC
Fluid Group	1
Category	SEP
Desing Calculation	EN 14276-1/EN 13445-3
Welded Joint Efficiency	0.85
Material Group (Shell / Head)	1.2
Testing Group	3b
Corrasion Allowance	0,5 mm
Ndt	10%
Packaging Size & Weight	00*00*00 & 00 Kg.
Drawed By	M.ABDULAZİZ
Approved By	D.GÜL
Date	08.08.2022
Color	RAL 5009

MATERIAL DATA

No	Connection	Model	Code	Material	Qty
1	Deep Drawn	Ø102x2,5 H:119	203.008.001.001.001	DD13 EN10111	1
2	Cover	Ø108x3 H:16	202.033.102.001.001	P355GH	1
3	Oil Return Connection	SAE 3/8"	106.060.Y02.001.004	S235JR	1
4	Flange Connection		107.033.OLR.000.001	ST44	1
5	Sight Glass Type Conn.	SG-SW38 H:27	106.0SW.038.001.001	E275	1
6	Sight Glass	SW38	SW-38	E275-ST44	1

GENERAL NOTES

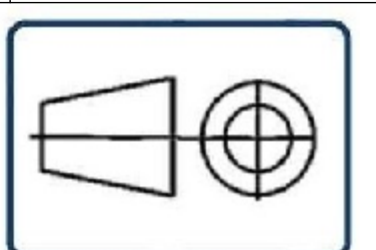
-Max. allowable operating pressure (PS) according to the temperature range;
1) Allowable operating temperature : min. -20C° / max. +130C° PS1 = 30 Bar
2) Allowable operating temperature : min. -40C° / max. -20C° PS2 = 22 Bar
-Unless otherwise specified dimensions in MM
-Unless otherwise specified do not scale
-Unless otherwise specified tube must be clean&free from burrs inside&outside&uitable for soldering
-Unless otherwise specified do not scale indicated thickness are min. after forming or machining
-Unless otherwise specified dimension tolerances according to EN 113445-4

REVISIONS

No	Details Of Change	Date	By
01			
02			
03			

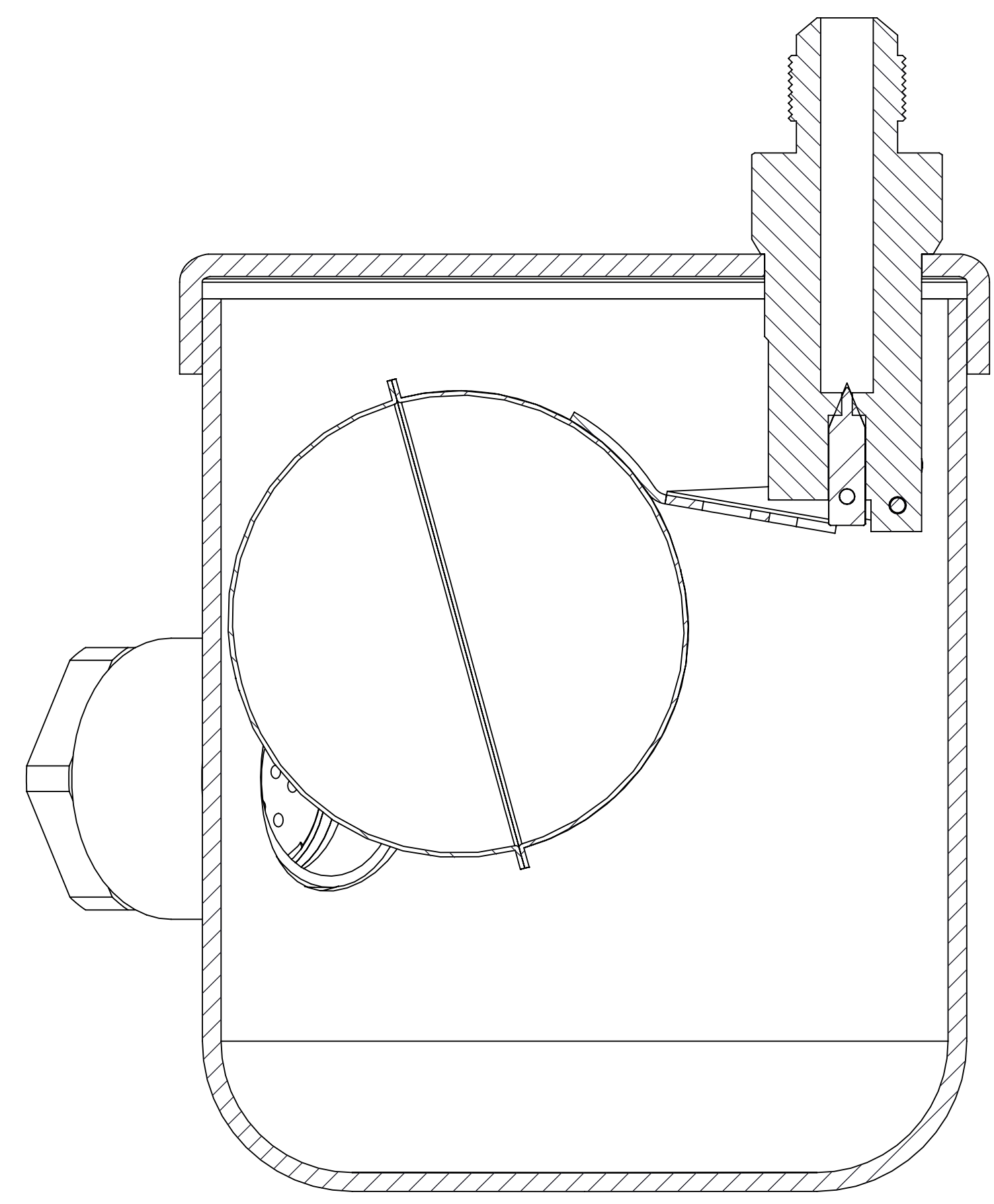
RELATED DRAWINGS

No	Description	Drawing No
01		
02		



No	Code	Qty
1	M004.000335	1

We reserve all rights in this document and in the information contained therein. Reproduction use or disclosure to third parties without express authority is strictly forbidden.



KESIT K-K
ÖLÇEK 1.5 : 1

