

GVN STANDARD PRODUCT Customer

OIL RESERVOIRS Product

OR.130b.12 Code

Customer Code

DESIGN DATA	
Capacity [Lt.]	12,8L
Design Pressure [PS]	130 Bar
Pneumatic Test Pressure [PT]	143 Bar
Hydraulic Test Pressure	186 Bar
Design Temperature [TS]	Min.-20C / Max.+130C
Cooler Fluid Type	HFC-CFC-HCFC-R744
Fluid Group	2
Category	CAT III / H
Desing Calculation	EN 14276-1/EN 13445-3
Welded Joint Efficiency	0.85
Material Group (Shell / Head)	1.2
Testing Group	3b
Corrasion Allowance	0,5 mm
Ndt	10%
Packaging Size & Weight	00*00*00 & 00 Kg.
Drawed By	M.ABDULAZİZ
Approved By	D.GÜL
Date	25.08.2022
Color	RAL 5009

MATERIAL DATA					
No	Connection	Model	Code	Material	Qty
1	Inlet Connection	ODS 1/2" H:60	106.130.B03.000.001	Ø24 ST44-E275	1
2	Outlet Connection	ODS 1/2" H:60	106.130.B03.000.001	Ø24 ST44-E275	1
3	Safety Valve Conn.	NPT 1/2"	106.130.F04.000.001	ST44- E275	1
4	Level Sensor Conn.	NPT 1/2"	106.130.F04.000.001	ST44- E275	1
5	Blind Plug	NPT 1/2"Plug	106.130.F04.001.001	E275	2
6	Charging Connection	NPT 1/4" H:70	106.130.F02.000.002	ST44 - E275	1
7	Diff. Pressure Valve Conn.	NPT 1/4" H:70	106.130.F02.000.002	ST44 - E275	1
8	Blind Plug	NPT 1/4"Plug	106.130.F02.001.001	S235	2
9	Sight Glass Conn.		106.05W.038.002.001	E275	3
10	Sight Glass	SW38	SW-38	E275-ST44	3
11	SHELL	Ø168x6 H:697	204.OR0.130.012.001	P355NH-EN10217-3	1
12	Top Flange	Ø168	107.130.OR0.168.001	P355GH	1
13	Bottom Flange	Ø168	107.130.OSC.168.003	P355GH	1
14	Label Plate	120x80x2	105.006.002.120.080	DD-13	1

GENERAL NOTES

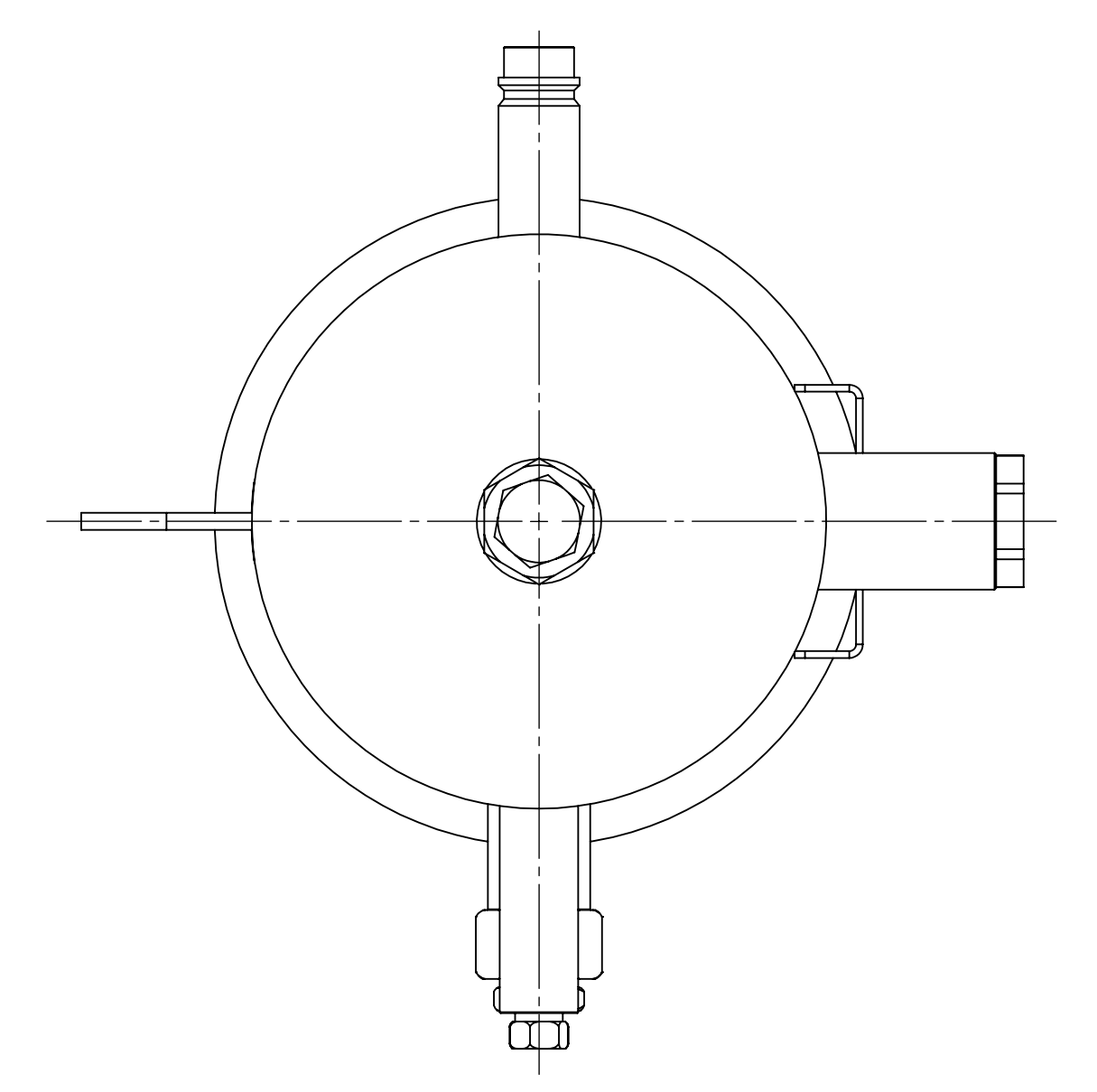
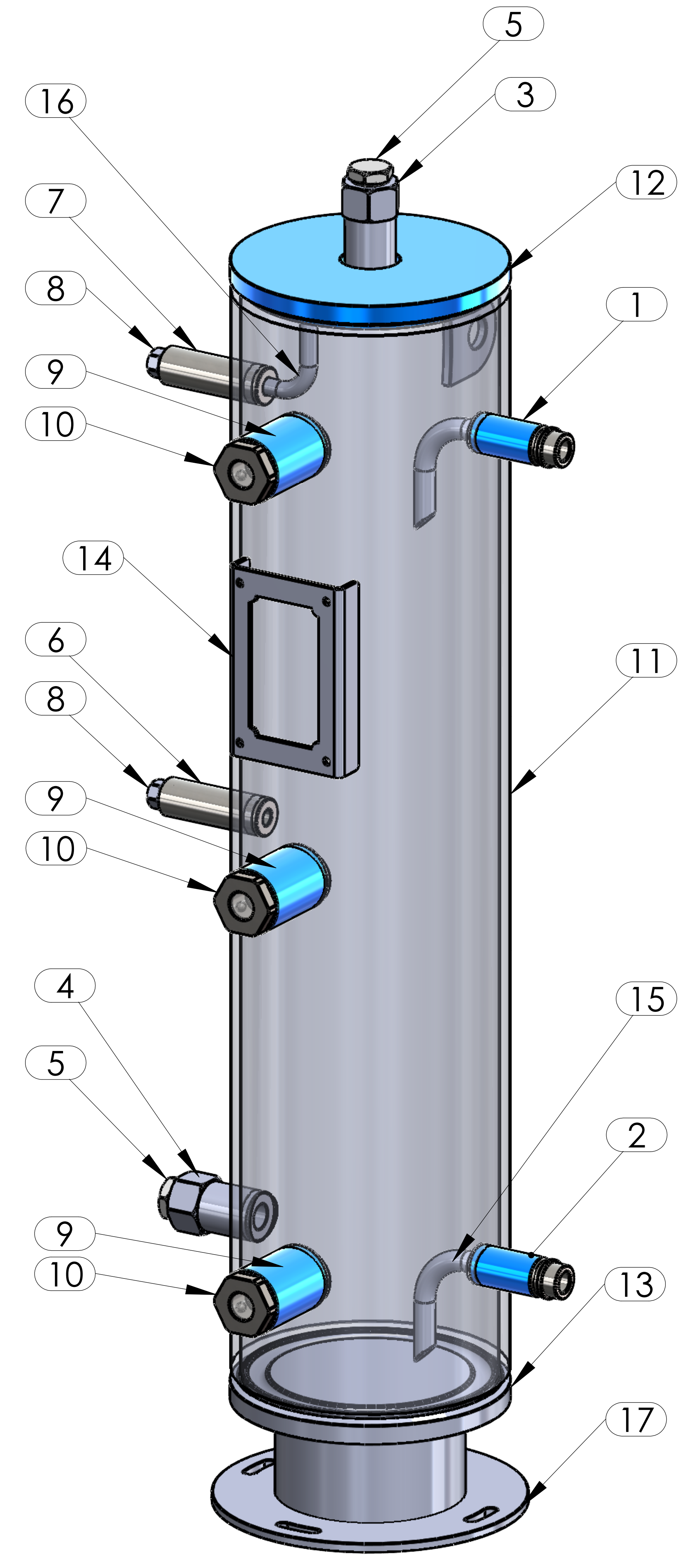
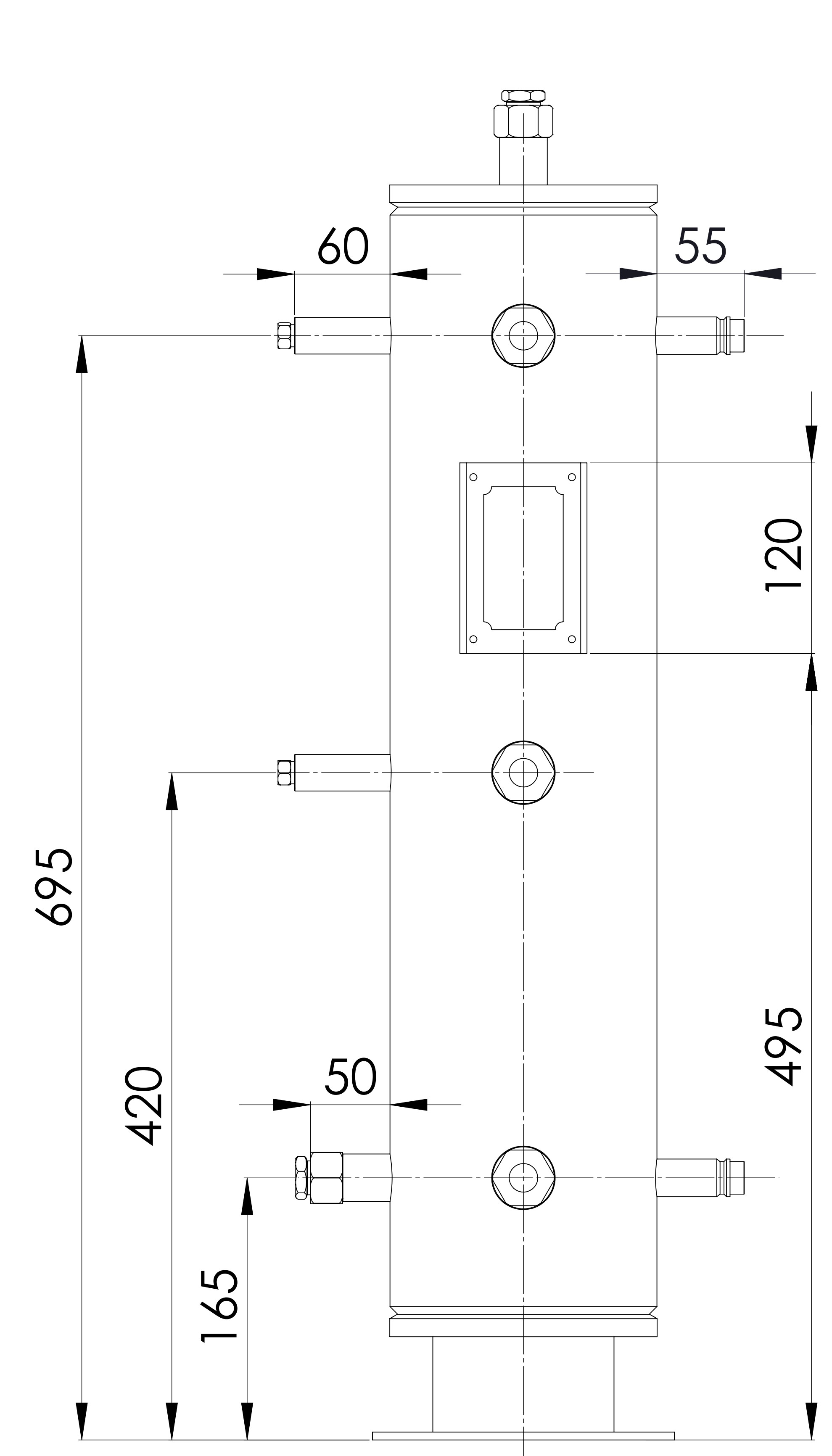
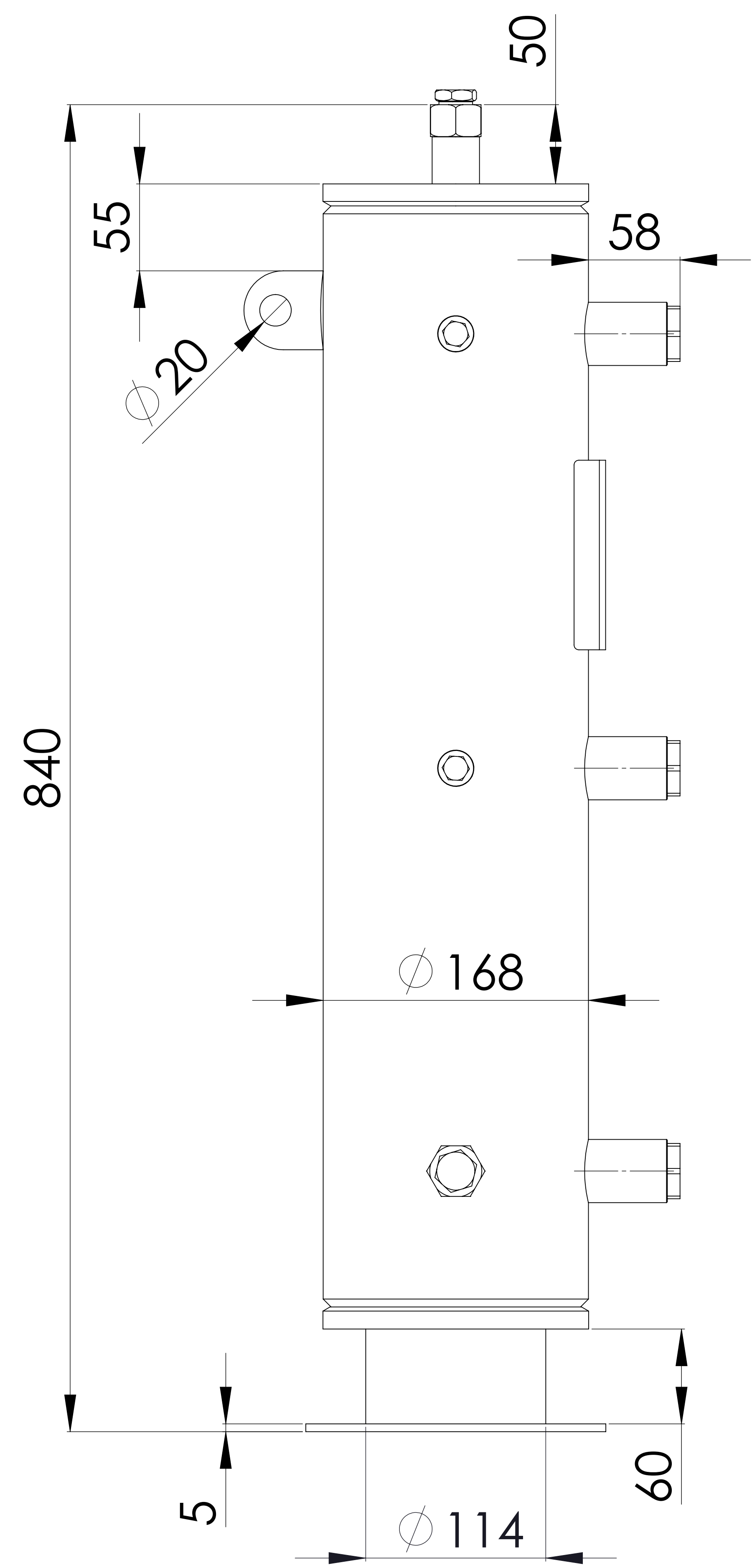
- Max. allowable operating pressure (PS) according to the temperature range;
- 1) Allowable operating temperature : min. -20C° / max. +130C° PS1 = 130 Bar
- 2) Allowable operating temperature : min. -20C° / max. -40C° PS2 = 97.5 Bar
- Unless otherwise specified dimensions in MM
- Unless otherwise specified do not scale
- Unless otherwise specified tube must be clean&free from burrs inside&outside&uitable for soldering
- Unless otherwise specified do not scale indicated thickness are min. after forming or machining
- Unless otherwise specified dimension tolerances according to EN 113445-4

REVISIONS			
No	Details Of Change	Date	By
01			
02			
03			

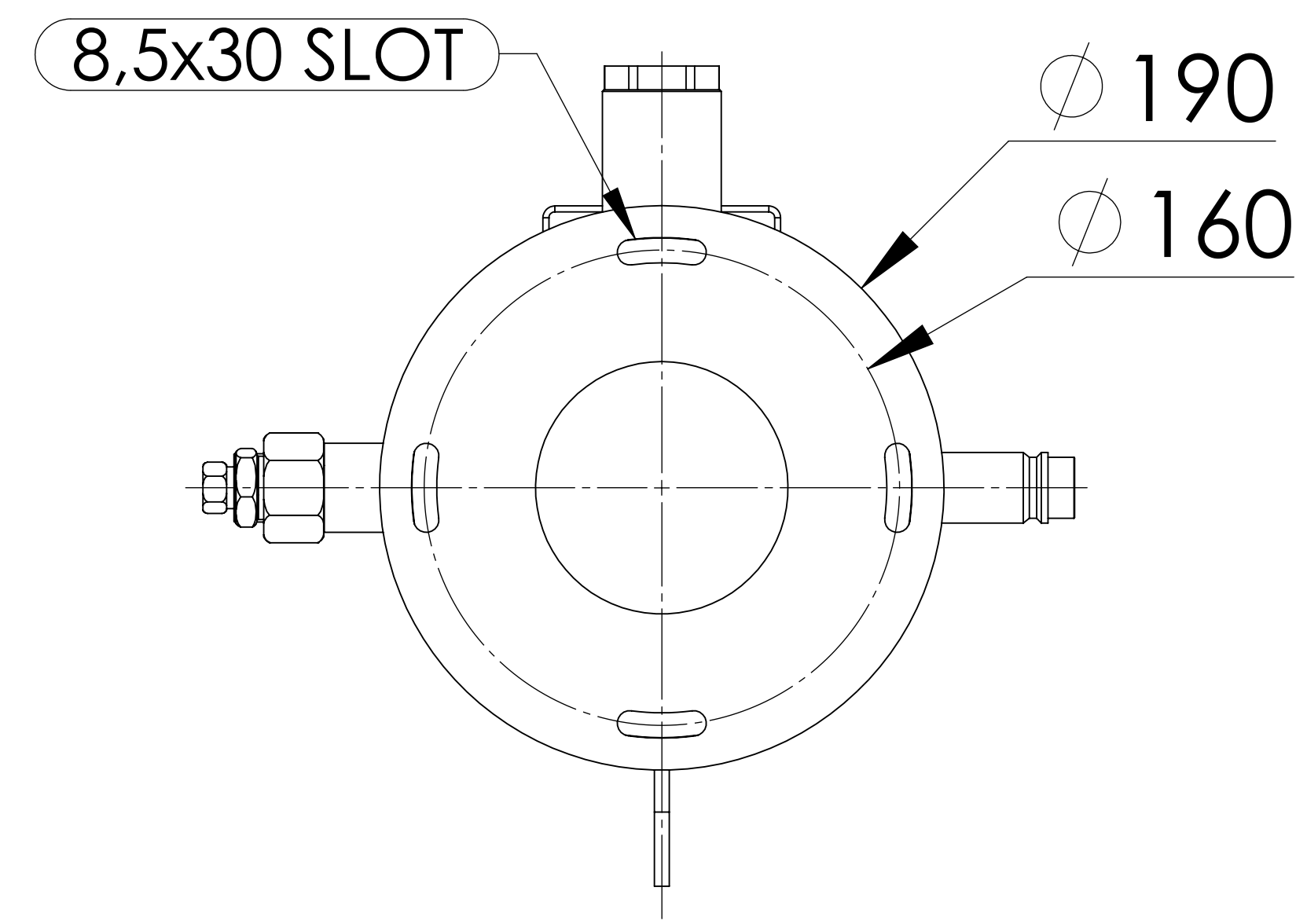
RELATED DRAWINGS		
No	Description	Drawing No
01		
02		



We reserve all rights in this document and in the information contained therein. Reproduction use or disclosure to third parties without express authority is strictly forbidden.



Top View



Bottom View

No	Assembly Codes	Qty
1	M006.000011	1

No	Connection	Model	Code	Material	Qty
15	Pipe	Ø12X1,5	106.060.B03.001.160	EN10297-1-E235	2
16	Pipe	Ø9,7x1	106.060.F02.001.145	EN10297-1-E235	1
17	Base Plate	Ø190x5	105.005.190.001.001	S235JR	1