

**GÜVEN SOĞUTMA**  
**ÜNİTELERİ SAN. VE TİC. A.Ş.**

Addr.: Hastane Mah. Hadimköy İstanbul Cd. No:78/1  
 34555, Arnavutköy, İstanbul, TÜRKİYE  
 Tel: +90 212 771 51 12 - 771 51 13  
 Fax: +90 212 771 51 10  
 www.gvn.com.tr



GVN STANDARD PRODUCT	Customer
OIL RESERVOIRS	Product
OR.30b.16	Code
	Customer Code

DESIGN DATA	
Capacity [Lt.]	15,4L
Design Pressure [PS]	30 Bar
Pneumatic Test Pressure [PT]	33 Bar
Hydraulic Test Pressure	43 Bar
Design Temperature [TS]	Min.-20C / Max.+130C
Cooler Fluid Type	HFC-CFC-HCFC
Fluid Group	2
Category	CAT II / D1
Desing Calculation	EN 14276-1/EN 13445-3
Welded Joint Efficiency	0.85
Material Group (Shell / Head)	1.2
Testing Group	3b
Corrasion Allowance	0,5 mm
Ndt	10%
Packaging Size & Weight	00*00*00 & 00 Kg.
Drawed By	M.ABDULAZİZ
Approved By	D.GÜL
Date	16.08.2022
Color	RAL 5009

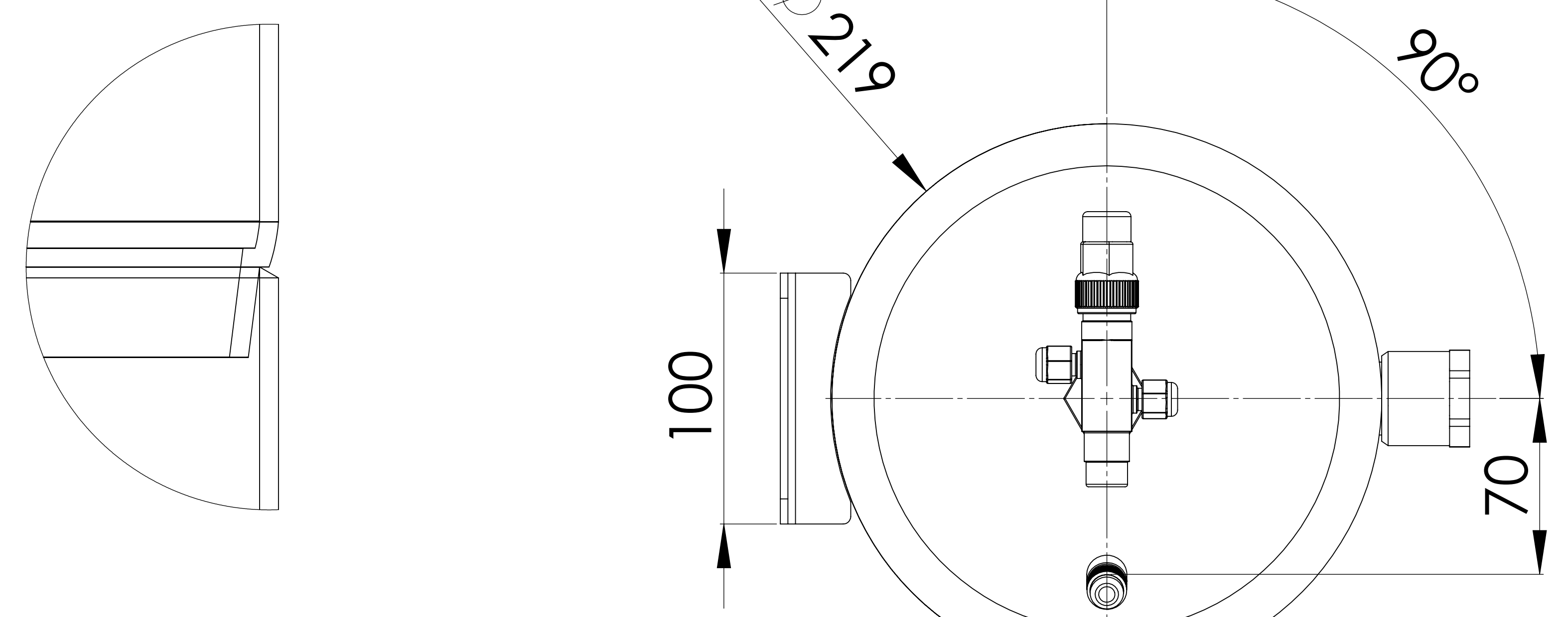
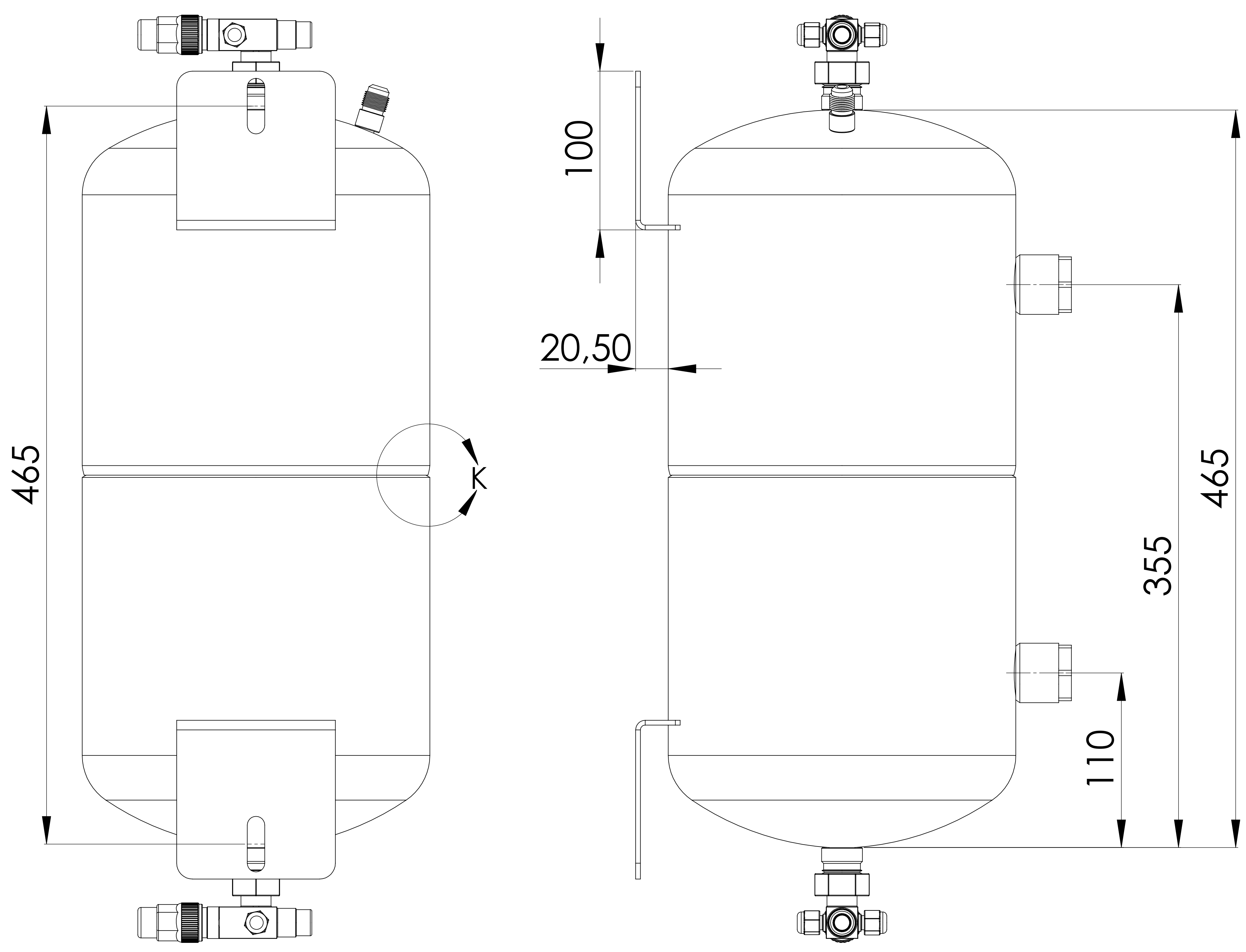
MATERIAL DATA					
No	Connection	Model	Code	Material	Qty
1	Inlet Connection	ROT. 1" H:25	106.060.A02.001.001	E275-ST44	1
2	Inlet Valve	RV.45b-3/8s		E275-ST44	1
3	Outlet Connection	ROT. 1" H:25	106.060.A02.001.001	E275-ST44	1
4	Outlet Valve	RV.45b-3/8s		E275-ST44	1
5	Oil Return Connection	SAE 3/8" H:28	106.060.Y02.001.001	S235JR	1
6	Sight Glass Type Conn.	SG-SW38 H:27	106.05W.038.001.001	E275	2
7	Sight Glass	SW38		E275-ST44	2
8	Deep Drawn	Ø219x2,5 H:242	203.160.001.001.002	EN 10111-DD13	1
9	Deep Drawn	Ø219x235 t:2,5	203.160.002.001.002	DD-13	1
10	Base Plate	100x100x3	105.001.219.001.001	1.0037 (S235JR)	2

**GENERAL NOTES**

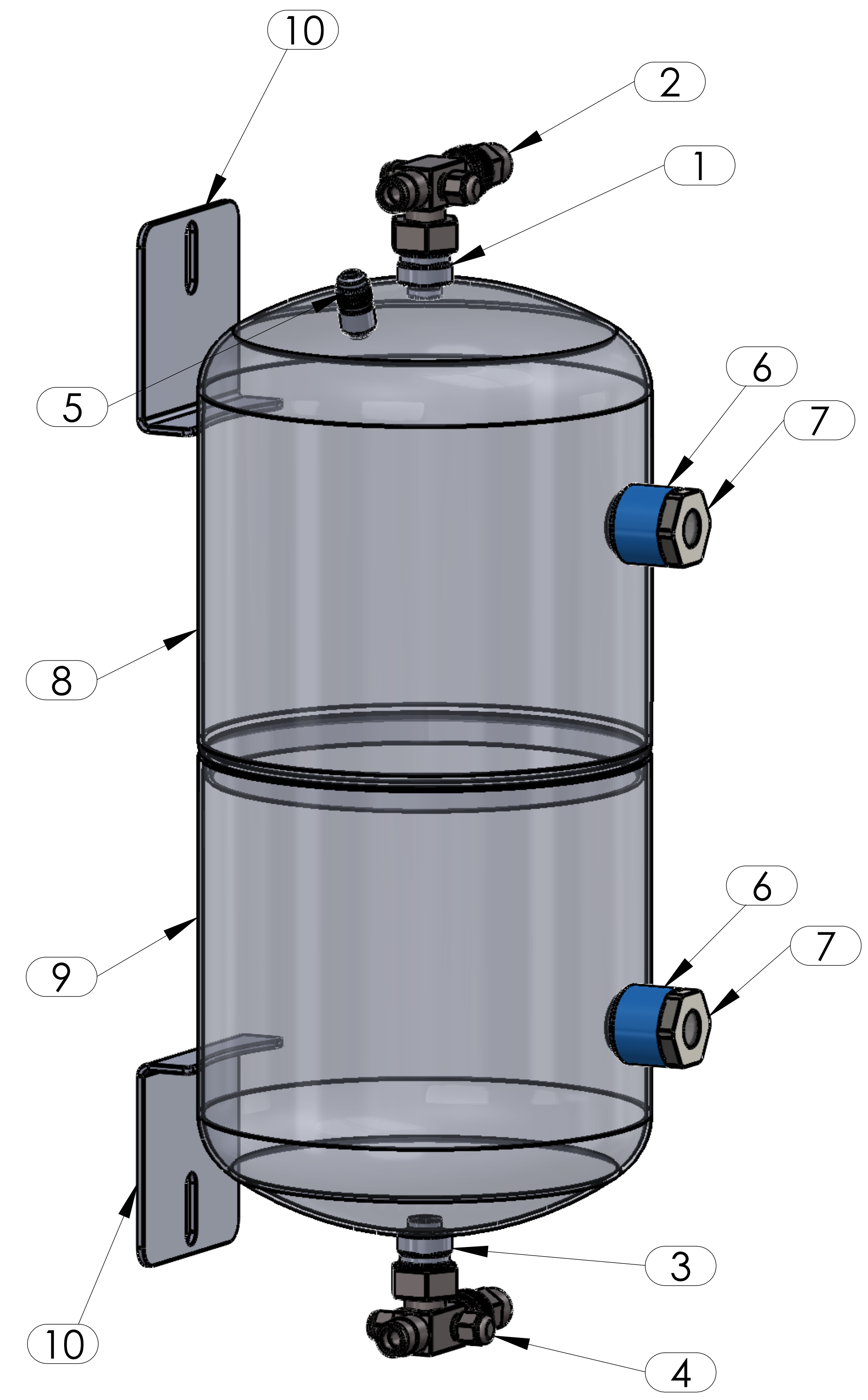
- Max. allowable operating pressure (PS) according to the temperature range;
- 1) Allowable operating temperature : min. -20C° / max. +130C° PS1 = 30 Bar
- 2) Allowable operating temperature : min. -40C° / max. -20C° PS2 = 22 Bar
- Unless otherwise specified dimensions in MM
- Unless otherwise specified do not scale
- Unless otherwise specified tube must be clean&free from burrs inside&outside&uitable for soldering
- Unless otherwise specified do not scale indicated thickness are min. after forming or machining
- Unless otherwise specified dimension tolerances according to EN 113445-4

REVISIONS			
No	Details Of Change	Date	By
01			
02			
03			

RELATED DRAWINGS		
No	Description	Drawing No
01		
02		



Detail: K  
2:1



No	Assembly Codes	Qty
1	M001.000062	1
4		1



We reserve all rights in this document and in the information contained therein. Reproduction use or disclosure to third parties without express authority is strictly forbidden.