

GÜVEN SOĞUTMA
ÜNİTELERİ SAN. VE TİC. A.Ş.

Addr.: Hastane Mah. Hadimköy İstanbul Cd. No:78/1
34555, Arnavutköy, İstanbul, TÜRKİYE
Tel: +90 212 771 51 12 - 771 51 13
Fax: +90 212 771 51 10
www.gvn.com.tr



GVN STANDARD PRODUCT Customer

OIL RESERVOIRS Product

OR.45b.04 Code

Customer Code

DESIGN DATA

Capacity [Lt.]	4 L
Design Pressure [PS]	45 Bar
Pneumatic Test Pressure [PT]	50 Bar
Hydraulic Test Pressure	65 Bar
Design Temperature [TS]	Min.-20C / Max.+130C
Cooler Fluid Type	HFC-CFC-HCFC-R744
Fluid Group	2
Category	CAT I
Desing Calculation	EN 14276-1/EN 13445-3
Welded Joint Efficiency	0.85
Material Group (Shell / Head)	1.2
Testing Group	3b
Ndt	ACC. TO EN 14276-1
Packaging Size & Weight	00*00*00 & 00 Kg.
Drawn By	M.ABDULAZİZ
Approved By	D.GÜL
Date	17.08.2022
Color	RAL 5009

MATERIAL DATA

No	Connection	Model	Code	Material	Qty
1	Inlet Connection	ROT. 1" H:25	106.060.A02.001.001	E275-ST44	1
2	Inlet Valve	RV.45b-3/8s			1
3	Outlet Connection	ROT. 1" H:25	106.060.A02.001.001	E275-ST44	1
4	Outlet Valve	RV.45b-3/8s			1
5	Oil Return Connection	SAE 3/8" H:28	106.060.Y02.001.001	S235JR	1
6	Sight Glass Type Conn.	SG-SW38 H:27	106.05W.038.001.001	E275	2
7	Sight Glass	SW38		E275-ST44	2
8	SHELL	Ø140x3 H:225,50	204.OR0.60B.004.001	P355NH-EN10217-3	1
9	Head - Torispheric	Ø140x3 H:52	201.060.140.001.013	P355GH EN 10028-2	1
10	Head - Torispheric	Ø140x3 H:52	201.060.140.001.012	P355GH EN 10028-2	1
11	Base Plate	80x80x3	105.001.140.001.001	1.0037 (S235JR)	2

GENERAL NOTES

-Max. allowable operating pressure (PS) according to the temperature range:
1) Allowable operating temperature : min. -20C° / max. +130C° PS1 = 45 Bar
2) Allowable operating temperature : min. -40C° / max. -20C° PS2 = 33 Bar
-Unless otherwise specified do not scale
-Unless otherwise specified tube must be clean&free form burrs inside&outside& suitable for soldering
-Unless otherwise specified do not scale indicated thickness are min. after forming or machining
-Unless otherwise specified dimension tolerances according to EN 113445-4

REVISIONS

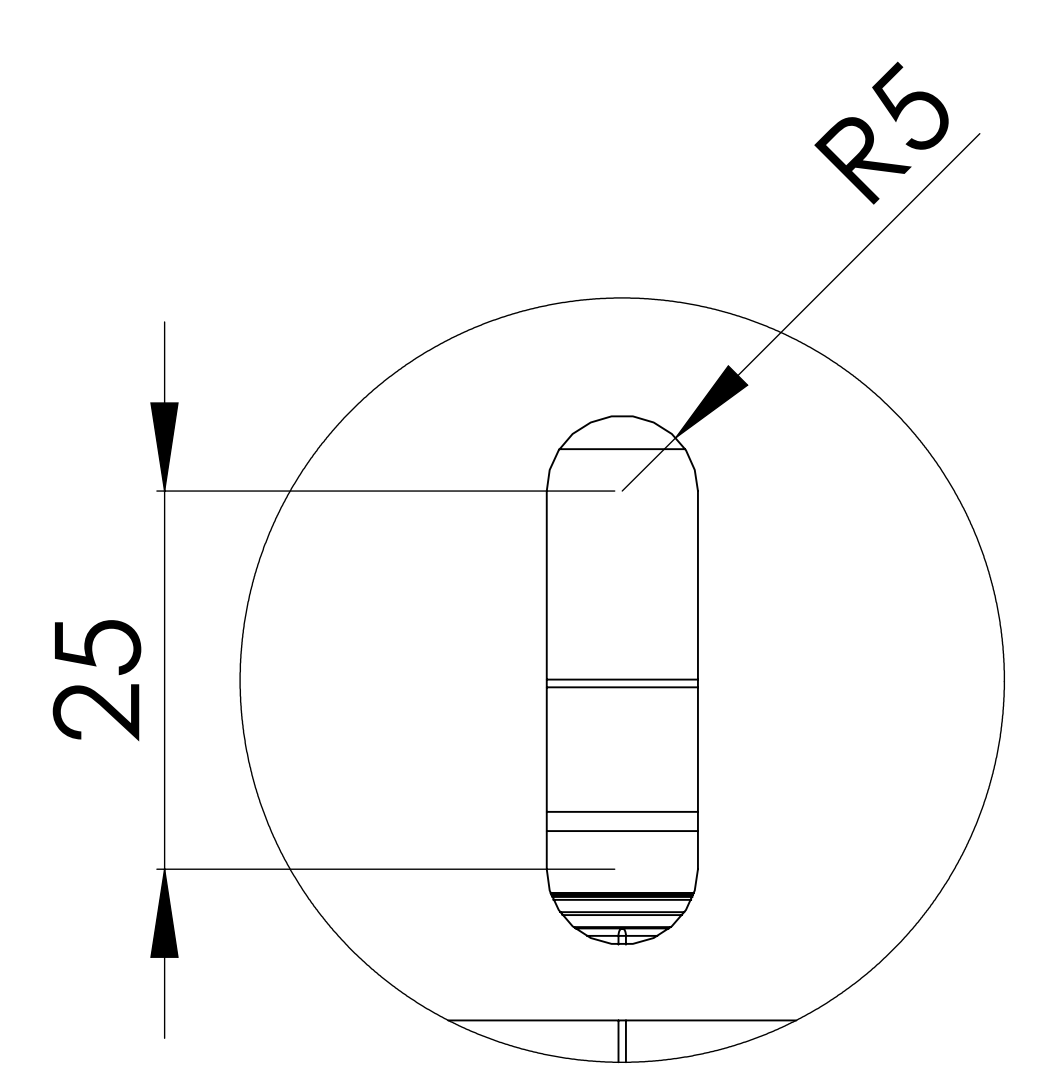
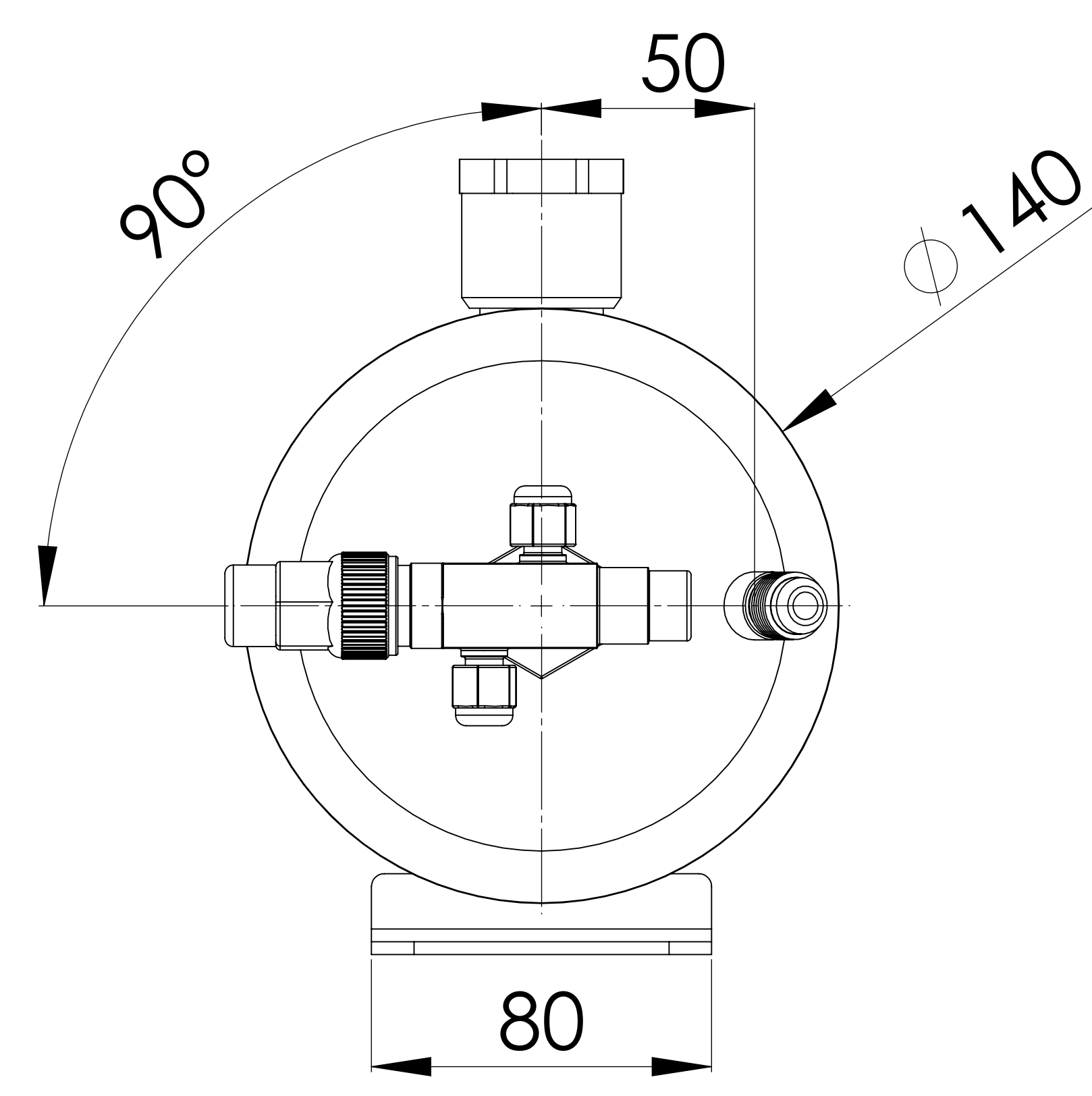
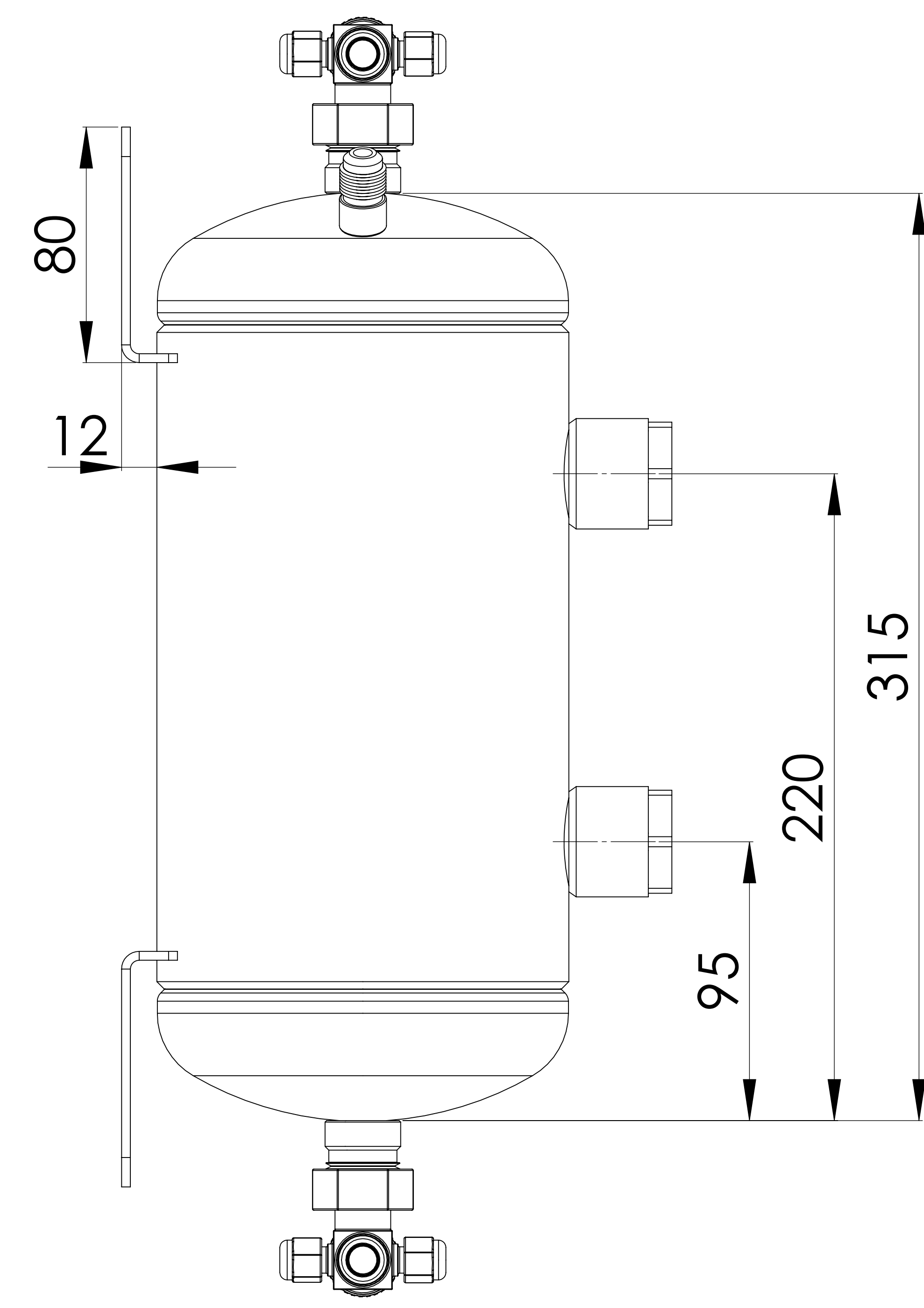
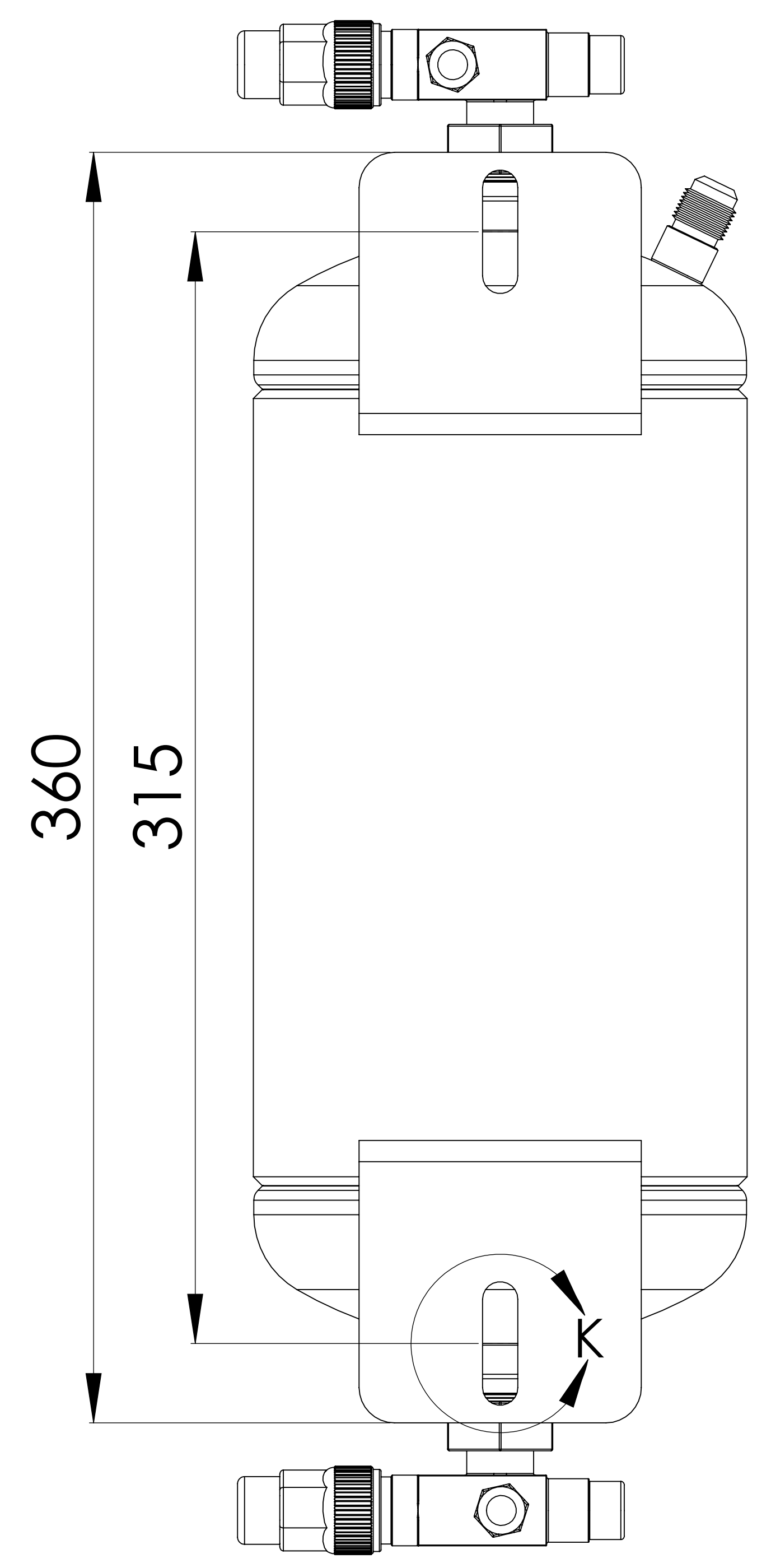
No	Details Of Change	Date	By
01			
02			
03			

RELATED DRAWINGS

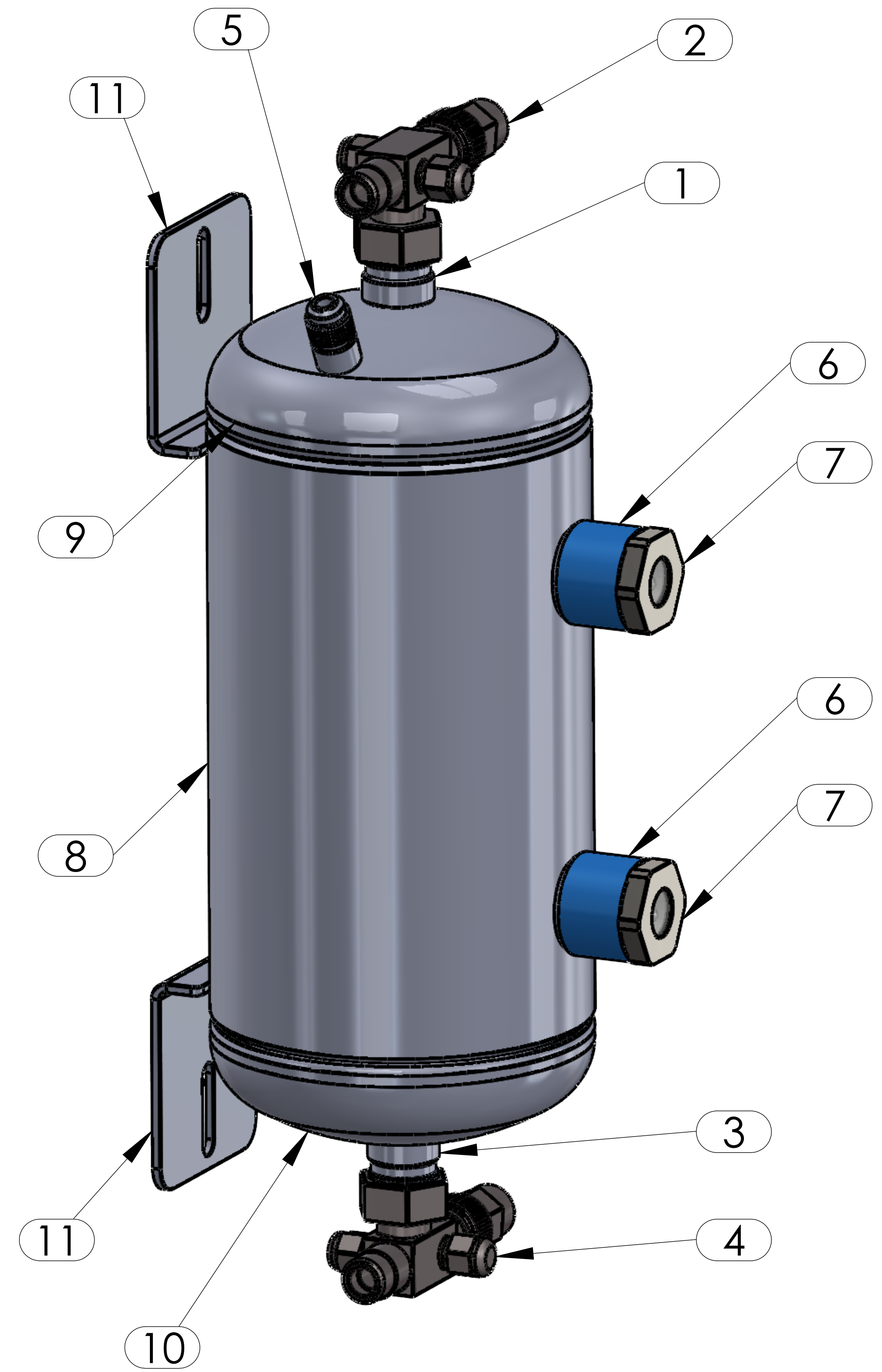
No	Description	Drawing No
01		
02		



We reserve all rights in this document and in the information contained therein. Reproduction use or disclosure to third parties without express authority is strictly forbidden.



DETAY K
ÖLÇEK 2 : 1



No	Assembly Codes	Qty
1	M001.000065	1
4		1