

GVN STANDARD PRODUCT **Customer**

OIL RESERVOIRS **Product**

**OR.60b.40** **Code**

**Customer Code**

**DESIGN DATA**

Capacity [Lt.]	40L
Design Pressure [PS]	60 Bar
Pneumatic Test Pressure [PT]	66 Bar
Hydraulic Test Pressure	86 Bar
Design Temperature [TS]	Min.-20C / Max.+130C
Cooler Fluid Type	HFC-CFC-HCFC-R744
Fluid Group	2
Category	CAT III / H
Desing Calculation	EN 14276-1/EN 13445-3
Welded Joint Efficiency	0.85
Material Group (Shell / Head)	1.2
Testing Group	3b
Corrasion Allowance	0,5 mm
Ndt	10%
Packaging Size & Weight	00*00*00 & 00 Kg.
Drawed By	M.ABDULAZIZ
Approved By	D.GÜL
Date	22.08.2022
Color	RAL 5009

**MATERIAL DATA**

No	Connection	Model	Code	Material	Qty
1	Inlet Connection	ROT. 1" H:25	106.060.A02.001.001	E275-ST44	1
2	Inlet Valve	RV.60b-5/8"	RV.60b- 5 8		1
3	Outlet Connection	ROT. 1" H:25	106.060.A02.001.001	E275-ST44	1
4	Outlet Valve	RV.60b-5/8"	RV.60b- 5 8		1
5	Safety Valve Conn.	1/2" NPT H:50	106.060.F04.000.003	E275-ST44	1
6	Oil Return Connection	SAE 3/8" H:28	106.060.Y02.001.001	S235JR	1
7	Sight Glass Type Conn.	SG-SW38	106.05W.038.001.040	E275	3
8	Sight Glass	SW38	SW-38	E275-ST44	3
9	Blind Plug	NPT 1/2"Plug	106.130.F04.001.001	E275	1
10	Head - Torispheric	Ø273x5 H:95	101.060.273.001.000	P355GH-EN10028-2	1
11	Head - Torispheric	Ø273x5 H:95	201.060.273.001.002	P355GH-EN10028-2	1
12	SHELL	Ø273x6 H:611,50	204.OR0.60B.040.001	P355NH-EN10217-3	1
13	PIPE	Ø13x1	204.A13.010.001.185	EN10297-1 E235	1
14	Label Plate	120x80x2	105.006.002.120.080	DD-13	1

**GENERAL NOTES**

-Max. allowable operating pressure (PS) according to the temperature range:  
 1) Allowable operating temperature : min. -20C° / max. +130C° PS1 = 60 Bar  
 2) Allowable operating temperature : min. -40C° / max. -20C° PS2 = 45 Bar  
 -Unless otherwise specified dimensions in MM  
 -Unless otherwise specified do not scale  
 -Unless otherwise specified tube must be clean&free form burrs inside&outside&uitable for soldering  
 -Unless otherwise specified do not scale indicated thickness are min. after forming or machining  
 -Unless otherwise specified dimension tolerances according to EN 113445-4

**REVISIONS**

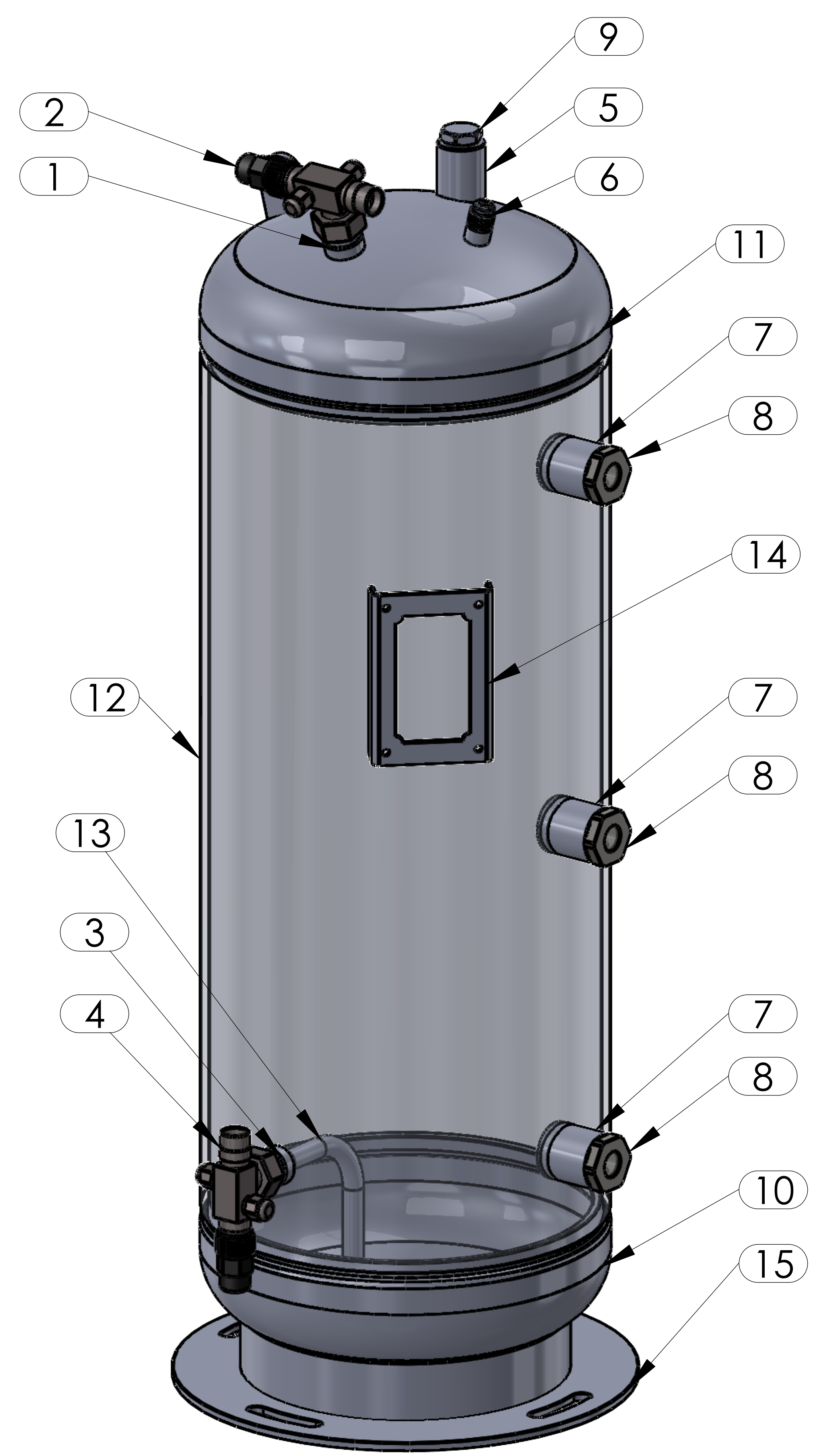
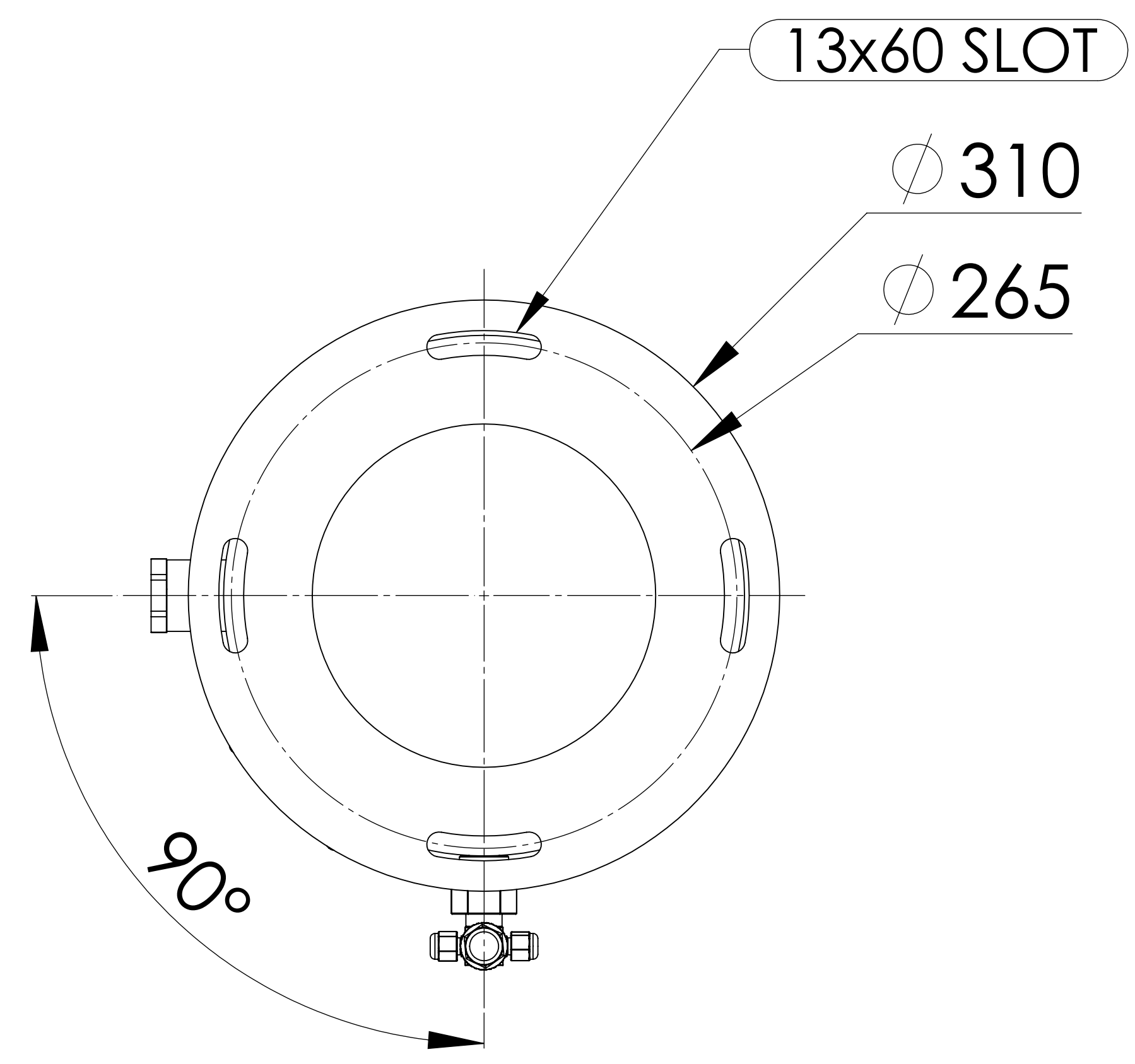
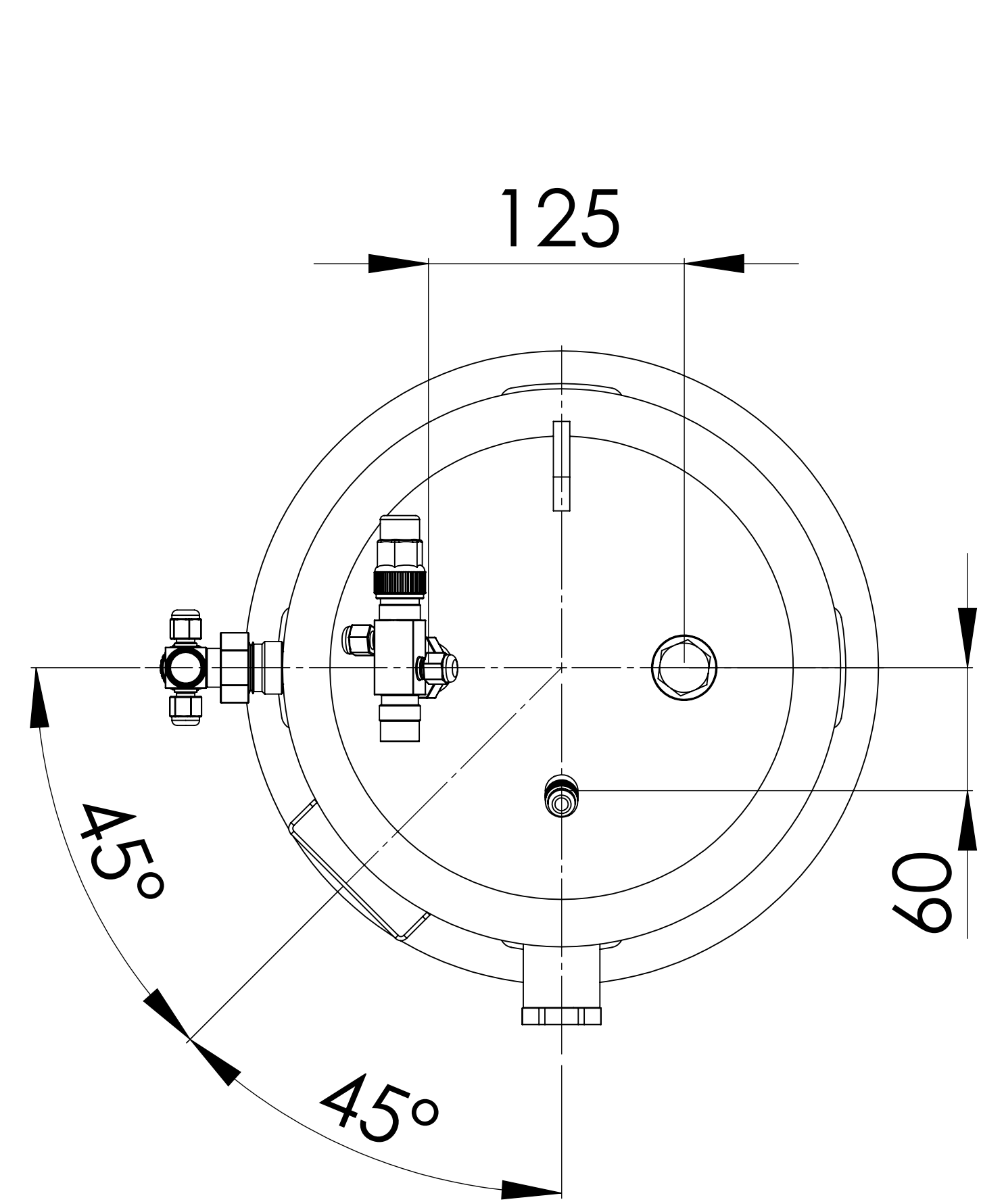
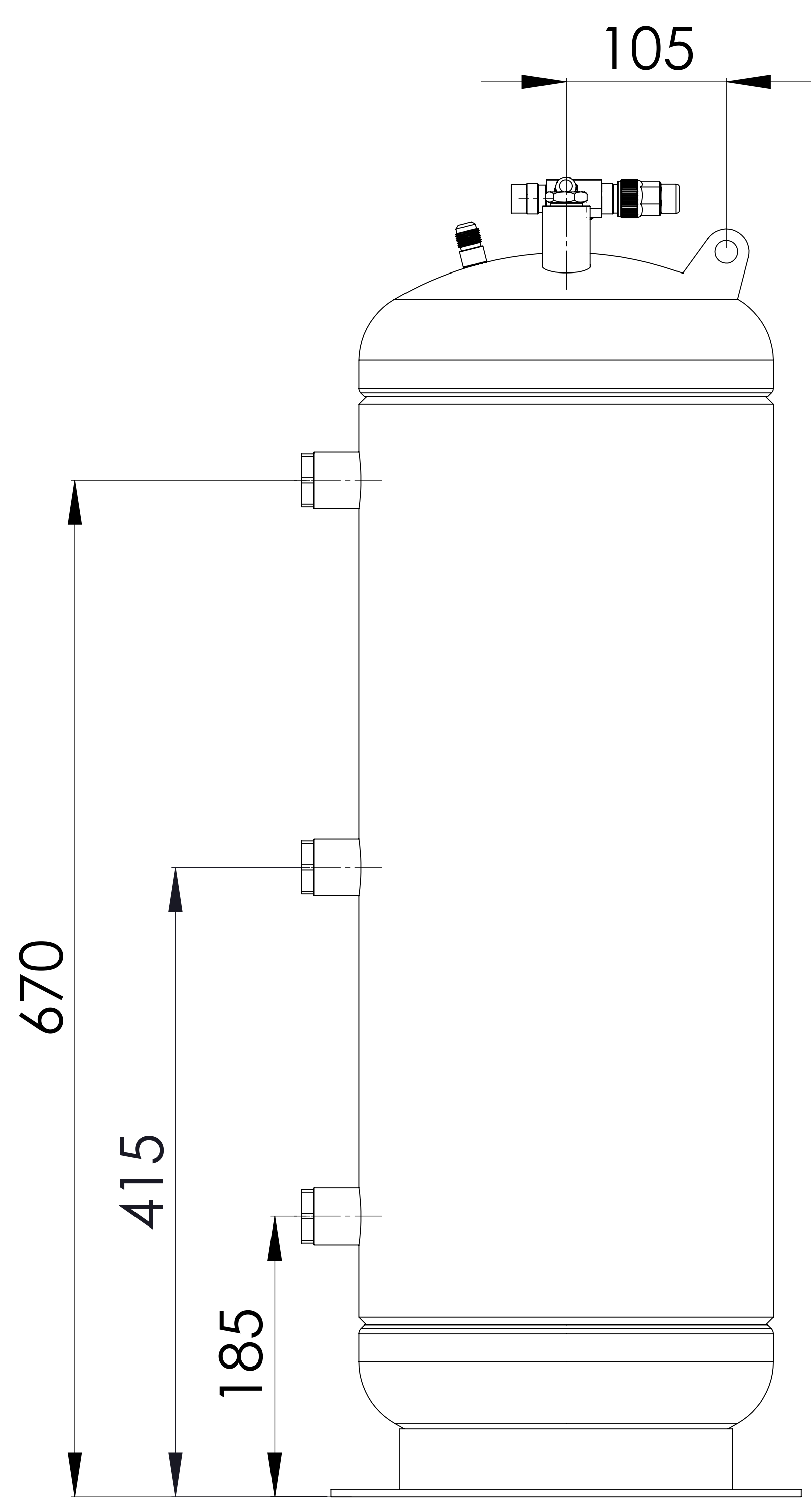
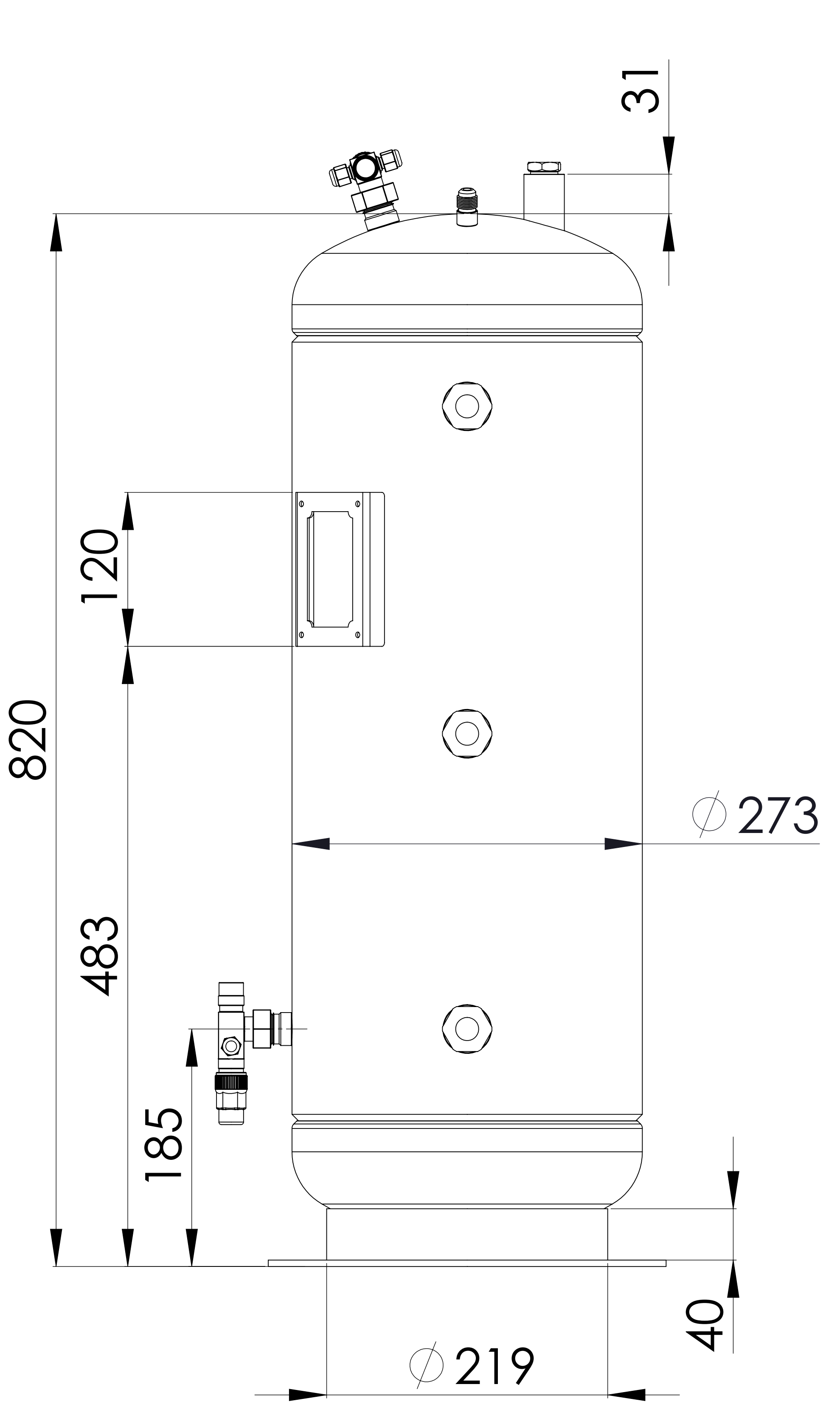
No	Details Of Change	Date	By
01			
02			
03			

**RELATED DRAWINGS**

No	Description	Drawing No
01		
02		



We reserve all rights in this document and in the information contained therein. Reproduction use or disclosure to third parties without express authority is strictly forbidden.



No	Assembly Codes	Qty
1	M005.000315	1

No	Connection	Model	Code	Material	Qty
15	Base Plate	310x5	105.005.310.001.001	S235	1