

GÜVEN SOĞUTMA
ÜNİTELERİ SAN. VE TİC. A.Ş.

Addr.: Hastane Mah. Hadimköy İstanbul Cd. No:78/1
34555, Arnavutköy, İstanbul, TÜRKİYE
Tel: +90 212 771 51 12 - 771 51 13
Fax: +90 212 771 51 10
www.gvn.com.tr



GVN STANDART PRODUCT **Customer**

CONVENTIONAL OIL SEPARATORS **Product**

OS.30b.16.1 **Code**

Customer Code

DESIGN DATA

Capacity [Lt.]	0,6 Lt. / 2,1 Lt.
Design Pressure [PS]	30 Bar
Pneumatic Test Pressure [PT]	33 Bar
Hydraulic Test Pressure	43 Bar
Design Temperature [TS]	Min.-20C / Max.+130C
Cooler Fluid Type	HFC-CFC-HCFC
Fluid Group	2
Category	CAT I / A
Desing Calculation	EN 14276-1/EN 13445-3
Welded Joint Efficiency	0.85
Material Group (Shell / Head)	1.2
Testing Group	3b
Corrasion Allowance	0,5 mm
Ndt	10%
Packaging Size & Weight	00*00*00 & 00 Kg.
Drawed By	Ö.TÜRKER
Approved By	D.GÜL
Date	04.03.2022
Color	RAL 5009

MATERIAL DATA

No	Connection	Model	Code	Material	Qty
1	Inlet Connection	ODS 5/8" H:70	106.060.B04.000.002	Ø24 ST44-E273	1
2	Outlet Connection	ODS 5/8" H:70	106.060.B04.000.002	Ø24 ST44-E273	1
3	Oil Return Connection	SAE 3/8" H:51,5	106.060.Y02.001.003	E275	1
4	Cover	Ø114x4 H:20	202.030.114.OS0.001	P355GH	1
5	Shell	Ø114x3 H:214	104.060.114.OS0.001	EN 10217-3 P355GH	1
6	Head	Ø114x3 H:31	101.045.114.001.000	P355GH-EN10028-2	1
7	Knock-out bolt	M10x20	109.100.020.999.C01	DIN 7991-10.9	1
8	Base Plate	Ø90x2,5 H:13,5	105.004.085.001.001	EN 10111-DD-13	1

GENERAL NOTES

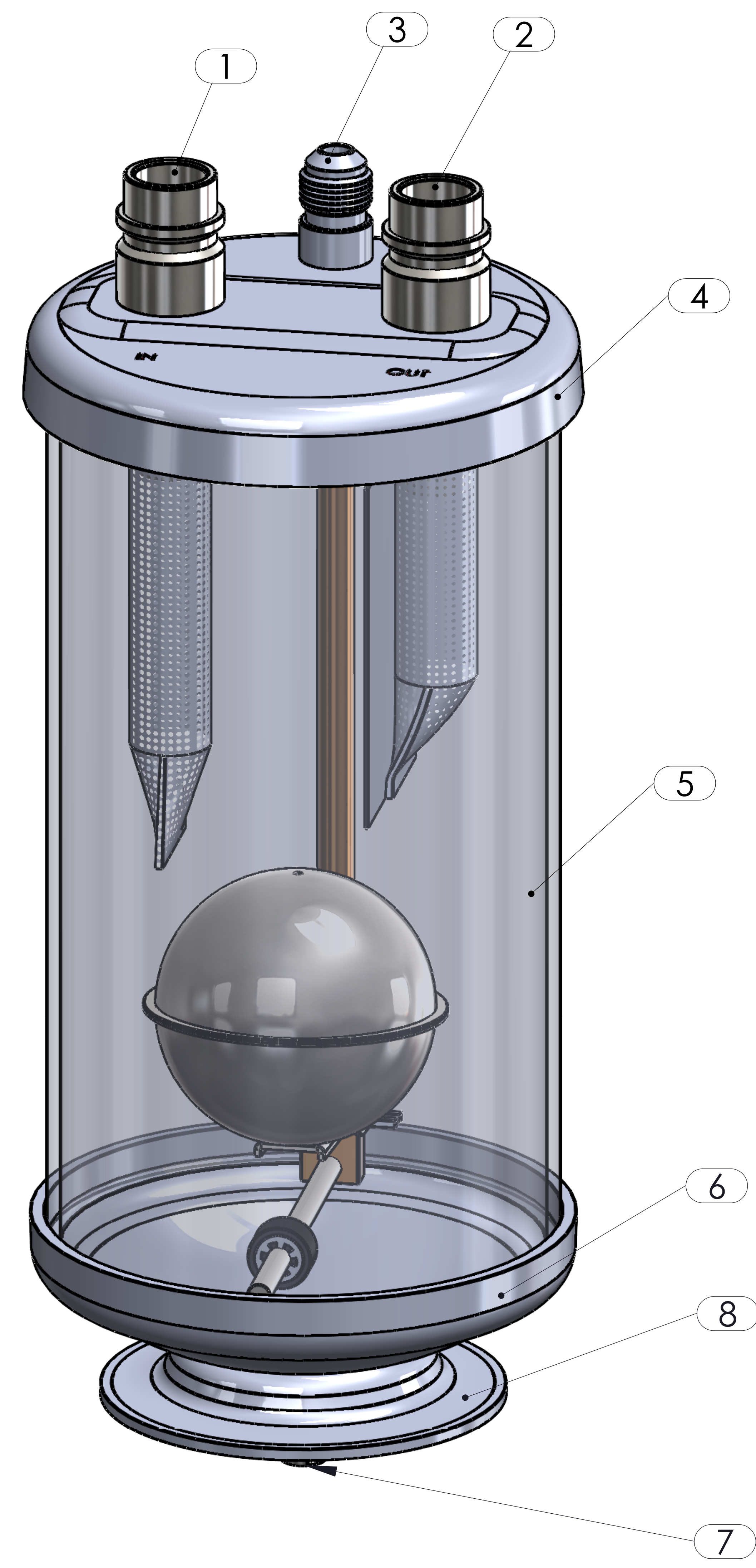
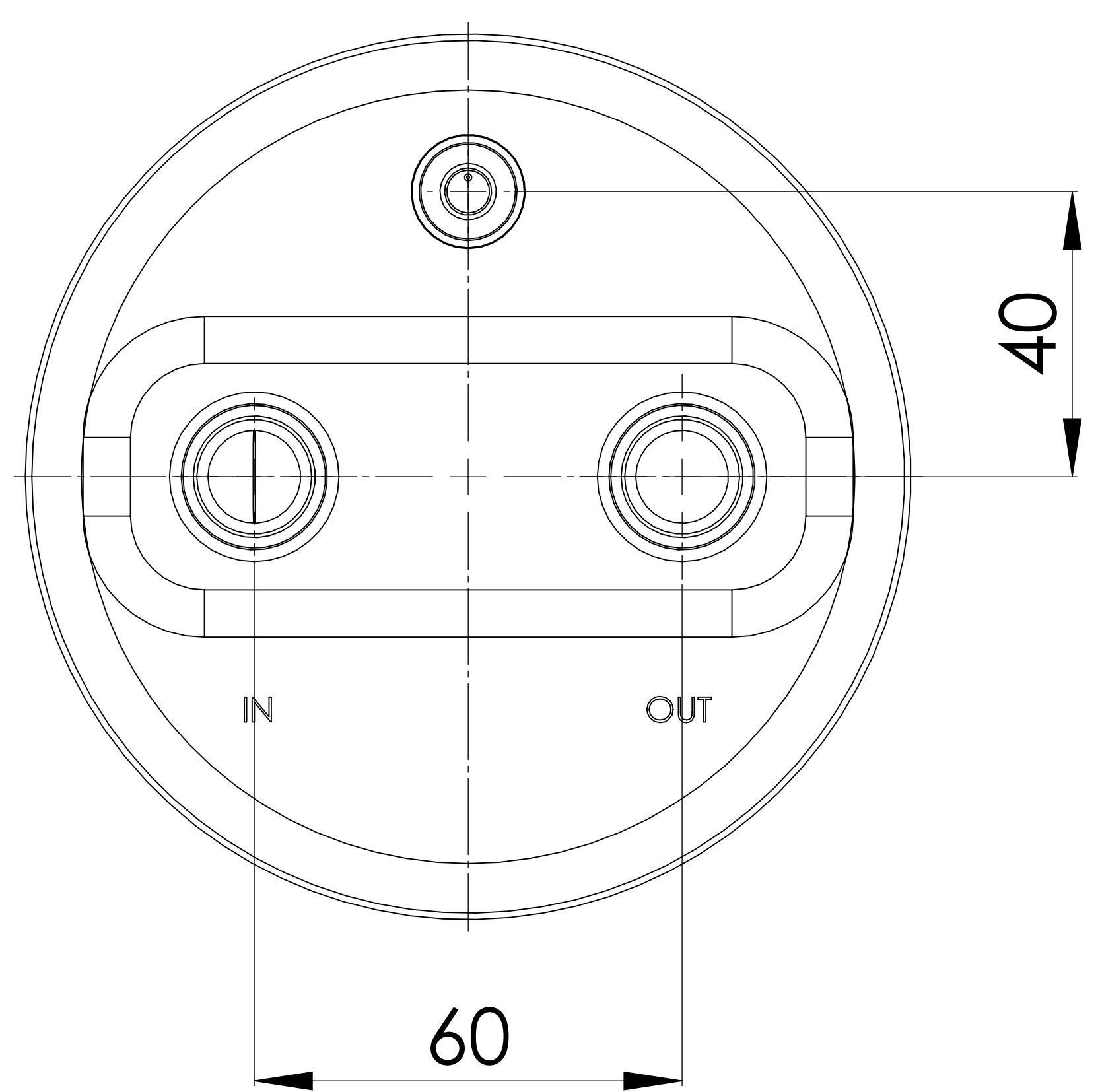
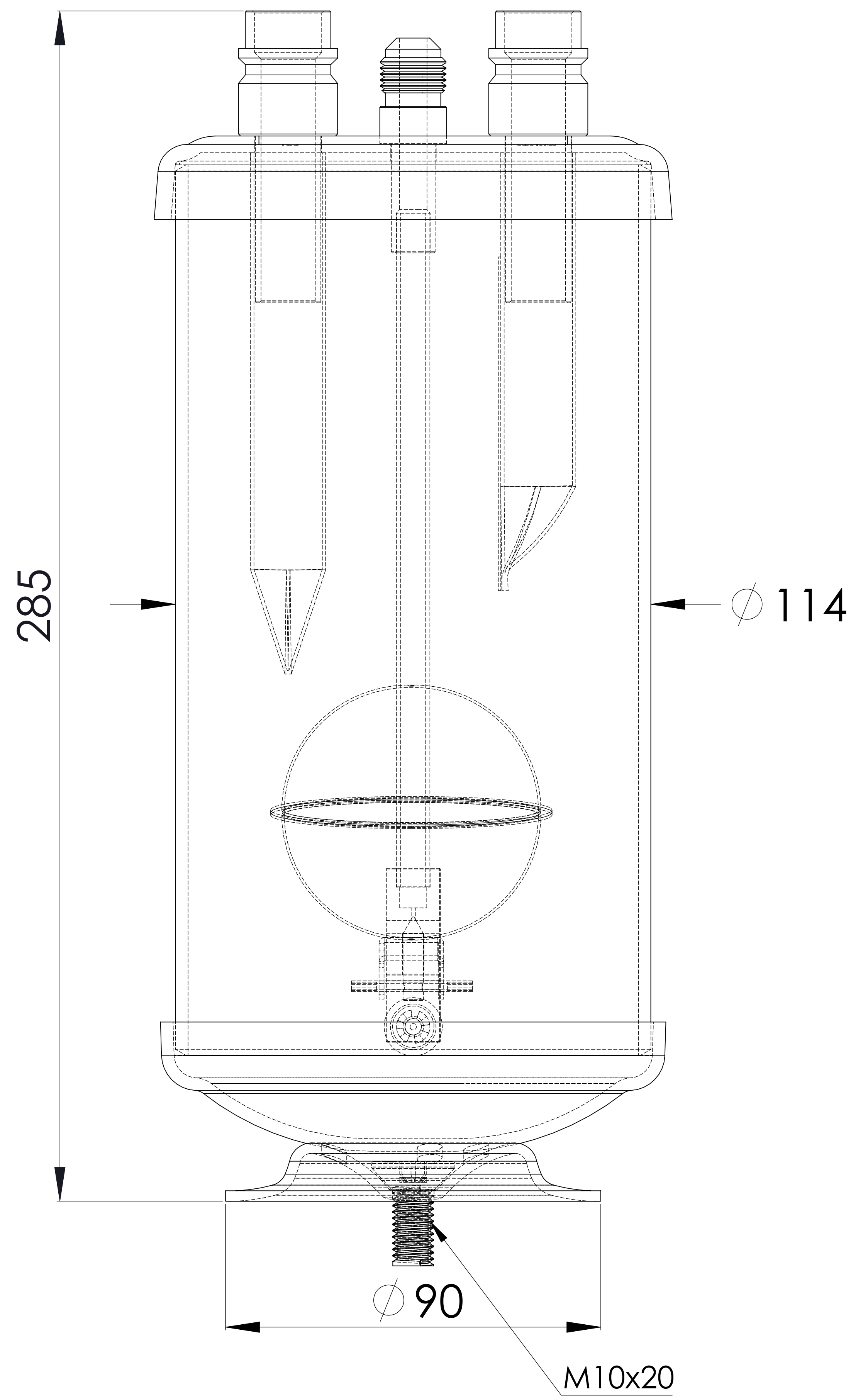
-Max. allowable operating pressure (PS) according to the temperature range;
1) Allowable operating temperature : min. -20C° / max. +130C° PS1 = 30 Bar
2) Allowable operating temperature : min. -40C° / max. -20C° PS2 = 22 Bar
-Unless otherwise specified dimensions in MM
-Unless otherwise specified do not scale
-Unless otherwise specified tube must be clean&free from burrs inside&outside&uitable for soldering
-Unless otherwise specified do not scale indicated thickness are min. after forming or machining
-Unless otherwise specified dimension tolerances according to EN 113445-4

REVISIONS

No	Details Of Change	Date	By
01	Ayak tipi V85 olarak değiştirildi	07.06.2022	M.ABDULAZİZ
02			
03			

RELATED DRAWINGS

No	Description	Drawing No
01		
02		



No	Assembly Codes	Qty
1	M005.000264	1



We reserve all rights in this document and in the information contained therein. Reproduction use or disclosure to third parties without express authority is strictly forbidden.