

<b>GVN STANDART PRODUCT</b>	<b>Customer</b>
<b>CONVENTIONAL OIL SEPARATORS</b>	<b>Product</b>
<b>OS.30b.54.1</b>	<b>Code</b>
	<b>Customer Code</b>

DESIGN DATA	
Capacity [Lt.]	1,6 Lt. / 7,8 Lt.
Design Pressure [PS]	30 Bar
Pneumatic Test Pressure [PT]	33 Bar
Hydraulic Test Pressure	43 Bar
Design Temperature [TS]	Min.-20C / Max.+130C
Cooler Fluid Type	HFC-CFC-HCFC
Fluid Group	2
Category	CAT II / D1
Desing Calculation	EN 14276-1/EN 13445-3
Welded Joint Efficiency	0.85
Material Group (Shell / Head)	1.2
Testing Group	3b
Corrasion Allowance	0,5 mm
Ndt	10%
Packaging Size & Weight	00*00*00 & 00 Kg.
Drawed By	Ö.TÜRKER
Approved By	D.GÜL
Date	04.03.2022
Color	RAL 5009

MATERIAL DATA						
No	Connection	Model	Code	Material	Qty	
1	Inlet Connection	ODS 2 1/8"	106.033.B10.000.003	ST44-E275	1	
2	Outlet Connection	ODS 2 1/8"	106.033.B10.000.003	ST44-E275	1	
3	Oil Return Connection	SAE 3/8" H:51,5	106.060.Y02.001.003	E275	1	
4	Cover	Ø168x4 H:26	202.030.168.OOS.002	P355GH	1	
5	Shell	Ø168x3 H: 346	104.045.168.OS0.001	EN 10217-3 P355JH	1	
6	Head - Torispheric	Ø168x3 H:50	101.045.168.001.000	EN10028-2 P355GH	1	
7	Skirt With	Ø162x2,5 H:18	105.004.162.001.001	S235JR	1	

**GENERAL NOTES**

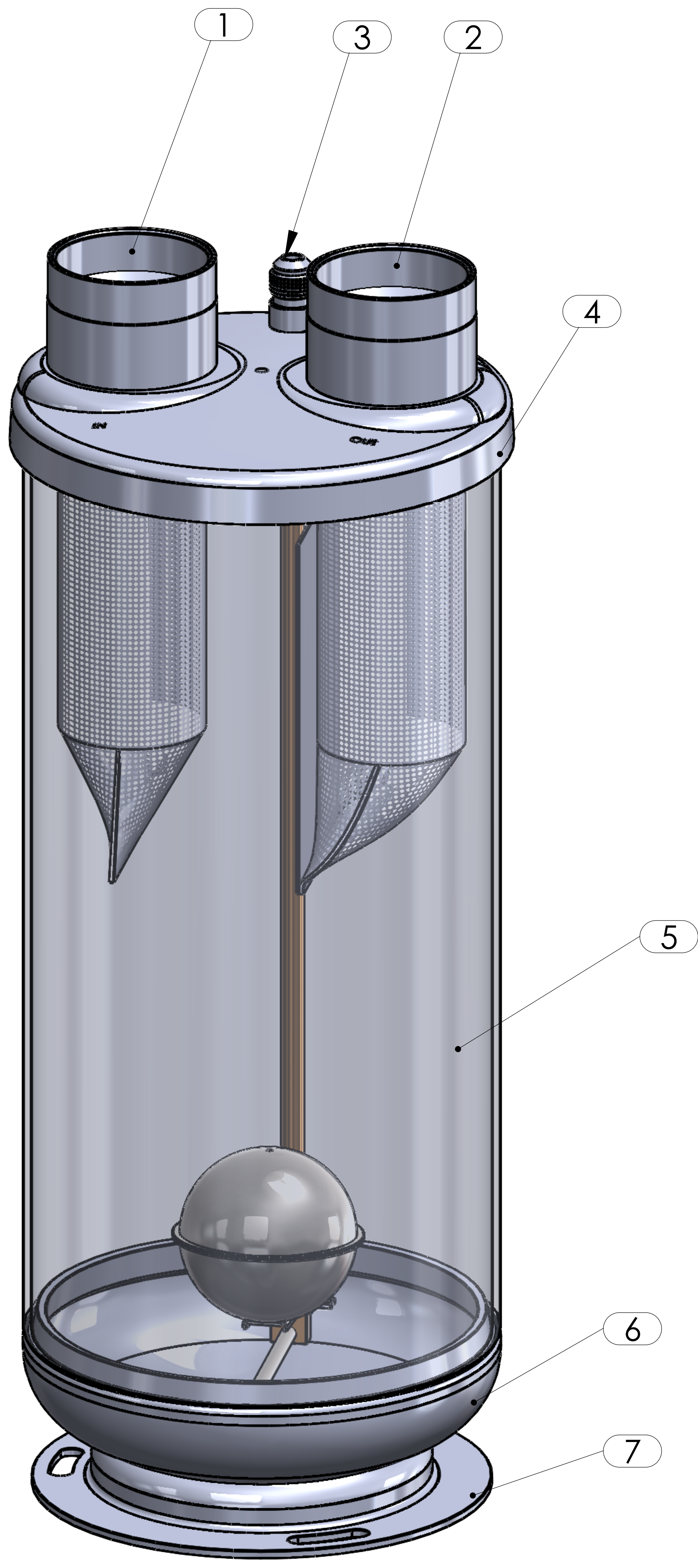
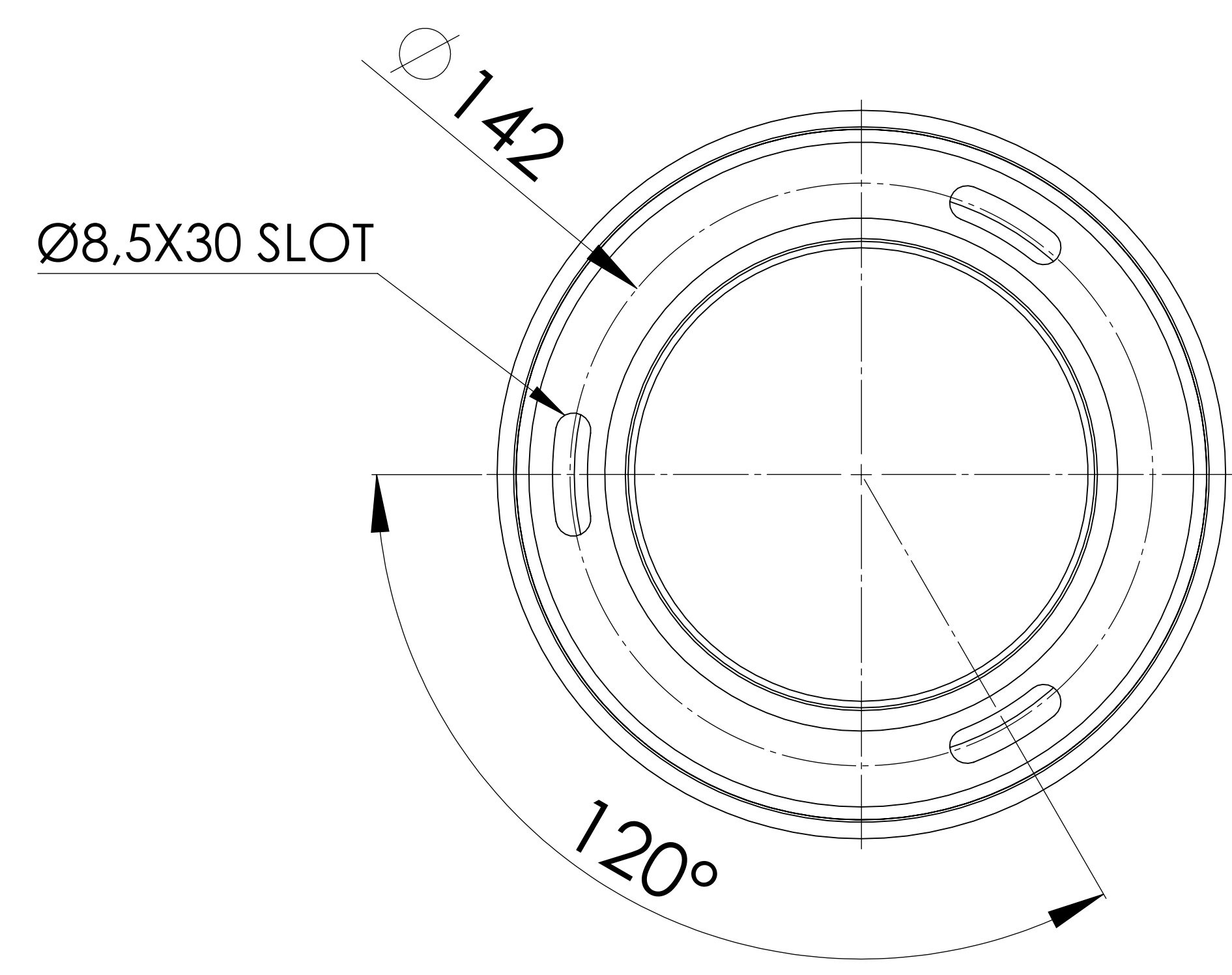
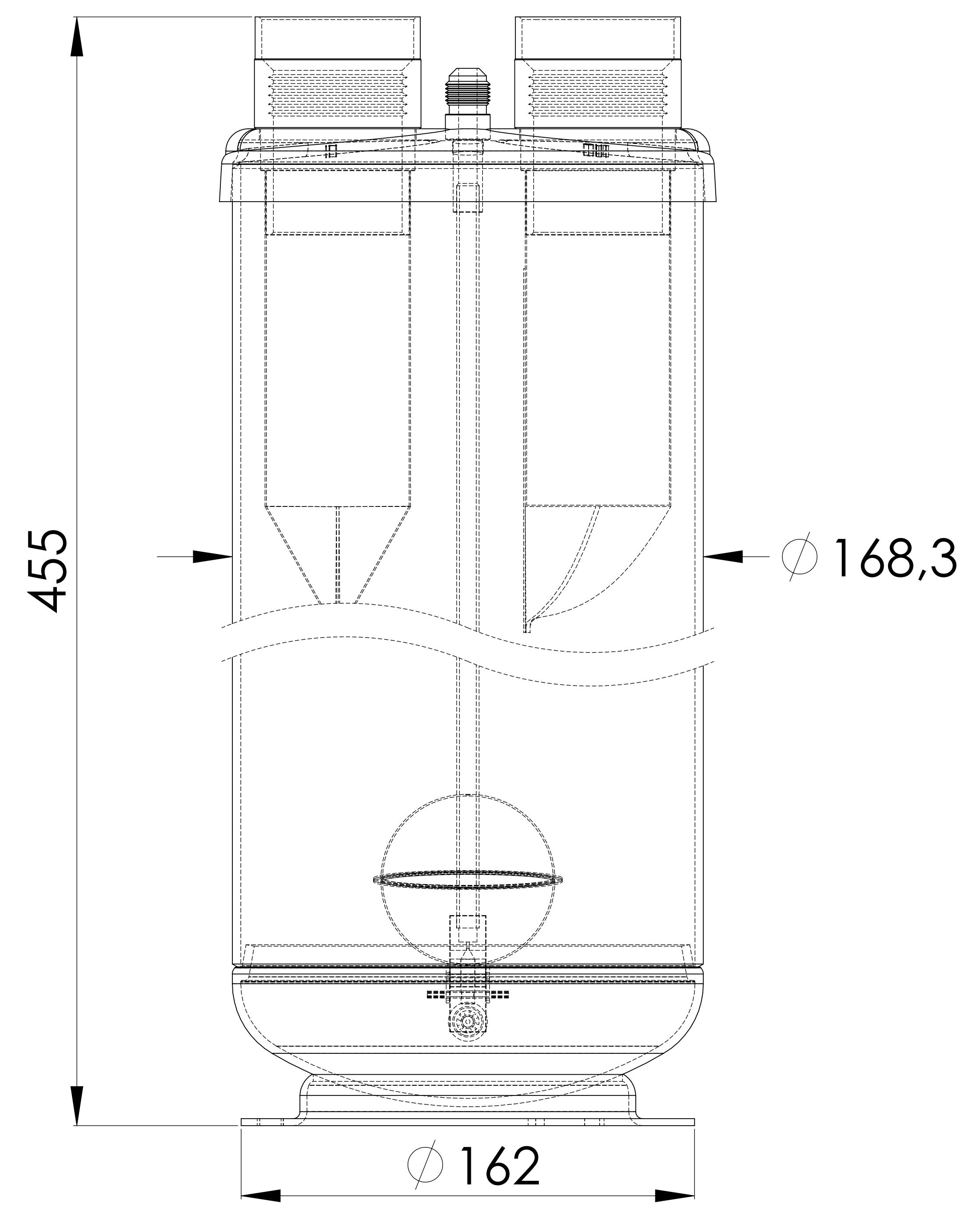
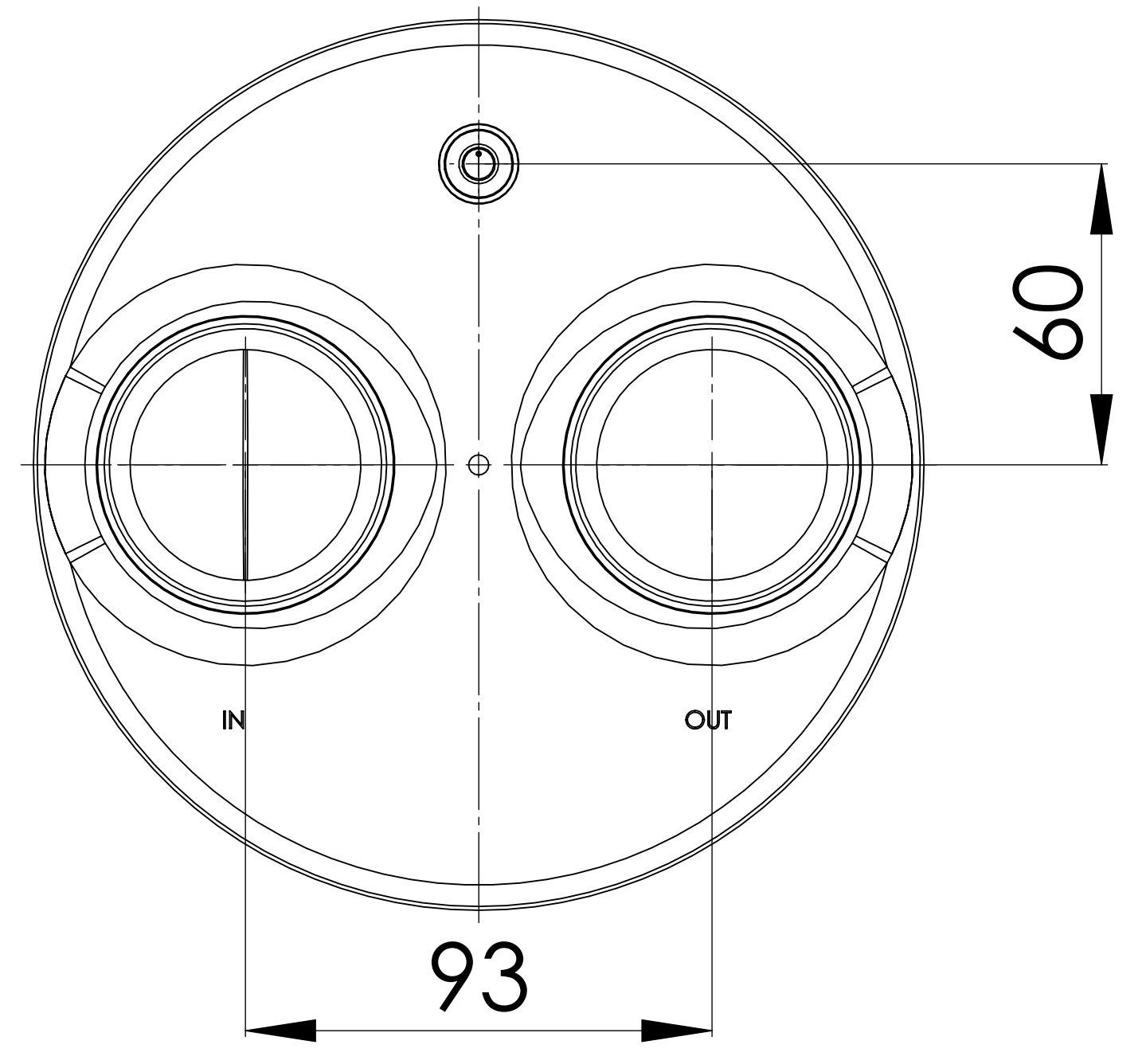
-Max. allowable operating pressure (PS) according to the temperature range:  
1) Allowable operating temperature : min. -20C° / max. +130C° PS1 = 30 Bar  
2) Allowable operating temperature : min. -40C° / max. -20C° PS2 = 22 Bar  
-Unless otherwise specified dimensions in MM  
-Unless otherwise specified do not scale  
-Unless otherwise specified tube must be clean&free form burrs inside&outside&uitable for soldering  
-Unless otherwise specified do not scale indicated thickness are min. after forming or machining  
-Unless otherwise specified dimension tolerances according to EN 113445-4

REVISIONS			
No	Details Of Change	Date	By
01			
02			
03			

RELATED DRAWINGS		
No	Description	Drawing No
01		
02		



We reserve all rights in this document and in the information contained therein. Reproduction use or disclosure to third parties without express authority is strictly forbidden.



No	Assembly Codes	Qty
1	M005.000272	1