

GÜVEN SOĞUTMA
ÜNİTELERİ SAN. VE TİC. A.Ş.

Add: Hastane Mah. Hadimköy İstanbul Cd. No:78/1
34555, Arnavutköy, İstanbul, TURKEY
Tel: +90 212 771 51 12 - 771 51 13
Fax: +90 212 771 51 10
www.gvn.com.tr



GVN STANDARD PRODUCT Customer

COALESCENT OIL SEPARATORS Product

OS.C.130b.28.1 Code

Customer Code

DESIGN DATA

Pre-charge / Capacity [Lt.]	0,9 / 4,5
Design Pressure [PS]	130 Bar
Pneumatic Test Pressure [PT]	143 Bar
Hydraulic Test Pressure	186 Bar
Design Temperature [TS]	Min.-20C / Max.+130C
Cooler Fluid Type	HFC-CFC-HCFC-R744
Fluid Group	2
Category	CAT II / D1
Desing Calculation	EN 14276-1/EN 13445-3
Welded Joint Efficiency	0.85
Material Group (Shell / Head)	1.2
Testing Group	3b
Corrasion Allowance	0,5 mm
Ndt	10%
Packaging Size & Weight	00*00*00 & 00 Kg.
Drawed By	M.ABDULAZİZ
Approved By	D.GÜL
Date	17.03.2023
Color	RAL 5009

MATERIAL DATA

No	Connection	Model	Code	Material	Qty
1	Inlet Connection	ODS 1 1/8" H:60	106.130.B07.000.009	ST44-E275	1
2	Outlet Connection	ODS 1 1/8" H:60	106.130.B07.000.001	ST44-E275	1
3	Oil Return Connection	ODS 1/4" H:45	106.130.B01.000.004	Ø20 ST44-E275	1
4	Pipe	Ø9x1	204.A09.010.000.165	EN10297-1 E235	1
5	Level Sensor Conn.	NPT 1/2"	106.130.F04.000.001	E275	1
6	Blind Plug	NPT 1/2"Plug	106.130.F04.001.001	E275	1
7	Elbow	42,4x2,6	114.042.001.001.001	S235JR	1
8	Holder Support	Ø46x30	105.010.FK0.065.003	S235	1
9	Filter Holder	Ø100x10	105.010.FK0.065.006	S235	1
10	Threaded Rod	M8 x 250mm	109.080.250.088.C01	8.8	1
11	Filter	FK.90.1	FK.90.1		1
12	Plastic Washer	M8	109.080.000.000.P03		1
13	Metal Washer	M8	109.080.000.000.P02		1
14	Lock Nut	M8	109.080.000.000.SF1		1

GENERAL NOTES

-Max. allowable operating pressure [PS] according to the temperature range;
1)Allowable operating temperature : min. -20C° / max. +130C° PS1 = 130 Bar
2)Allowable operating temperature : min. -40C° / max. -20C° PS2 = 97,5 Bar
-Unless otherwise specified dimensions in MM
-Unless otherwise specified do not scale
-Unless otherwise specified tube must be clean&free form burrs inside&outside&uitable for soldering
-Unless otherwise specified do not scale indicated thickness are min. after forming or machining
-Unless otherwise specified dimension tolerances according to EN 113445-4

REVISIONS

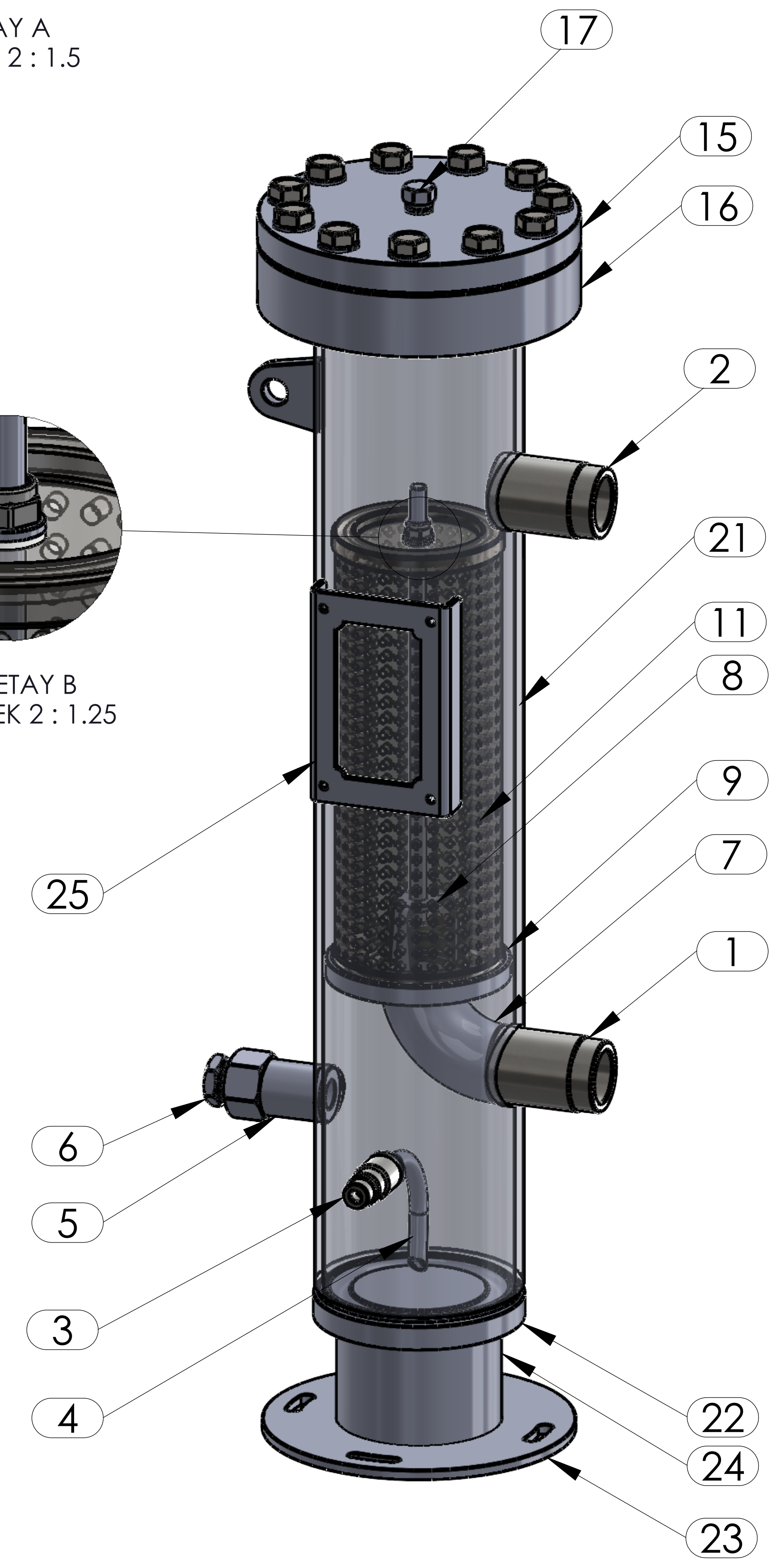
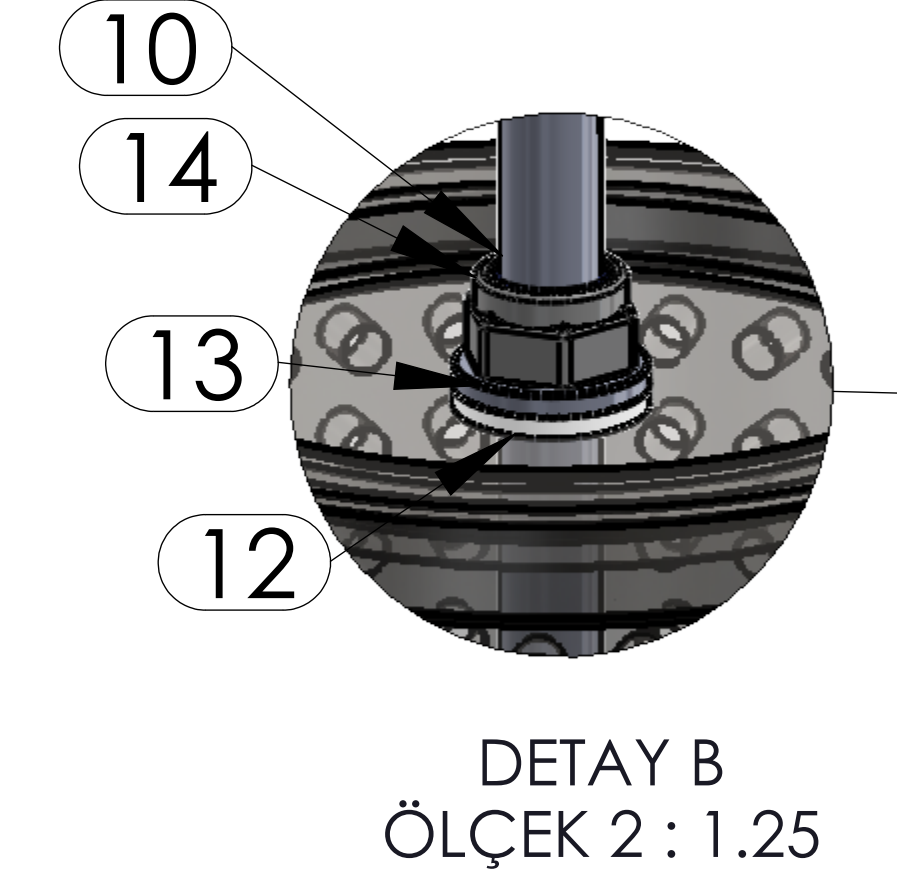
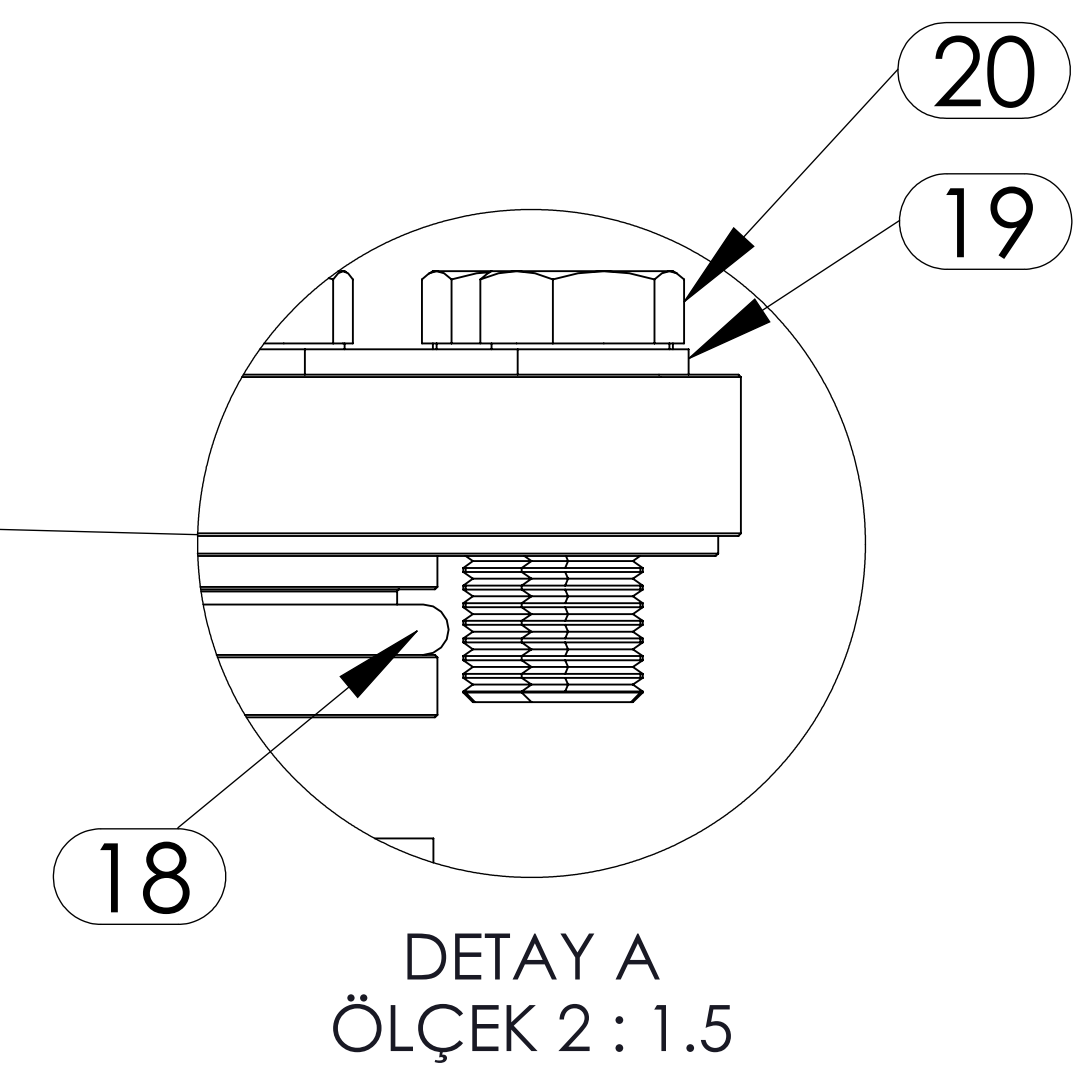
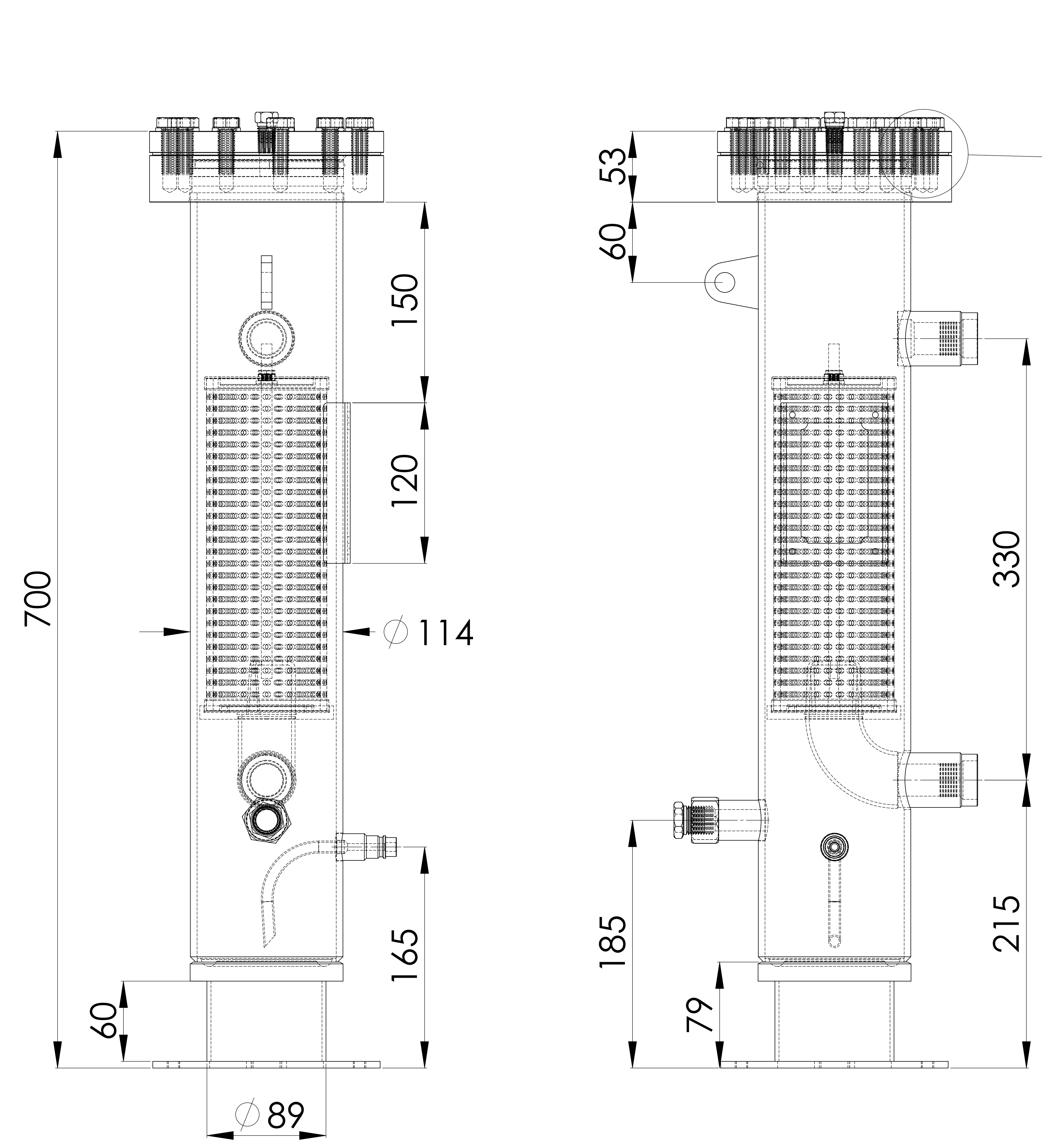
No	Details Of Change	Date	By
01			
02			
03			

RELATED DRAWINGS

No	Description	Drawing No
01		
02		

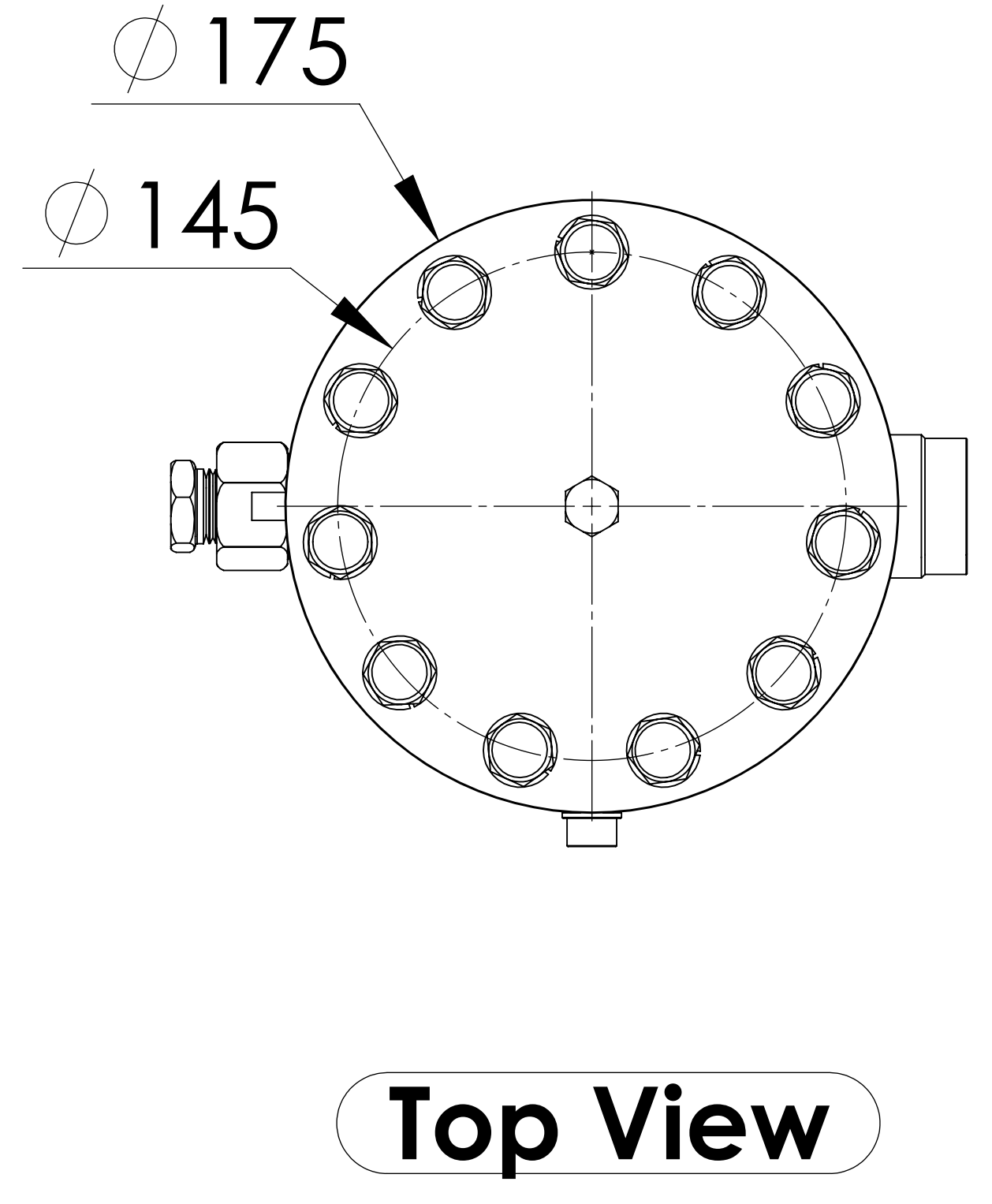
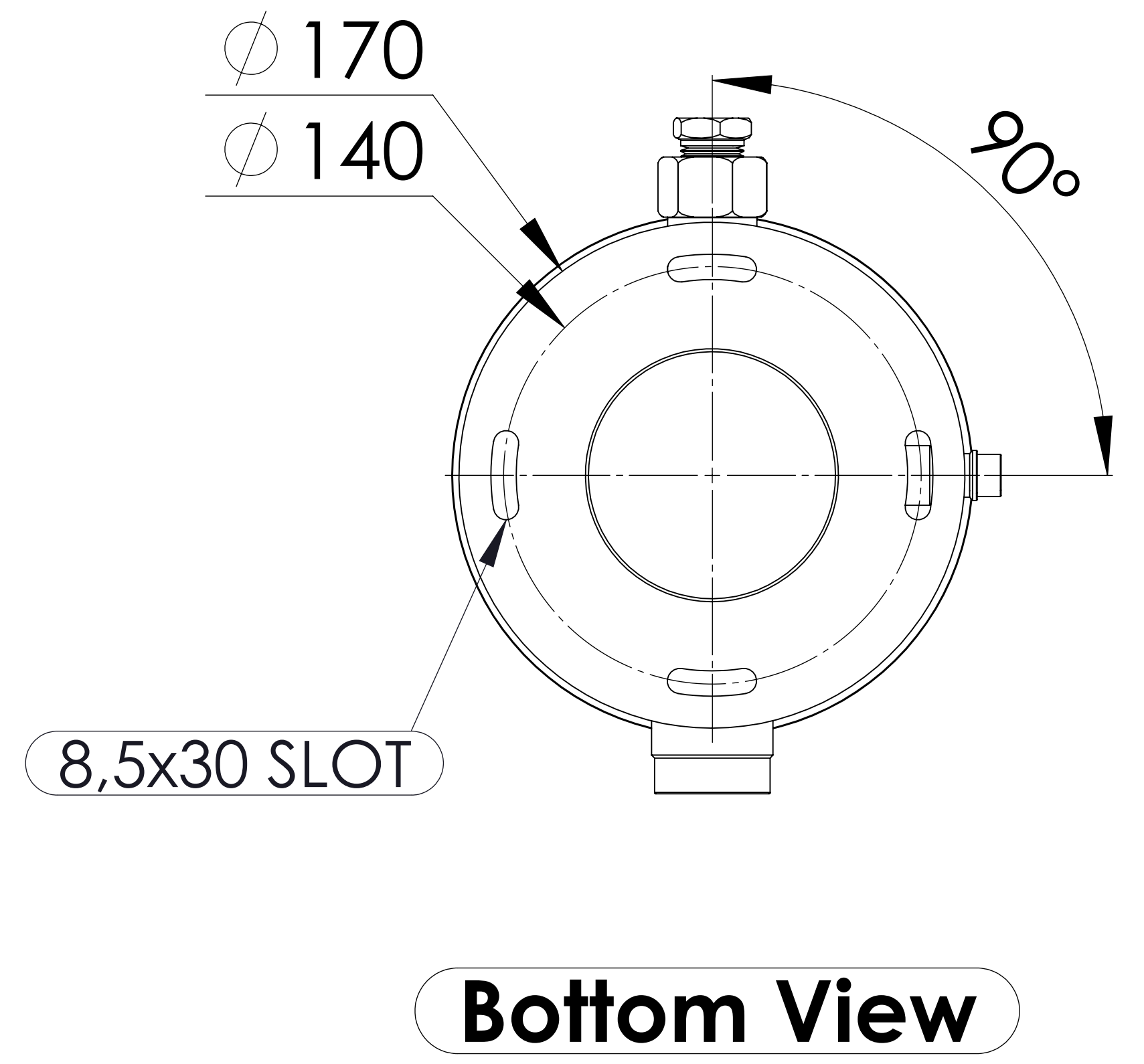


We reserve all rights in this document and in the information contained therein. Reproduction use or disclosure to third parties without express authority is strictly forbidden.



No	Connection	Model	Code	Material	Qty
15	Top Flange	Ø177,5x34	107.130.OSC.114.001	P355GH	1
16	Bottom Flange	Ø175x35	107.130.OSC.114.002	P355GH	1
17	Blind Plug	NPT 1/4"Plug	106.130.F02.001.001	S235	1
18	Oring	107X5	108.107.005.00H.NBR	HNBR	1
19	Washer	M12	109.120.000.000.R01		11
20	Bolt	M12x35	109.120.035.088.C01	8.8	11
21	Shell	Ø114x5 H:570,0	204.OSC.130.028.001		1
22	Blind Flange	Ø114	107.130.OSC.114.003	P355GH	1
23	Base Plate	Ø170x5	105.005.170.001.001	S235	1
24	Skirt	Ø76x3 H:16	104.130.H60.170.089	S235	1
25	Label Plate	120x80x2	105.006.002.120.080	DD-13	1

No	Assembly Codes	Qty
1	M005.000432	1



Bottom View

Top View