

GÜVEN SOĞUTMA
ÜNİTELERİ SAN. VE TİC. A.Ş.

Add.: Hastane Mah. Hadimköy İstanbul Cd. No:78/1
 34555, Arnavutköy, İstanbul, TURKEY
 Tel: +90 212 771 51 12 - 771 51 13
 Fax: +90 212 771 51 10
 www.gvn.com.tr



GVN STANDARD PRODUCT	Customer
COALESCENT OIL SEPARATORS	Product
OS.C.130b.35.1	Code
	Customer Code

DESIGN DATA	
Pre-charge / Capacity [Lt.]	1,7/12,0
Design Pressure [PS]	130 Bar
Pneumatic Test Pressure [PT]	143 Bar
Hydraulic Test Pressure	186 Bar
Design Temperature [TS]	Min.-20C / Max.+130C
Cooler Fluid Type	HFC-CFC-HCFC-R744
Fluid Group	2
Category	CAT III / H
Desing Calculation	EN 14276-1/EN 13445-3
Welded Joint Efficiency	0.85
Material Group (Shell / Head)	1.2
Testing Group	3b
Corrasion Allowance	0,5 mm
Ndt	10%
Packaging Size & Weight	00*00*00 & 00 Kg.
Drawed By	M.ABDULAZİZ
Approved By	D.GÜL
Date	03.04.2023
Color	RAL 5009

MATERIAL DATA					
No	Connection	Model	Code	Material	Qty
1	Inlet Connection	ODS 1 3/8" H:90	106.130.B08.000.005	E275	1
2	Outlet Connection	ODS 1 3/8" H:60	106.130.B08.000.001	E275	1
3	Oil Return Connection	ODS 1/4" H:45	106.130.B01.000.004	Ø20 ST44-E275	1
4	Pipe	Ø9x1	204.A09.010.000.180	EN10297-1 E235	1
5	Level Sensor Conn.	NPT 1/2"	106.130.F04.000.001	E275	1
6	Blind Plug	NPT 1/2"Plug	106.130.F04.001.001	E275	1
7	Elbow	42,4x2,6	114.042.001.001.001	S235JR	1
8	Holder Support	Ø68x5 H:32	105.010.FK0.098.003	S235	1
9	Filter Holder	Ø132x10	105.010.FK0.098.005	S235	1
10	Threaded Rod	M8 x 360mm	109.080.360.088.C01	8.8	1
11	Filter	FK.116.1	FK.116.1		1
12	Plastic Washer	Ø55x2	109.080.000.000.P01		1
13	Metal Washer	Ø55x3	105.010.FK0.116.001	S235JR	1
14	Plastic Washer	M8	109.080.000.000.P03		1

GENERAL NOTES

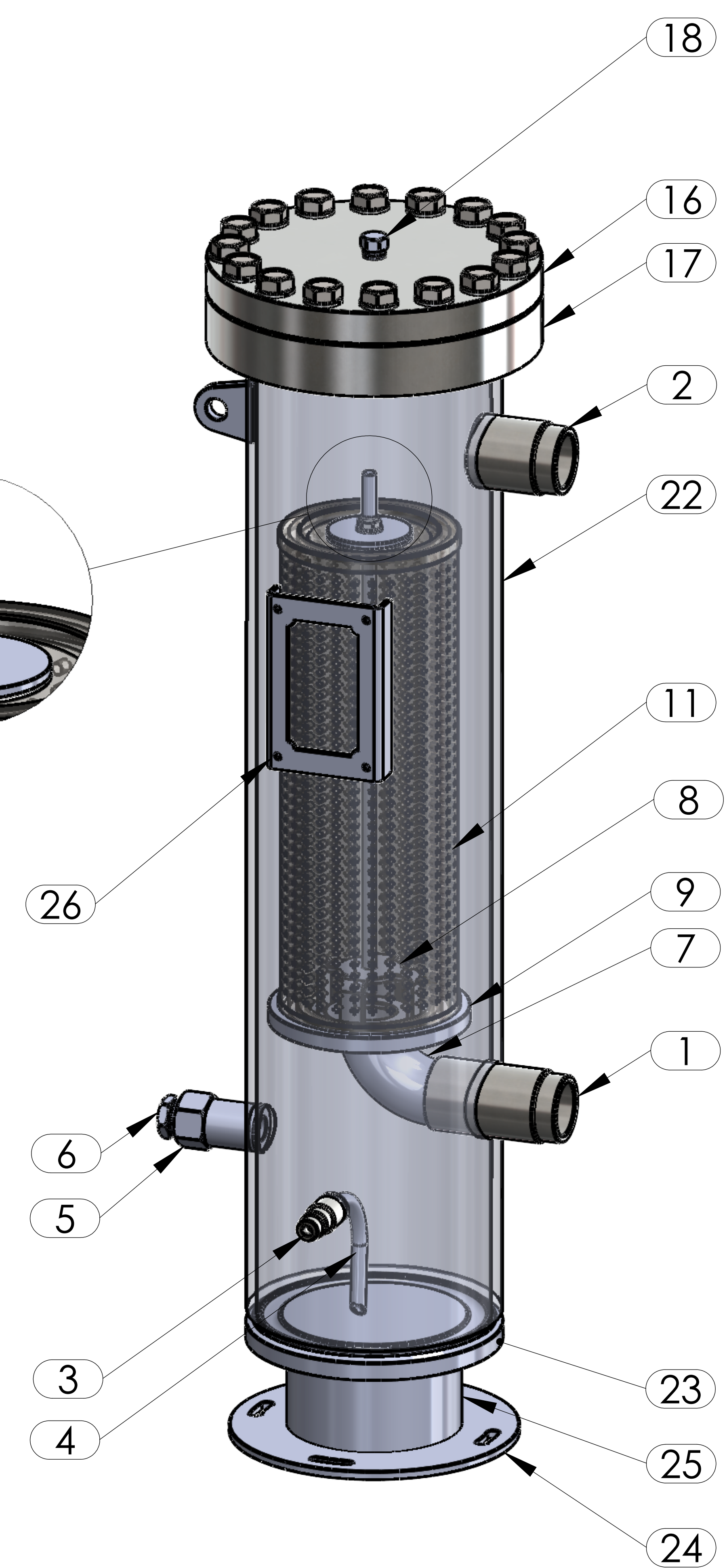
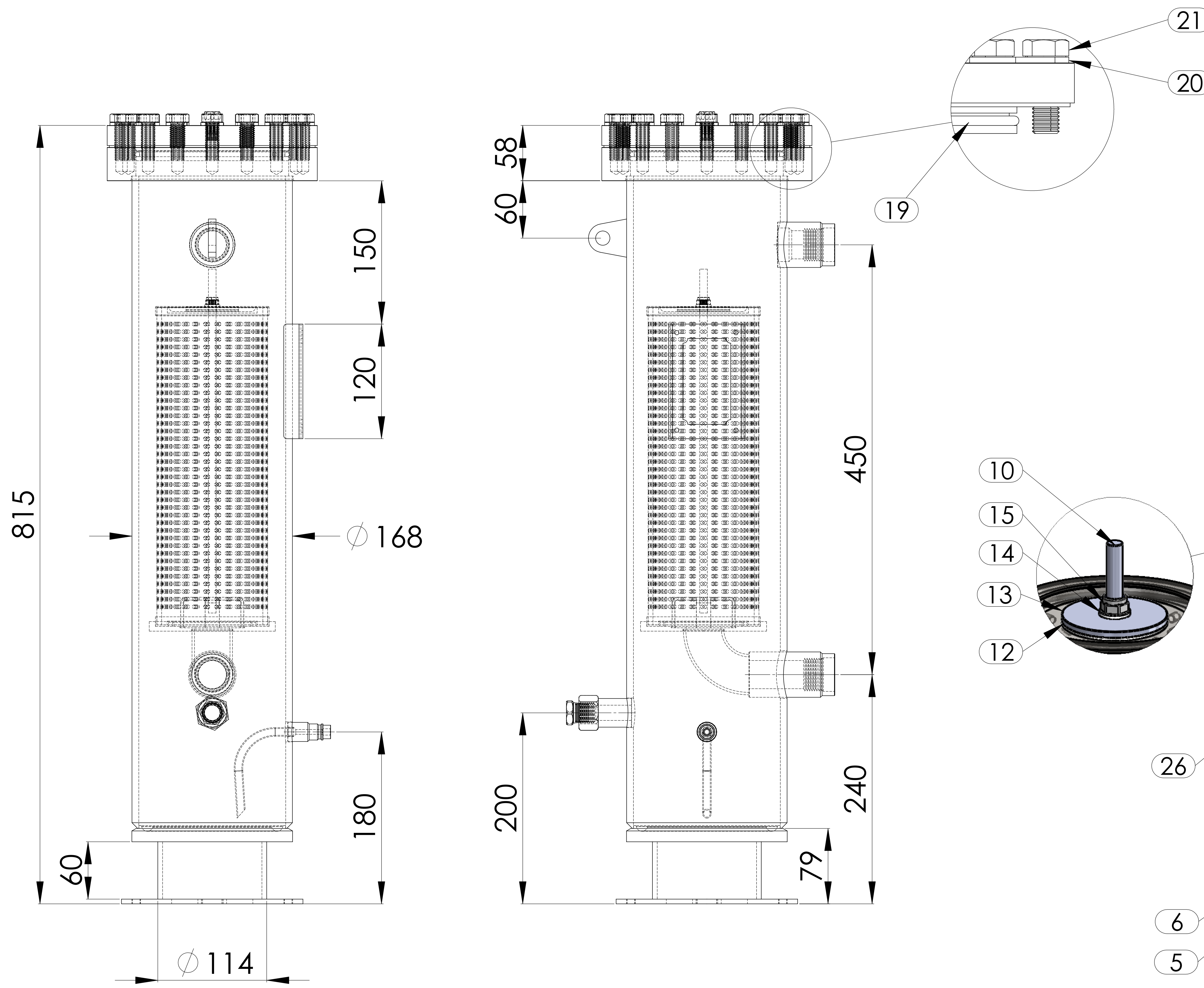
- Max. allowable operating pressure [PS] according to the temperature range;
- 1) Allowable operating temperature : min. -20C° / max. +130C° PS1 = 130 Bar
- 2) Allowable operating temperature : min. -40C° / max. -20C° PS2 = 97.5 Bar
- Unless otherwise specified dimensions in MM
- Unless otherwise specified do not scale
- Unless otherwise specified tube must be clean&free from burrs inside&outside& suitable for soldering
- Unless otherwise specified do not scale indicated thickness are min. after forming or machining
- Unless otherwise specified dimension tolerances according to EN 113445-4

REVISIONS			
No	Details Of Change	Date	By
01			
02			
03			

RELATED DRAWINGS		
No	Description	Drawing No
01		
02		



We reserve all rights in this document and in the information contained therein. Reproduction use or disclosure to third parties without express authority is strictly forbidden.



No	Assembly Codes	Qty
1	M005.000433	1

No	Connection	Model	Code	Material	Qty
15	Lock Nut	M8	109.080.000.000.SF1		1
16	Top Flange	Ø220x37	107.130.OSC.168.001	P355GH	1
17	Bottom Flange	Ø220x35	107.130.OSC.168.002	P355GH	1
18	Blind Plug	NPT 1/4"Plug	106.130.F02.001.001	S235	1
19	Oring	152x5	108.152.005.00H.NBR	HNBR	1
20	Washer	M14	109.140.000.000.R01		16
21	Bolt	M14x40	109.140.040.129.C01	12.9	16
22	Shell	Ø168x7,1 H:683,0	204.OSC.130.035.001		1
23	Blind Flange	Ø168	107.130.OSC.168.003	P355GH	1
24	Base Plate	Ø190x5	105.005.190.001.001	S235JR	1
25	Skirt	Ø76x3 H:30	104.130.H60.190.114	S235	1
26	Label Plate	120x80x2	105.006.002.120.080	DD-13	1