

GVN STANDARD PRODUCT	Customer
COALESCENT OIL SEPARATORS	Product
OS.C.45b.54.1	Code
	Customer Code

DESIGN DATA	
Pre-charge / Capacity [Lt.]	1,0 / 13,7
Design Pressure [PS]	45 Bar
Pneumatic Test Pressure [PT]	50 Bar
Hydraulic Test Pressure	65 Bar
Design Temperature [TS]	Min.-20C / Max.+130C
Cooler Fluid Type	HFC-CFC-HCFC
Fluid Group	2
Category	CAT II / D1
Desing Calculation	EN 14276-1/EN 13445-3
Welded Joint Efficiency	0.85
Material Group (Shell / Head)	1.2
Testing Group	3b
Corrasion Allowance	0,5 mm
Ndt	10%
Packaging Size & Weight	00*00*00 & 00 Kg.
Drawed By	M.ABDULAZİZ
Approved By	D.GÜL
Date	05.04.2023
Color	RAL 5009

MATERIAL DATA					
No	Connection	Model	Code	Material	Qty
1	Inlet Connection	ODS 2 1/8" H:50	106.060.B10.000.008	E275	1
2	Outlet Connection	ODS 2 1/8" H:50	106.060.B10.000.004	E275	1
3	Oil Return Connection	SAE 3/8" H:51,5	106.060.Y02.001.003	E275	1
4	Blind Plug	NPT 1/4" Plug	106.130.F02.001.001	S235	1
5	Elbow	60,3x2,9	114.060.001.001.001	S235JR	1
6	Holder Support	Ø68x5 H:32	105.010.FK0.098.003	S235	1
7	Filter Holder	Ø132x10	105.010.FK0.098.006	S235	1
8	Threaded Rod	M8 x 360mm	109.080.360.088.C01	8.8	1
9	Filter	FK.98.1	FK.98.1		1
10	Plastic Washer	Ø55x2	109.080.000.000.P01		1
11	Metal Washer	Ø55x3	105.010.FK0.098.004		1
12	Plastic Washer	M8	109.080.000.000.P03		1
13	Lock Nut	M8	109.080.000.000.SF1		1
14	Bottom Flange	Ø223x16	107.045.OSC.168.002	P355GH+N	1

GENERAL NOTES

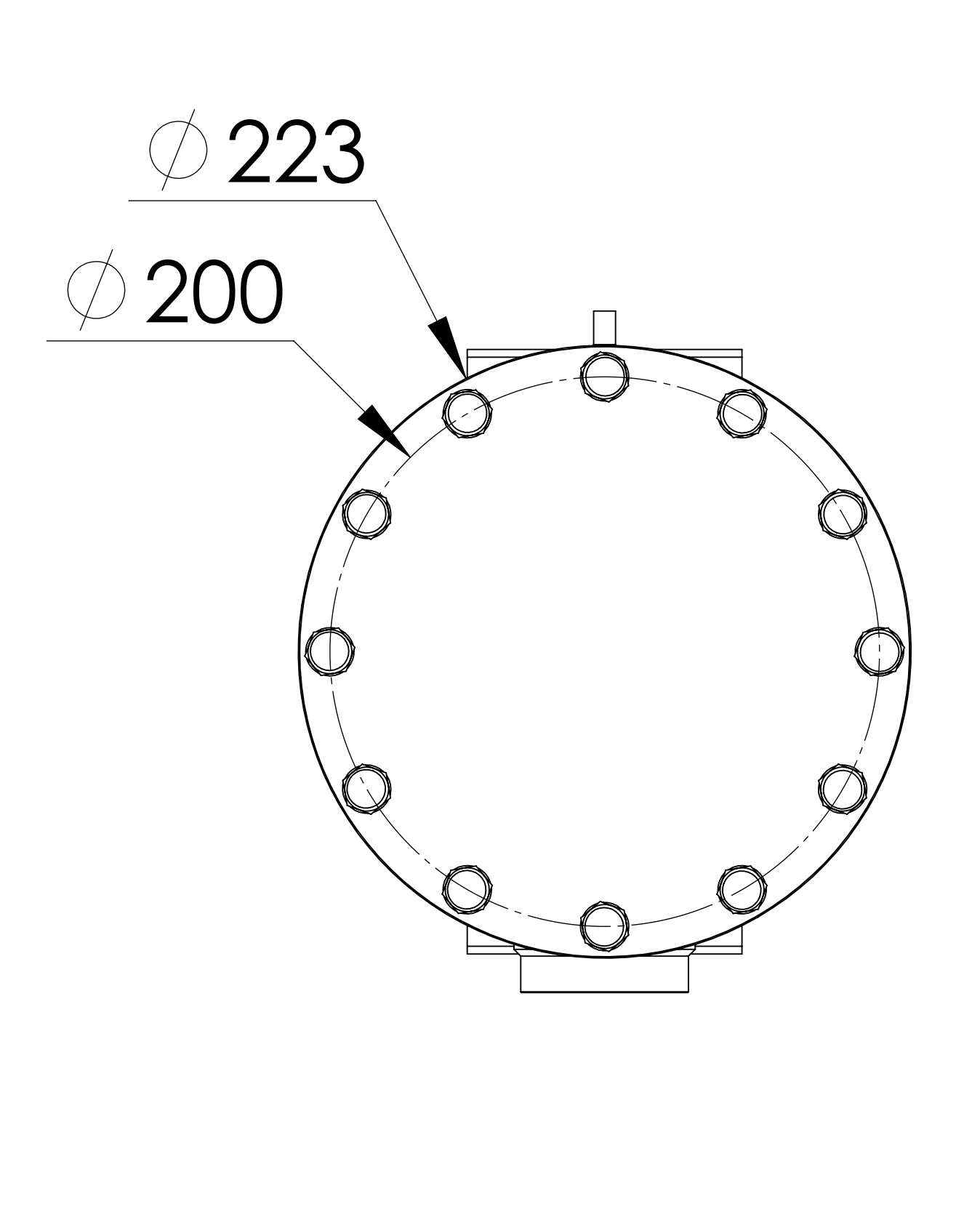
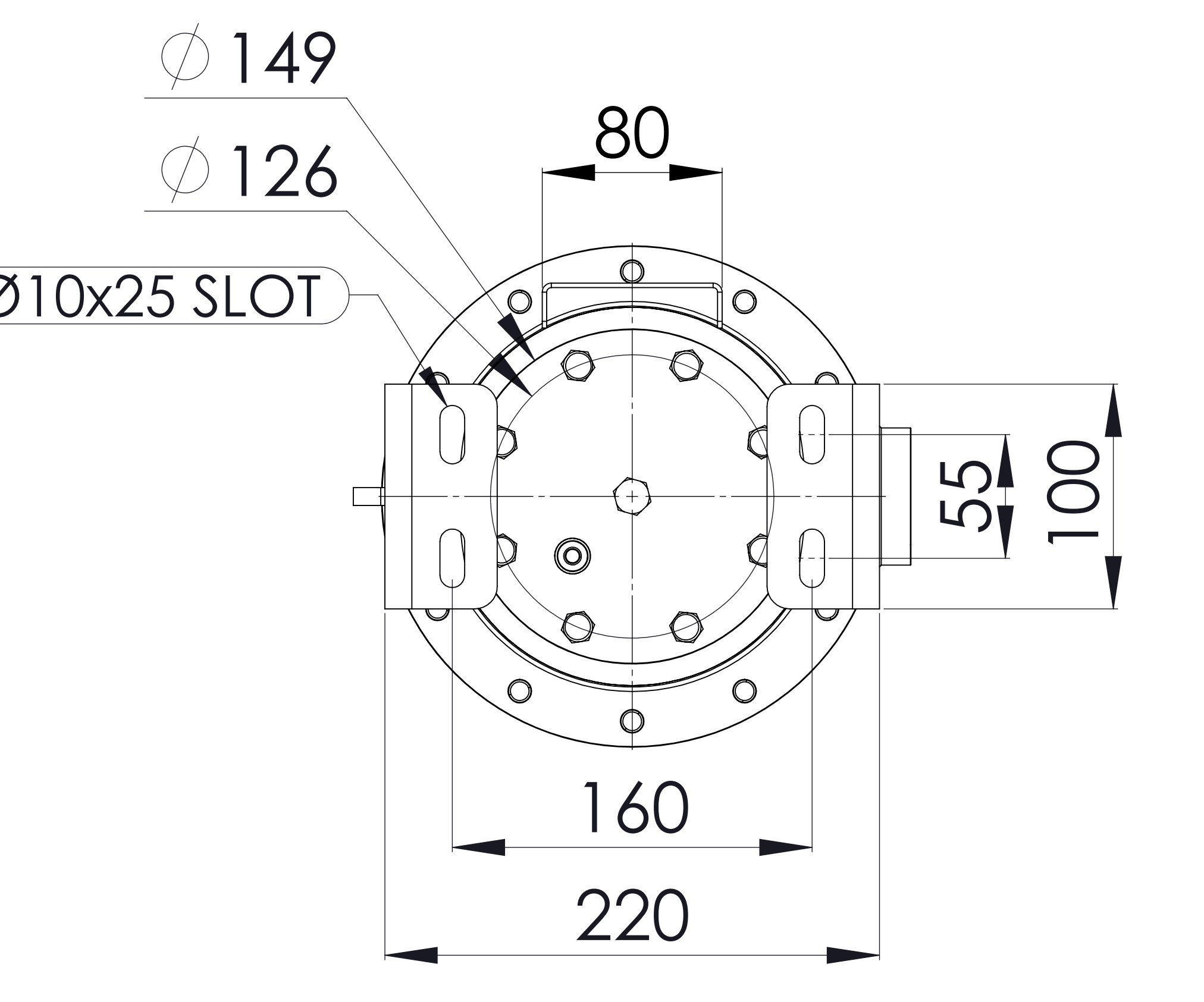
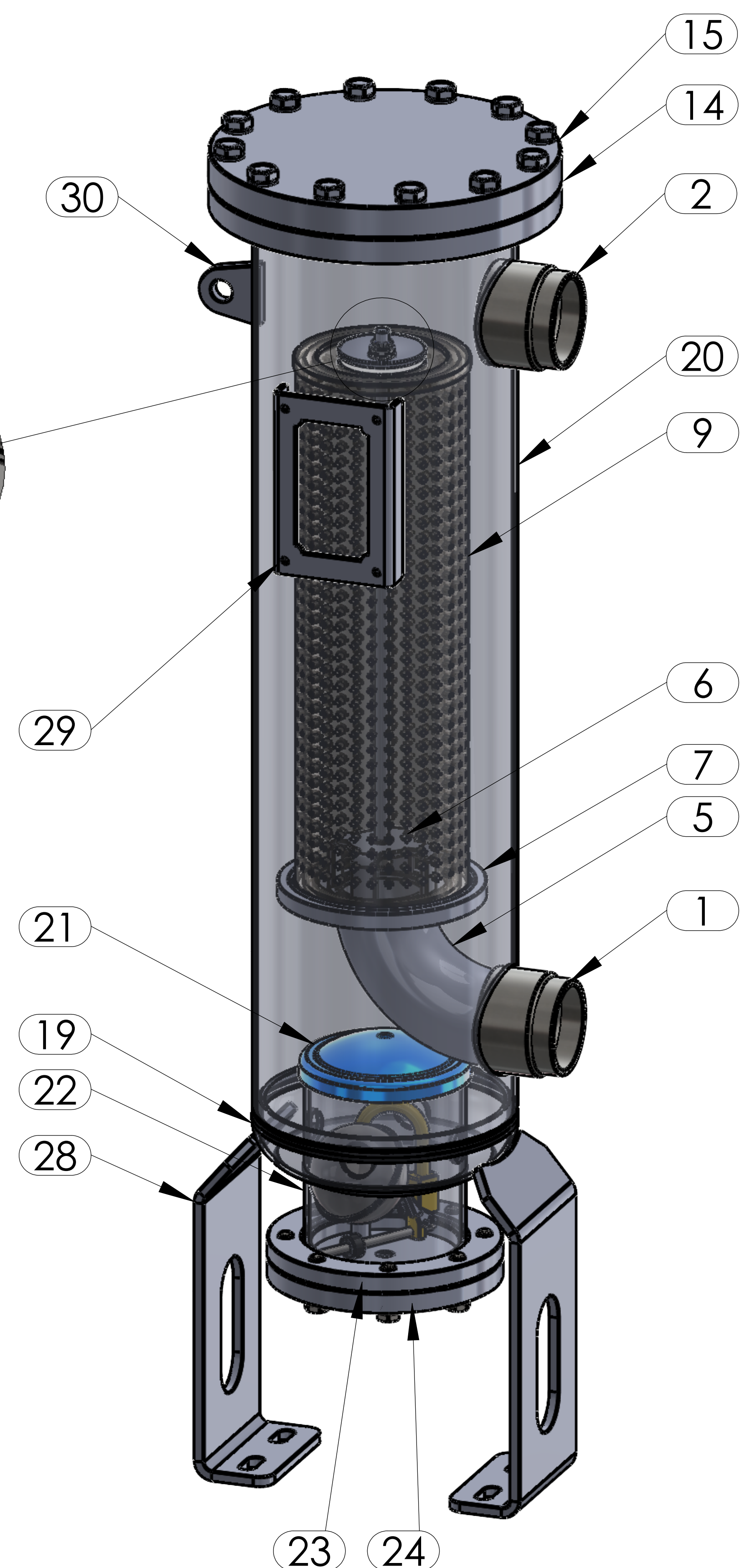
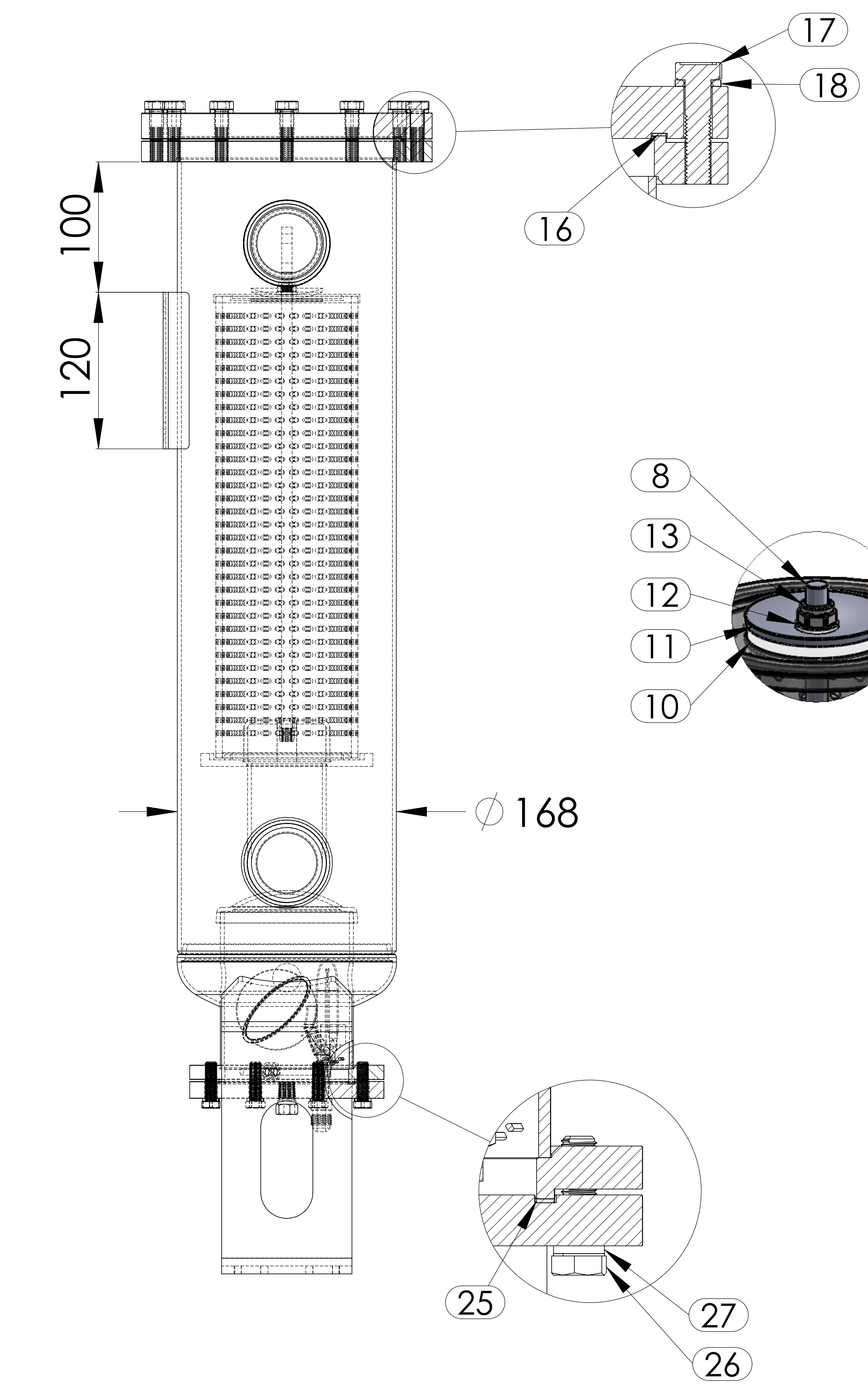
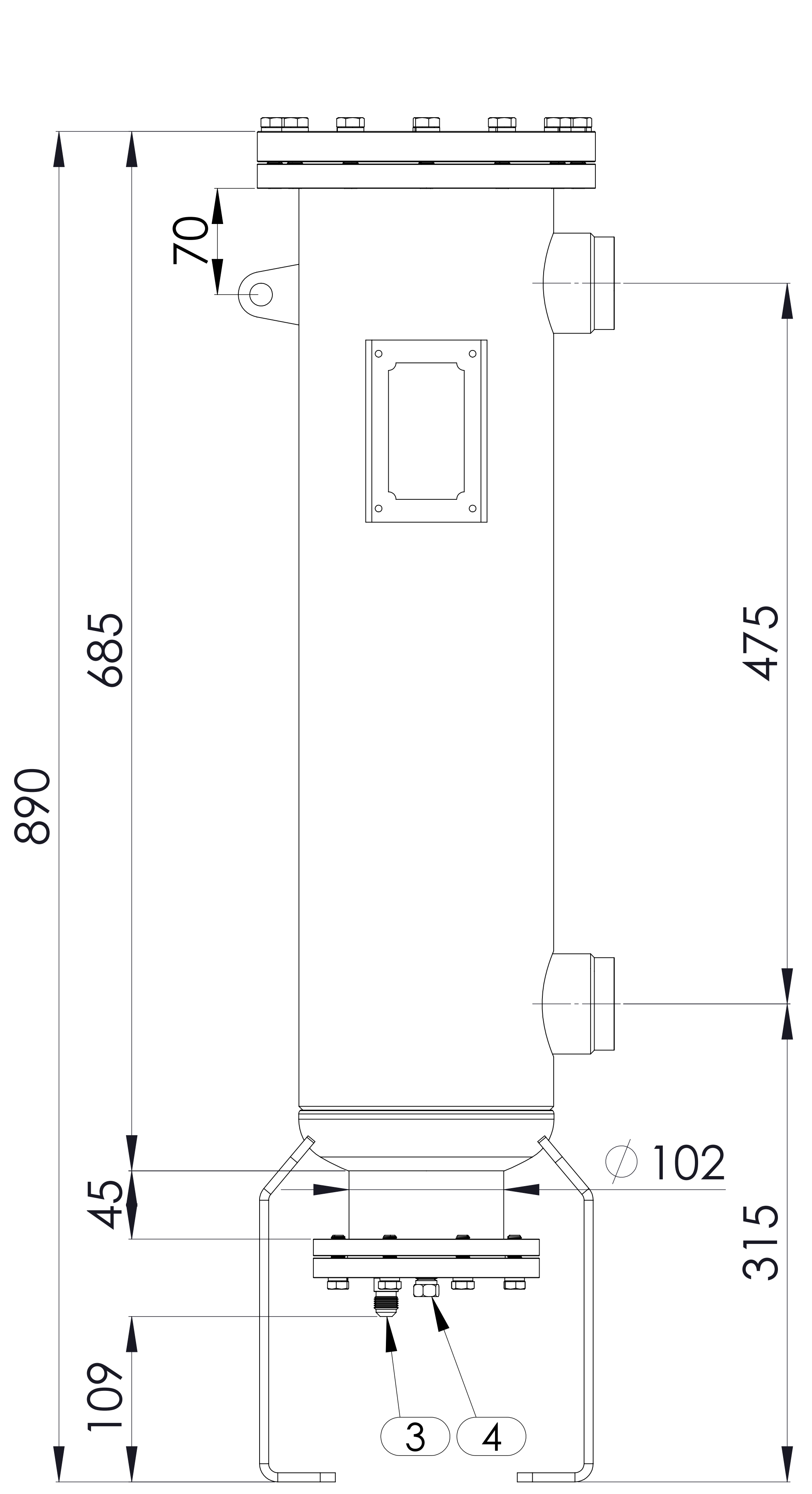
- Max. allowable operating pressure (PS) according to the temperature range:
- 1) Allowable operating temperature : min. -20C° / max. +130C° PS1 = 45 Bar
- 2) Allowable operating temperature : min. -20C° / max. -40C° PS2 = 33 Bar
- Unless otherwise specified do not scale
- Unless otherwise specified tube must be clean&free form burrs inside&outside&suitable for soldering
- Unless otherwise specified do not scale indicated thickness are min. after forming or machining
- Unless otherwise specified dimension tolerances according to EN 113445-4

REVISIONS			
No	Details Of Change	Date	By
01			
02			
03			

RELATED DRAWINGS		
No	Description	Drawing No
01		
02		



We reserve all rights in this document and in the information contained therein. Reproduction use or disclosure to third parties without express authority is strictly forbidden.



Bottom View

Top View

No	Assembly Codes	Qty
1	M005.000377	1
2	M010.000039	1

No	Connection	Model	Code	Material	Qty
15	Top Flange	Ø223x20	107.045.OSC.168.001	P355GH+N	1
16	Gasket	KLINGERIT	108.175.165.000.K01	GP-150	1
17	Bolt	M10x40	109.100.040.088.C01	8.8	12
18	Washer	M10	109.100.000.000.R01		12
19	Head - Torispheric	Ø168x3 H:50	201.045.168.001.012	EN10028-2 P355GH	1
20	Shell	Ø168x3 H:610,50	204.OSC.45B.054.001	P355NH-EN10217-3	1
21	Cover	Ø102x3	201.045.102.001.007	P355GH-EN10028-2	1
22	Shell	Ø102x3 H:120,00	204.KVN.060.102.001	P355NH-EN10217-3	1
23	Bottom Flange	Ø149x13,5	107.045.OSC.102.002	P355GH+N	1
24	Top Flange	Ø149x13	107.045.OSC.102.001	P355GH+N	1
25	Gasket	KLINGERIT	108.104.095.000.K01	GP-150	1
26	Bolt	M8x30	109.080.030.088.C01	8.8	8
27	Washer	M8	109.080.000.000.R01		8
28	Leg	230X100X50X6	105.003.SHF.001.002	S235JR	2
29	Label Plate	120x80x2	105.006.002.120.080	DD-13	1
30	Lifting	40x40x8	105.011.MP0.040.040	S235-JR	1