

GÜVEN SOĞUTMA
ÜNİTELERİ SAN. VE TİC. A.Ş.

Addr.: Hastane Mah. Hadimköy İstanbul Cd. No:78/1
34555, Arnavutköy, İstanbul, TÜRKİYE
Tel: +90 212 771 51 12 - 771 51 13
Fax: +90 212 771 51 10
www.gvn.com.tr



GVN STANDARD PRODUCT Customer

COALESCENT OIL SEPARATORS Product

OS.C.45b.80.1 Code

Customer Code

DESIGN DATA

Pre-charge / Capacity [Lt.]	2,5 / 64,2
Design Pressure [PS]	45 Bar
Pneumatic Test Pressure [PT]	50 Bar
Hydraulic Test Pressure	65 Bar
Design Temperature [TS]	Min.-20C / Max.+130C
Cooler Fluid Type	HFC-CFC-HCFC
Fluid Group	2
Category	CAT III / H
Desing Calculation	EN 14276-1/EN 13445-3
Welded Joint Efficiency	0.85
Material Group (Shell / Head)	1.2
Testing Group	3b
Corrasion Allowance	0,5 mm
Ndt	10%
Packaging Size & Weight	00*00*00 & 00 Kg.
Drawed By	M.ABDULAZİZ
Approved By	D.GÜL
Date	12.12.2022
Color	RAL 5009

MATERIAL DATA

No	Connection	Model	Code	Material	Qty
1	Inlet Connection	ODS 3 1/8" H:98	106.060.B14.000.010	E275	1
2	Outlet Connection	ODS 3 1/8" H:70	106.060.B14.000.007	E275	1
3	Oil Return Connection	SAE 3/8" H:51,5	106.060.Y02.001.003	E275	1
4	Blind Plug	NPT 1/4"Plug	106.130.F02.001.001	S235	1
5	Elbow	Ø88,9x3,2	114.089.001.001.001		1
6	Holder Support	Ø188x51	105.010.FK0.230.002	S235	1
7	Filter Holder	Ø236x5	105.010.FK0.230.001	S235	1
8	Threaded Rod	M12	109.120.390.088.C01		1
9	Filter	FK.230.1	FK.230.1	-	1
10	Plastic Washer	Ø55x2	109.120.000.000.P03		1
11	Metal Washer	Ø55x3	105.010.FK0.230.003	S235JR	1
12	Plastic Washer	M12	109.120.000.000.P02		1
13	Lock Nut	M12	109.120.000.000.SF1		1
14	Bottom Flange	Ø324x28	107.045.OSC.324.002	P355GH	1

GENERAL NOTES

-Max. allowable operating pressure (PS) according to the temperature range:
1) Allowable operating temperature : min. -20C° / max. +130C° PS1 = 45 Bar
2) Allowable operating temperature : min. -20C° / max. -40C° PS2 = 33 Bar
-Unless otherwise specified dimensions in MM
-Unless otherwise specified do not scale
-Unless otherwise specified tube must be clean&free from burrs inside&outside&suitable for soldering
-Unless otherwise specified do not scale indicated thickness are min. after forming or machining
-Unless otherwise specified dimension tolerances according to EN 113445-4

REVISIONS

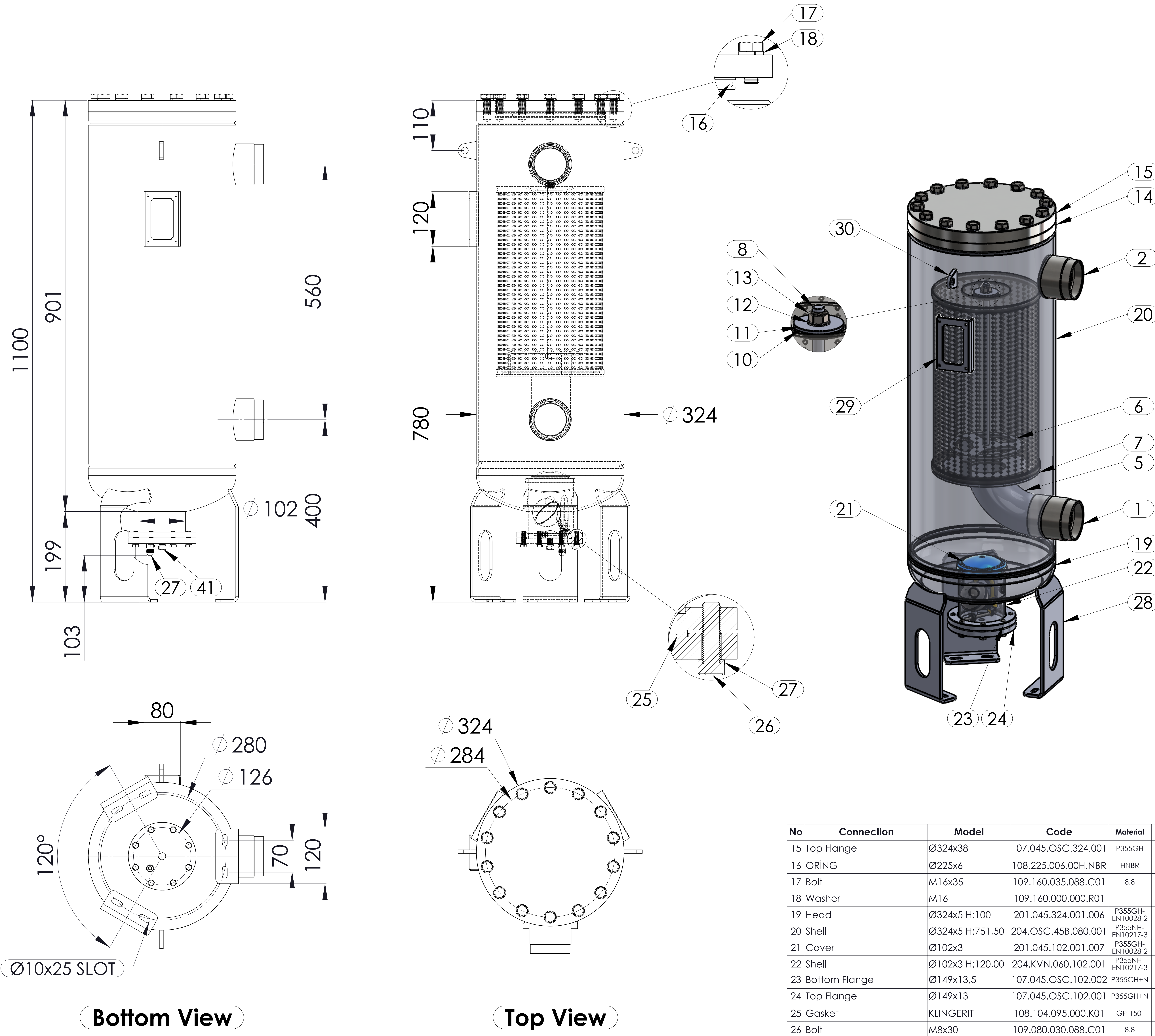
No	Details Of Change	Date	By
01			
02			
03			

RELATED DRAWINGS

No	Description	Drawing No
01		
02		



We reserve all rights in this document and in the information contained therein. Reproduction use or disclosure to third parties without express authority is strictly forbidden.



No	Connection	Model	Code	Material	Qty
15	Top Flange	Ø324x38	107.045.OSC.324.001	P355GH	1
16	ORING	Ø225x6	108.225.006.00H.NBR	HNBR	1
17	Bolt	M16x35	109.160.035.088.C01	8.8	14
18	Washer	M16	109.160.000.000.R01		14
19	Head	Ø324x5 H:100	201.045.324.001.006	P355GH-EN10028-2	1
20	Shell	Ø324x5 H:751,50	204.OSC.45B.080.001	P355NH-EN10217-3	1
21	Cover	Ø102x3	201.045.102.001.007	P355GH-EN10028-2	1
22	Shell	Ø102x3 H:120,00	204.KVN.060.102.001	P355NH-EN10217-3	1
23	Bottom Flange	Ø149x13,5	107.045.OSC.102.002	P355GH+N	1
24	Top Flange	Ø149x13	107.045.OSC.102.001	P355GH+N	1
25	Gasket	KLINGERIT	108.104.095.000.K01	GP-150	1
26	Bolt	M8x30	109.080.030.088.C01	8.8	8
27	Washer	M8	109.080.000.000.R01		8
28	Leg	250x120x50x6	105.003.SHF.001.003	S235JR	3
29	Label Plate	120x80x2	105.006.002.120.080	DD-13	1
30	Lifting	40x40x8	105.011.MP0.040.040	S235-JR	2

No	Assembly Codes	Qty
1	M005.000383	1
2	M010.000039	1