

GVN STANDART PRODUCT

Customer

COALESCENT OIL SEPARATORS

Product

OS.C.60b.54.1

Code

Customer Code

DESIGN DATA

Pre-charge / Capacity [Lt.]	0,6 / 12,5
Design Pressure [PS]	60 Bar
Pneumatic Test Pressure [PT]	66 Bar
Hydraulic Test Pressure	86 Bar
Design Temperature [TS]	Min.-20C / Max.+130C
Cooler Fluid Type	HFC-CFC-HCFC-R744
Fluid Group	2
Category	CAT II / D1
Desing Calculation	EN 14276-1/EN 13445-3
Welded Joint Efficiency	0.85
Material Group (Shell / Head)	1.2
Testing Group	3b
Corrasion Allowance	0,5 mm
Ndt	10%
Packaging Size & Weight	00*00*00 & 00 Kg.
Drawed By	M.ABDULAZIZ
Approved By	D.GÜL
Date	07.04.2023
Color	RAL 5009

MATERIAL DATA

No	Connection	Model	Code	Material	Qty
1	Inlet Connection	ODS 2 1/8" H:60	106.060.B10.000.009	E275	1
2	Outlet Connection	ODS 2 1/8" H:60	106.060.B10.000.010	E275	1
3	Oil Return Connection	SAE 3/8" H:51,5	106.060.Y02.001.003	E275	1
4	Blind Plug	NPT 1/4" Plug	106.130.F02.001.001	S235	2
5	Elbow	60,3x2,9	114.060.001.001.001	S235JR	1
6	Holder Support	Ø68x5 H:32	105.010.FK0.098.003	S235	1
7	Filter Holder	Ø132x10	105.010.FK0.098.006	S235	1
8	Threaded Rod	M8 x 360mm	109.080.360.088.C01	8.8	1
9	Filter	FK.98.1	FK.98.1		1
10	Plastic Washer	Ø55x2	109.080.000.000.P01		1
11	Metal Washer	Ø55x3	105.010.FK0.098.004		1
12	Plastic Washer	M8	109.080.000.000.P03		1
13	Lock Nut	M8	109.080.000.000.SF1		1
14	Flange	Ø218x24	107.060.OSC.168.002	P355GH	1

GENERAL NOTES

- Max. allowable operating pressure (PS) according to the temperature range:
 1) Allowable operating temperature : min. -20C° / max. +130C° PS1 = 60 Bar
 2) Allowable operating temperature : min. -40C° / max. -20C° PS2 = 45 Bar
- Unless otherwise specified dimensions in MM
- Unless otherwise specified do not scale
- Unless otherwise specified tube must be clean&free form burrs inside&outside&suitable for soldering
- Unless otherwise specified do not scale indicated thickness are min. after forming or machining
- Unless otherwise specified dimension tolerances according to EN 113445-4

REVISIONS

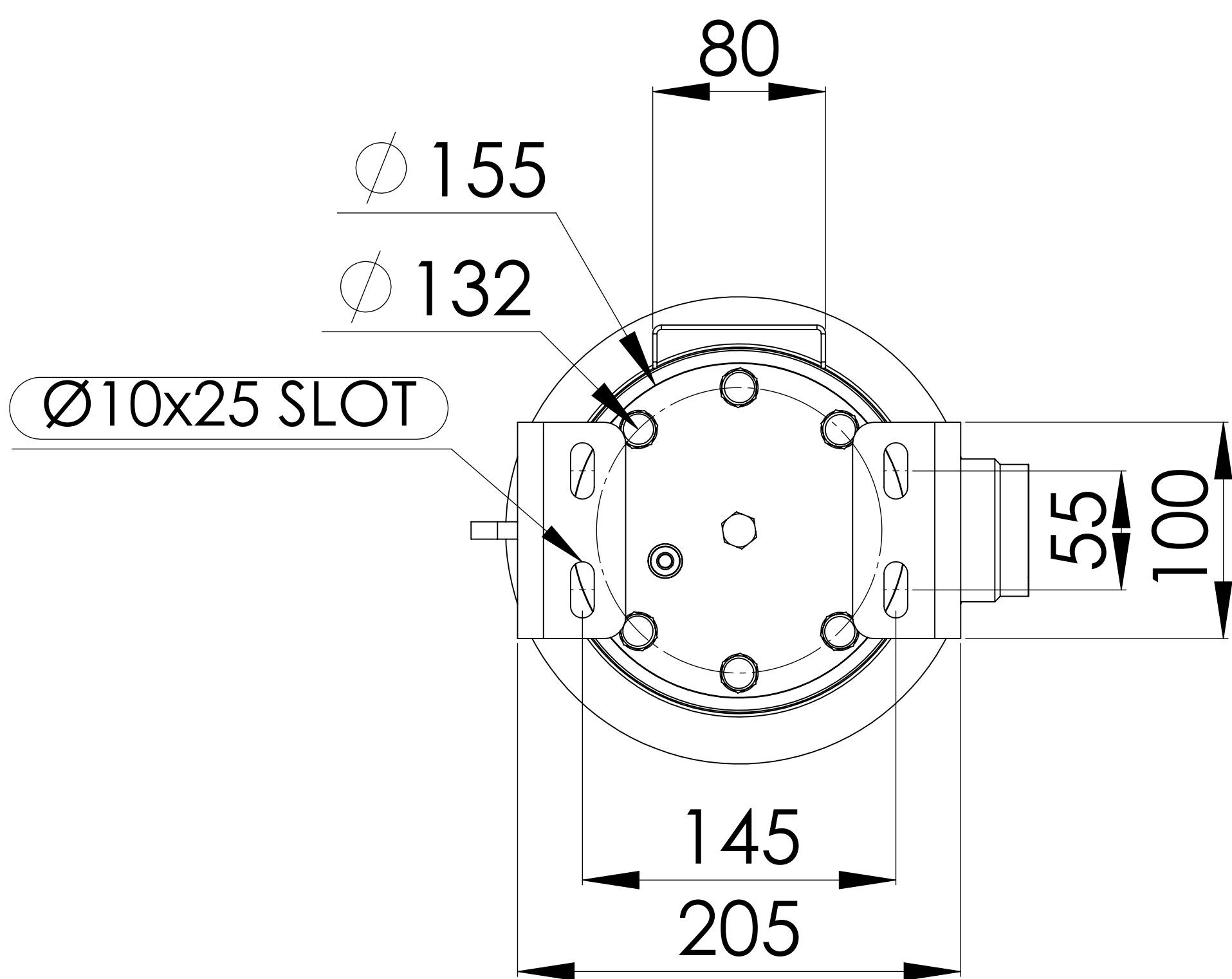
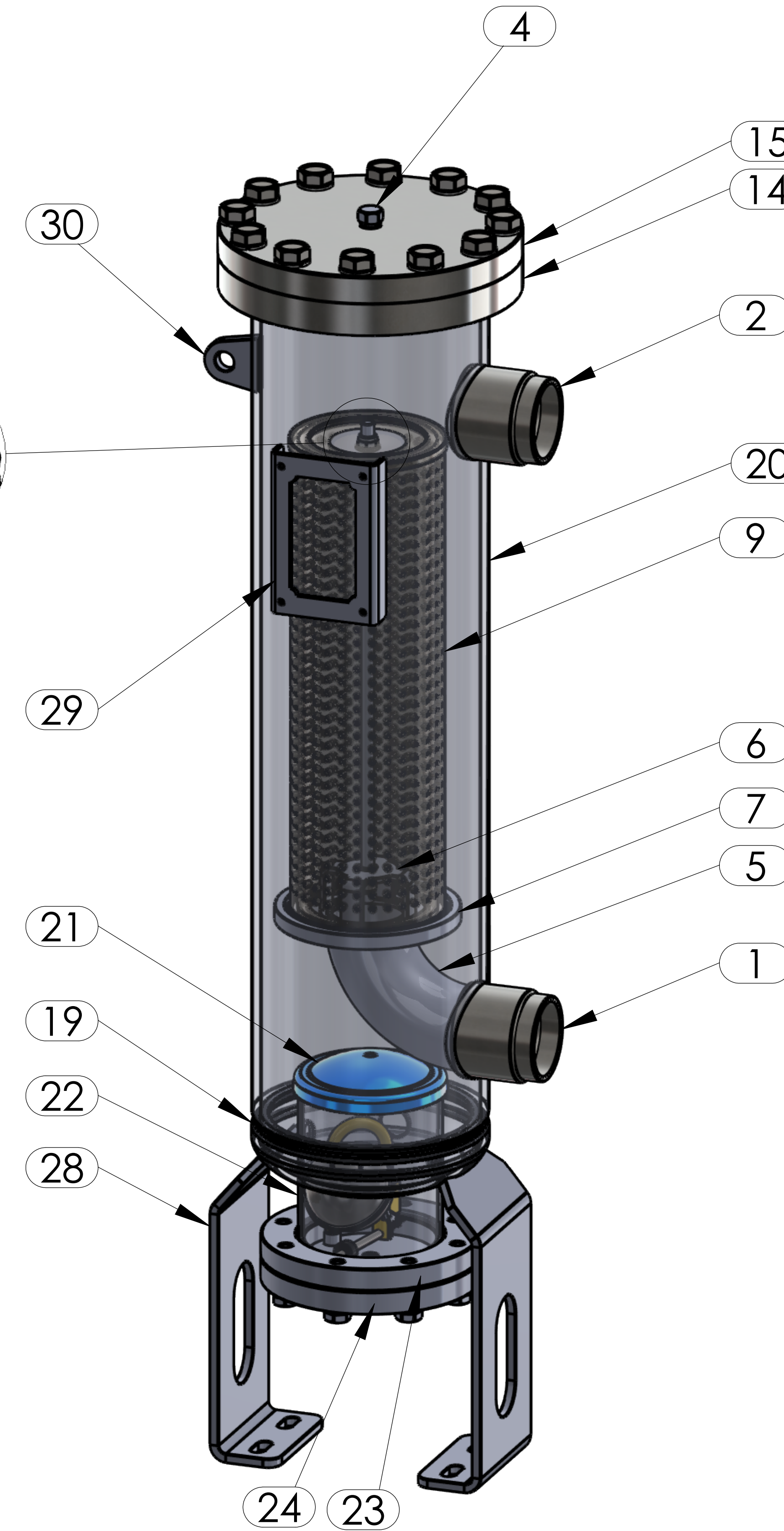
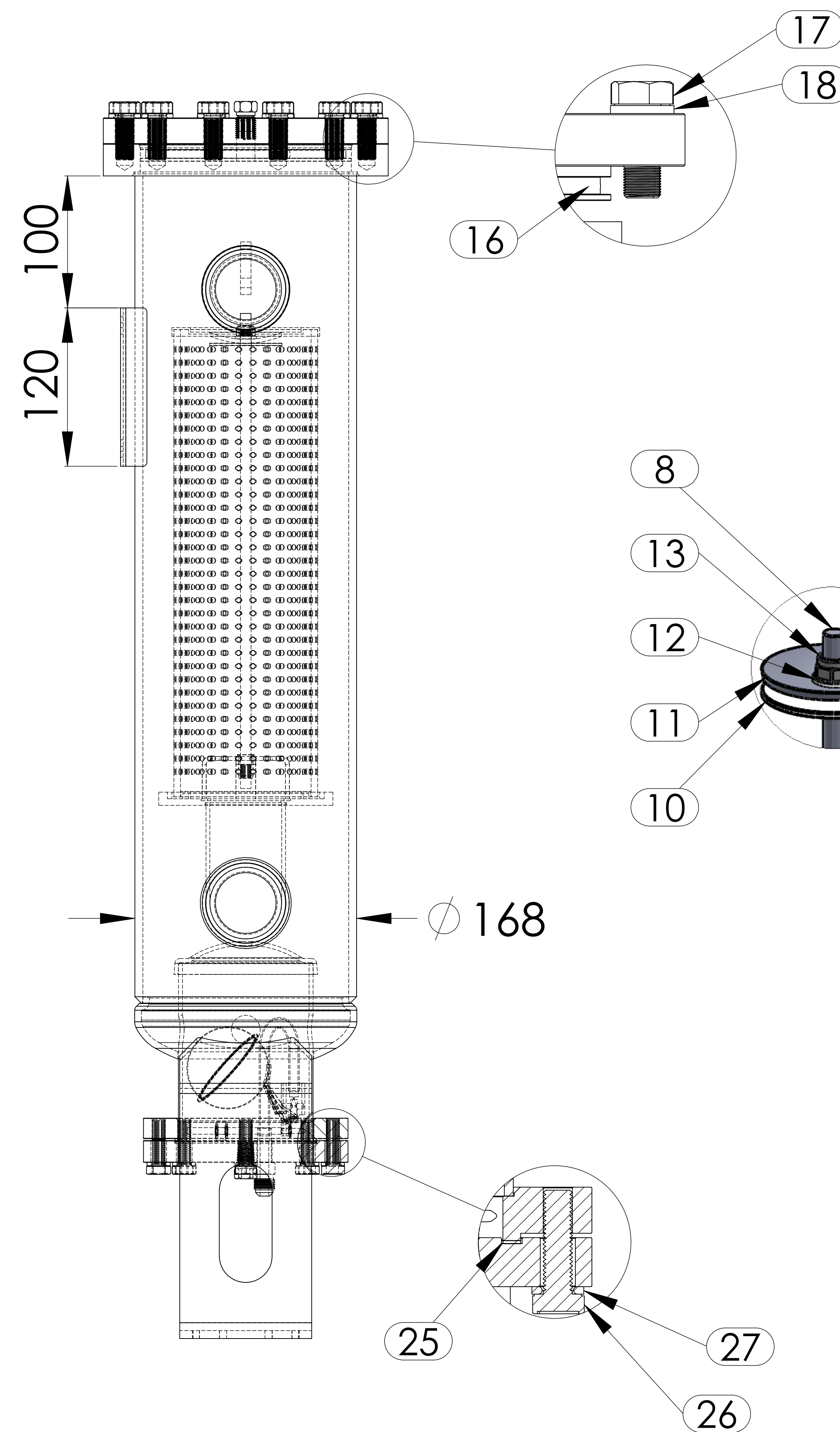
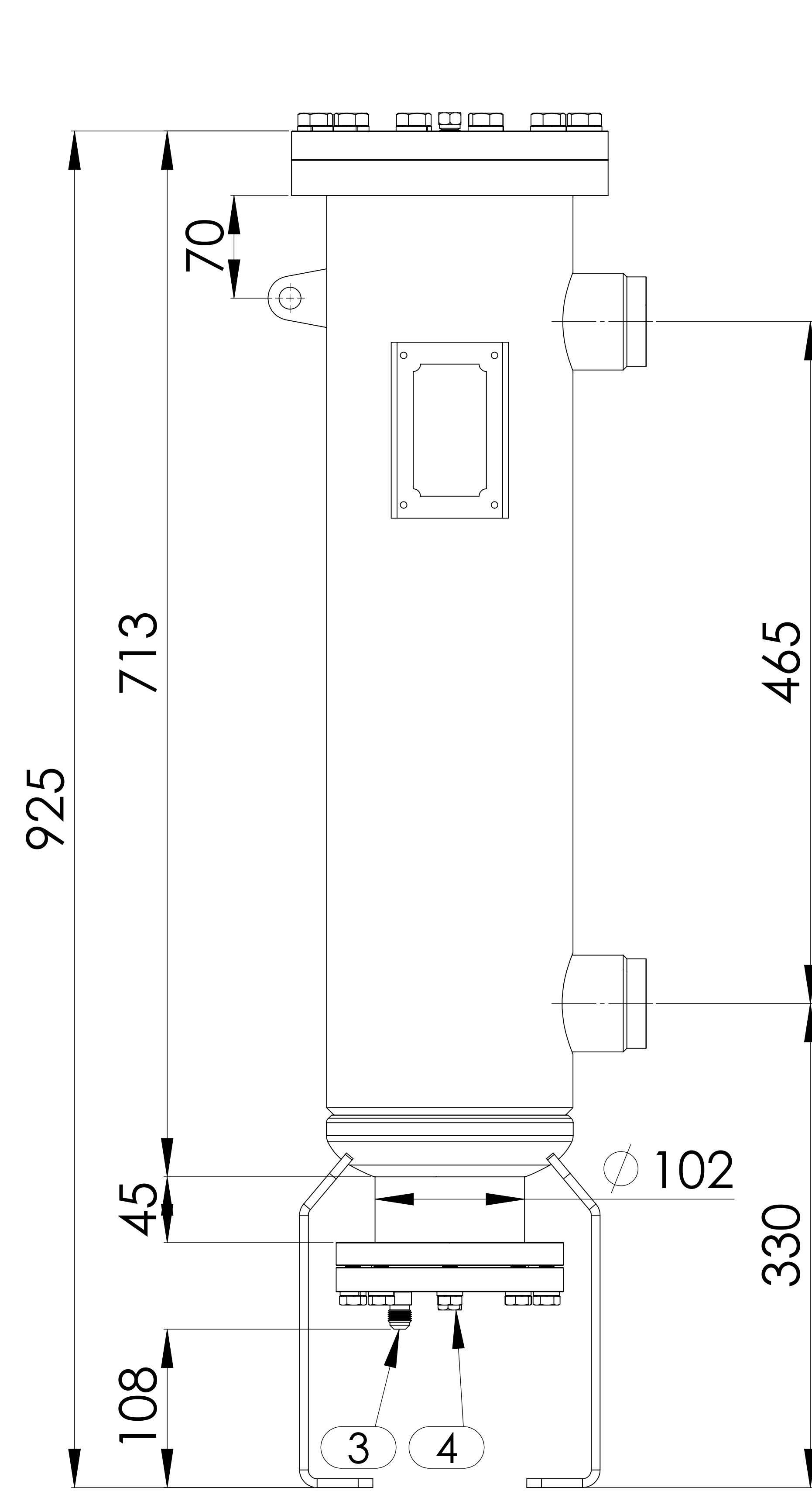
No	Details Of Change	Date	By
01			
02			
03			

RELATED DRAWINGS

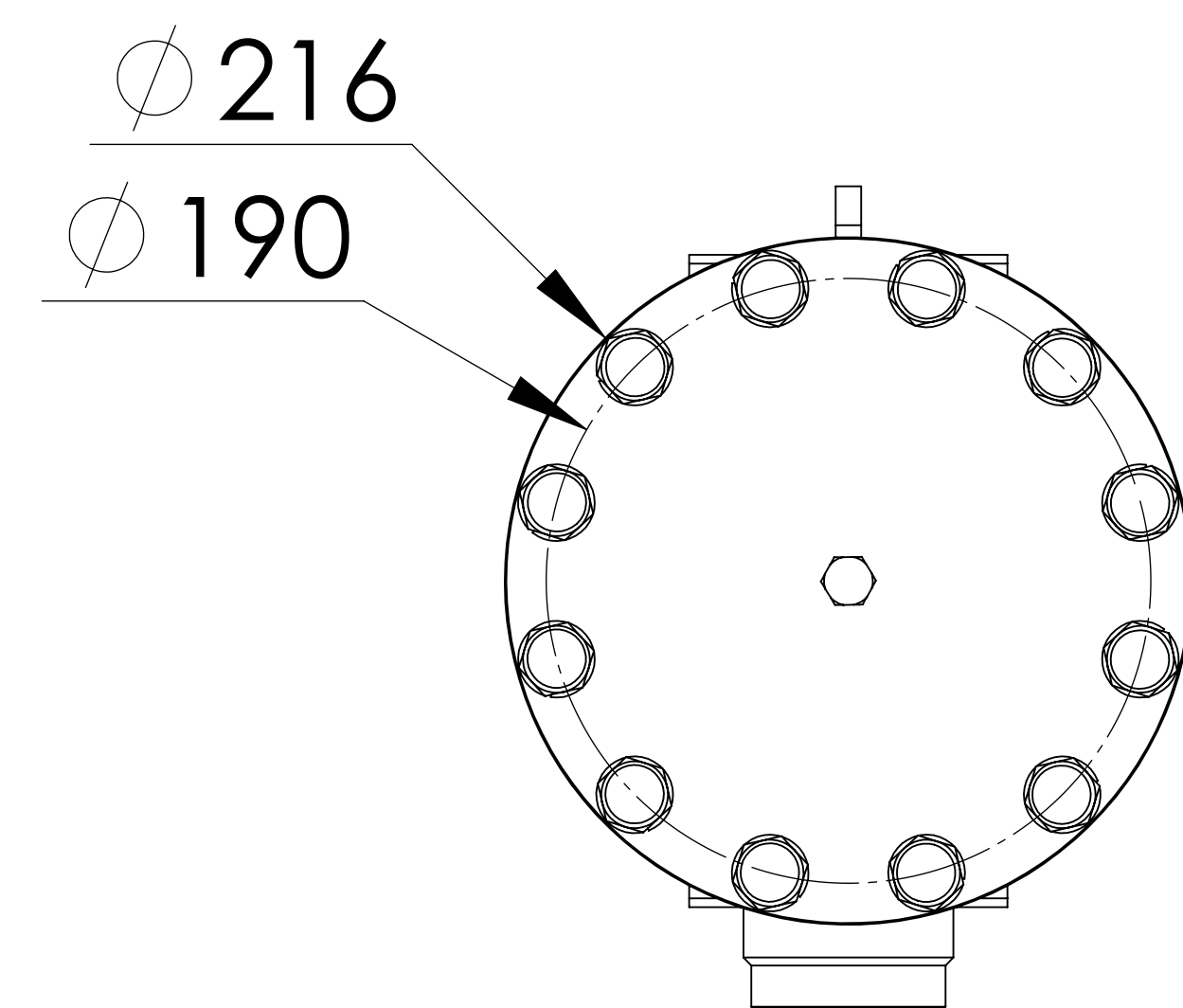
No	Description	Drawing No
01		
02		



We reserve all rights in this document and in the information contained therein. Reproduction use or disclosure to third parties without express authority is strictly forbidden.



Bottom View



Top View

No	Assembly Codes	Qty
1	M005.000429	1
2	M010.000040	1

No	Connection	Model	Code	Material	Qty
15	Top Flange	Ø218x33	107.060.OSC.168.001	P355GH	1
16	ORING	Ø140x6	108.140.006.00H.NBR	HNBR	1
17	Bolt	M14x35	109.140.035.088.C01	8.8	12
18	Washer	M14	109.140.000.000.R01		12
19	Head - Torispheric	Ø168x5 H:50	201.090.168.001.003	P355GH-EN10028-2	1
20	Shell	Ø168x6 H:630,0	204.OSC.90B.054.001	P355NH-EN10217-3	1
21	Cover	Ø102x3	201.045.102.001.007	P355GH-EN10028-2	1
22	Shell	Ø102x3 H:120,0	204.KVN.060.102.001	P355NH-EN10217-3	1
23	Bottom Flange	Ø155x8	107.060.OSC.102.004	P355GH+N	1
24	Top Flange	Ø155x16,5	107.060.OSC.102.003	P355GH+N	1
25	KLINGERIT	107x95x1	108.107.095.000.K01	GP-150	1
26	Bolt	M10x35	109.100.035.088.C01	8.8	8
27	Washer	M10	109.100.000.000.R01		8
28	Leg	230X100X50X6	105.003.SHF.001.002	S235JR	2
29	Label Plate	120x80x2	105.006.002.120.080	DD-13	1
30	Lifting	40x40x8	105.011.MP0.040.040	S235-JR	1