

GÜVEN SOĞUTMA
ÜNİTELERİ SAN. VE TİC. A.Ş.

Add.: Hastane Mah. Hadimköy İstanbul Cd. No:78/1
 34555, Arnavutköy, İstanbul, TURKEY
 Tel: +90 212 771 51 12 - 771 51 13
 Fax: +90 212 771 51 10
 www.gvn.com.tr



GVN STANDART PRODUCT	Customer
COALESCENT OIL SEPARATORS & RESERVOIR	Product
OS.CR.45b.80.1	Code
	Customer Code

DESIGN DATA	
Capacity [Lt.]	23,8 / 75,6
Design Pressure [PS]	45 Bar
Pneumatic Test Pressure [PT]	50 Bar
Hydraulic Test Pressure	65 Bar
Design Temperature [TS]	Min.-20C / Max.+130C
Cooler Fluid Type	HFC-CFC-HCFC-R744
Fluid Group	2
Category	CAT IV / H1
Desing Calculation	EN 14276-1/EN 13445-3
Welded Joint Efficiency	0.85
Material Group (Shell / Head)	1.2
Testing Group	3b
Corrasion Allowance	0,5 mm
Ndt	10%
Packaging Size & Weight	00*00*00 & 00 Kg.
Drawed By	M.ABDULAZİZ
Approved By	D.GÜL
Date	10.04.2023
Color	RAL 5009

MATERIAL DATA					
No	Connection	Model	Code	Material	Qty
1	Outlet Connection	ODS 3 1/8" H:70	106.060.B14.000.007	E275	1
2	Inlet Connection	ODS 3 1/8" H:98	106.060.B14.000.010	E275	1
3	Oil Return Connection	ROT. 1" H:25	106.060.A02.001.001	E275-ST44	1
4	Outlet Valve	RV.45b-3/8S			1
5	PIPE	Ø13x1	204.A13.010.001.185	EN10297-1 E235	1
6	Sight Glass Type Conn.	SG-SW38 H:27	106.OSW.038.001.001	E275	2
7	Sight Glass	SW38	SW-38	E275-ST44	2
8	Elbow	Ø88,9x3,2	114.089.001.001.001		1
9	Holder Support	Ø188x51	105.010.FK0.230.002	S235	1
10	Filter Holder	Ø236x5	105.010.FK0.230.001	S235	1
11	Threaded Rod	M12	109.120.390.088.CO1		1
12	Filter	FK.230.1	FK.230.1	-	1
13	Plastic Washer	Ø55x2	109.120.000.000.P03		1
14	Metal Washer	Ø55x3	105.010.FK0.230.003	S235JR	1

GENERAL NOTES

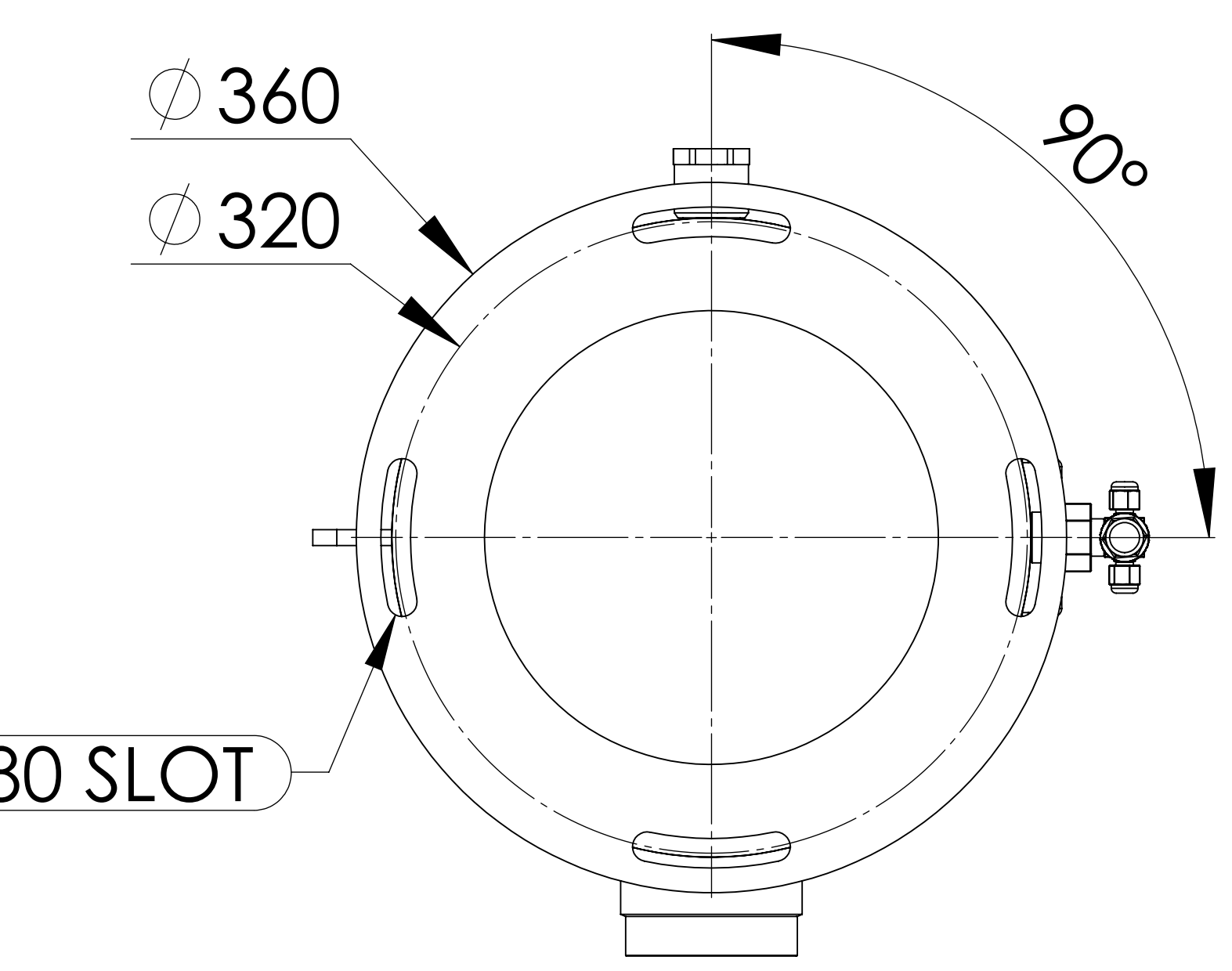
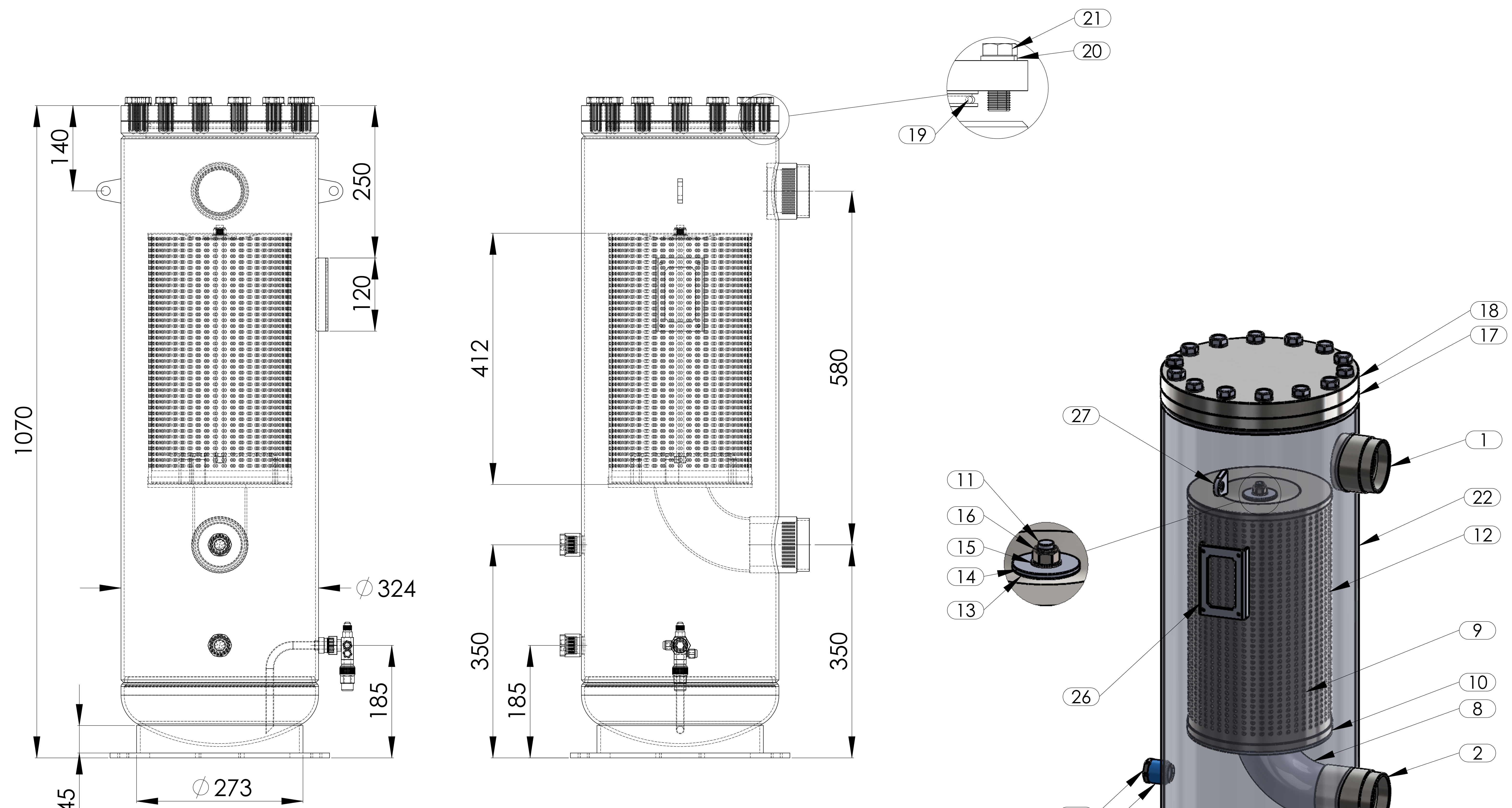
- Max. allowable operating pressure (PS) according to the temperature range;
- 1) Allowable operating temperature : min. -20C° / max. +130C° PS1 = 45 Bar
- 2) Allowable operating temperature : min. -40C° / max. -20C° PS2 = 33 Bar
- Unless otherwise specified dimensions in MM
- Unless otherwise specified do not scale
- Unless otherwise specified tube must be clean&free from burrs inside&outside&suitable for soldering
- Unless otherwise specified do not scale indicated thickness are min. after forming or machining
- Unless otherwise specified dimension tolerances according to EN 113445-4

REVISIONS			
No	Details Of Change	Date	By
01			
02			
03			

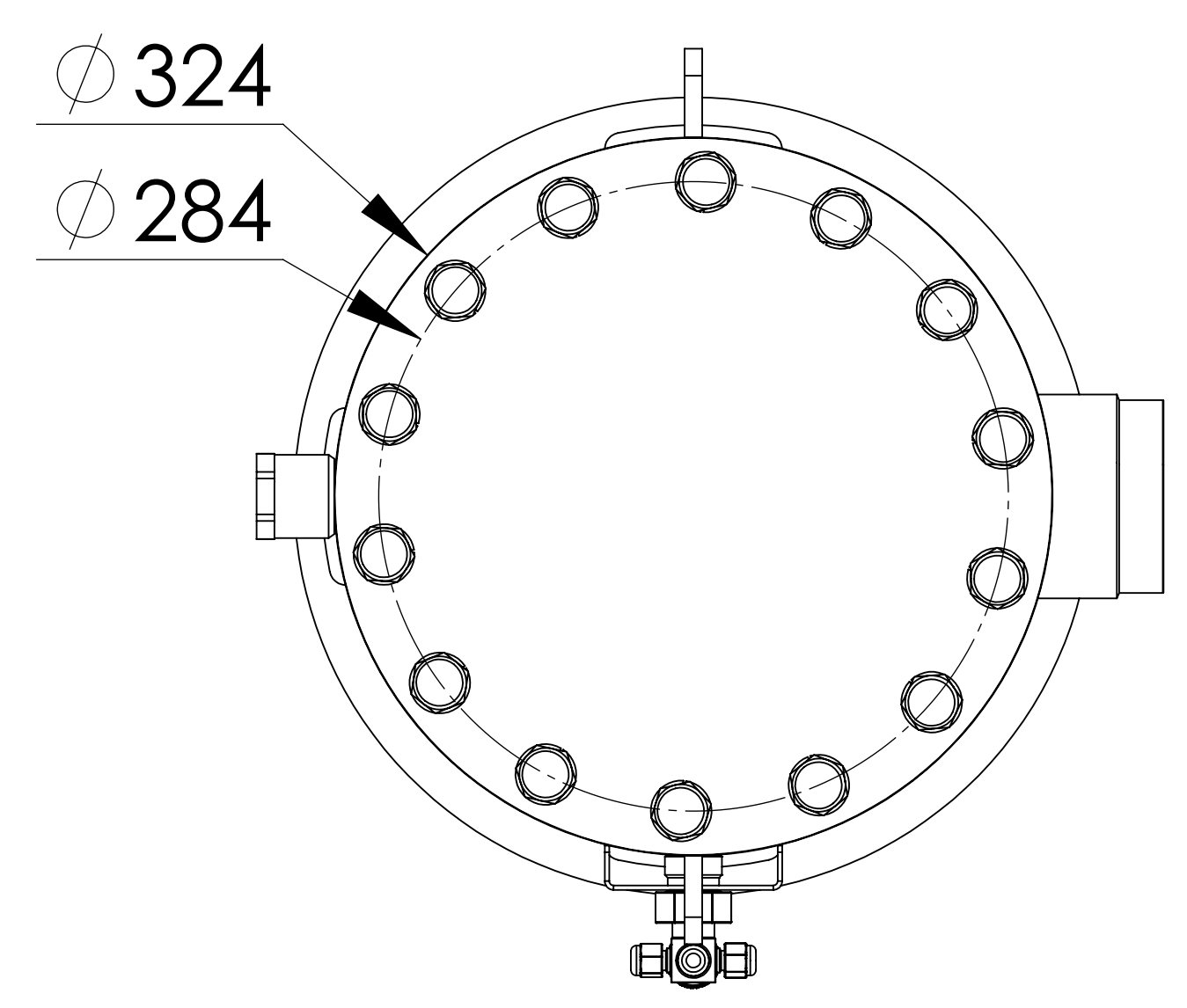
RELATED DRAWINGS	
No	Description
01	
02	



We reserve all rights in this document and in the information contained therein. Reproduction use or disclosure to third parties without express authority is strictly forbidden.



Bottom View



Top View

No	Assembly Codes	Qty
1	M005.000442	1

No	Connection	Model	Code	Material	Qty
15	Plastic Washer	M12	109.120.000.000.P02		1
16	Lock Nut	M12	109.120.000.000.SF1		1
17	Bottom Flange	Ø324x28	107.045.OSC.324.002	P355GH	1
18	Top Flange	Ø324x38	107.045.OSC.324.001	P355GH	1
19	ORING	Ø225x6	108.225.006.00H.NBR	HNBR	1
20	Washer	M16	109.160.000.000.R01		14
21	Bolt	M16x45	109.160.045.088.CO1		14
22	Shell	Ø324x5 H:896,5	204.OSC.R45.080.001	P355NH-EN10217-3	1
23	Head - Torispheric	Ø324x5 H:105	101.045.324.001.000	P355GH EN10028-2	1
24	Base Plate	Ø360x8	105.005.360.001.001	S235	1
25	Skirt	Ø273x5 H:45	104.130.H45.360.273	S235	1
26	Label Plate	120x80x2	105.006.002.120.080	DD-13	1
27	Lifting	40x40x8	105.011.MP0.040.040	S235-JR	2