

GVN STANDART PRODUCT **Customer**

CONVENTIONAL OIL SEPARATOR **Product**

OS.F.33B.35.1 **Code**

Customer Code

DESIGN DATA

Capacity [Lt.]	5.3 Lt.
Design Pressure [PS]	33 Bar
Pneumatic Test Pressure [PT]	37 Bar
Hydraulic Test Pressure	48 Bar
Design Temperature [TS]	Min.-20C / Max.+130C
Cooler Fluid Type	HFC-CFC-HCFC
Fluid Group	2
Category	CATI / A
Desing Calculation	EN 14276-1/EN 13445-3
Welded Joint Efficiency	0.85
Material Group (Shell / Head)	1.2
Testing Group	3b
Ndt	ACC. TO EN 14276-1
Packaging Size & Weight	00*00*00 & 00 Kg.
Drawed By	H.DALSIZ
Approved By	D.GÜL
Date	23.04.2022
Color	RAL 5009

MATERIAL DATA

No	Connection	Model	Code	Material	Qty
1	Inlet Connection	ODS 1 3/8" H:80	106.033.B08.000.001	E275	1
2	Outlet Connection	ODS 1 3/8" H:80	106.033.B08.000.001	E275	1
3	Oil Return Connection	SAE 3/8" H:51.5	106.060.Y02.001.003	E275	1
4	Bolt+Washer	M10x30	109.100.030.088.C01	8.8	8
5	Top Flange	Ø186	107.033.OSF.140.001	P355GH+N	1
6	Bottom Flange	Ø186	107.033.OSF.140.002	P355GH+N	1
7	Shell	Ø140x3 H: 342	104.060.140.OSO.001	EN 10217-3 P355NH	1
8	Head - Torispheric	Ø140x3 H:45	101.060.140.001.000	EN10028-2 P355GH	1
9	Skirt With	Ø136x2,5 H:17	105.004.136.001.001	DD-13	1

GENERAL NOTES

- Max. allowable operating pressure (PS) according to the temperature range;
- 1) Allowable operating temperature : min. -10C° / max. +100C° PS1 = 33 Bar
- 2) Allowable operating temperature : min. -10C° / max. -40C° PS2 = 24 Bar
- Unless otherwise specified dimensions in MM
- Unless otherwise specified do not scale
- Unless otherwise specified tube must be clean&free from burrs inside&outside&uitable for soldering
- Unless otherwise specified do not scale indicated thickness are min. after forming or machining
- Unless otherwise specified dimension tolerances according to EN 113445-4

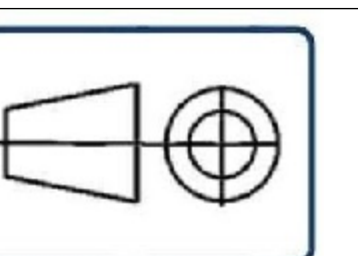
REVISIONS

No	Details Of Change	Date	By
01	OS.30B.35.1 GÖVDE BORUSU YERLEŞTİRİLMİŞTİR	14.06.2022	M.ABDULAZİZ
02			
03			

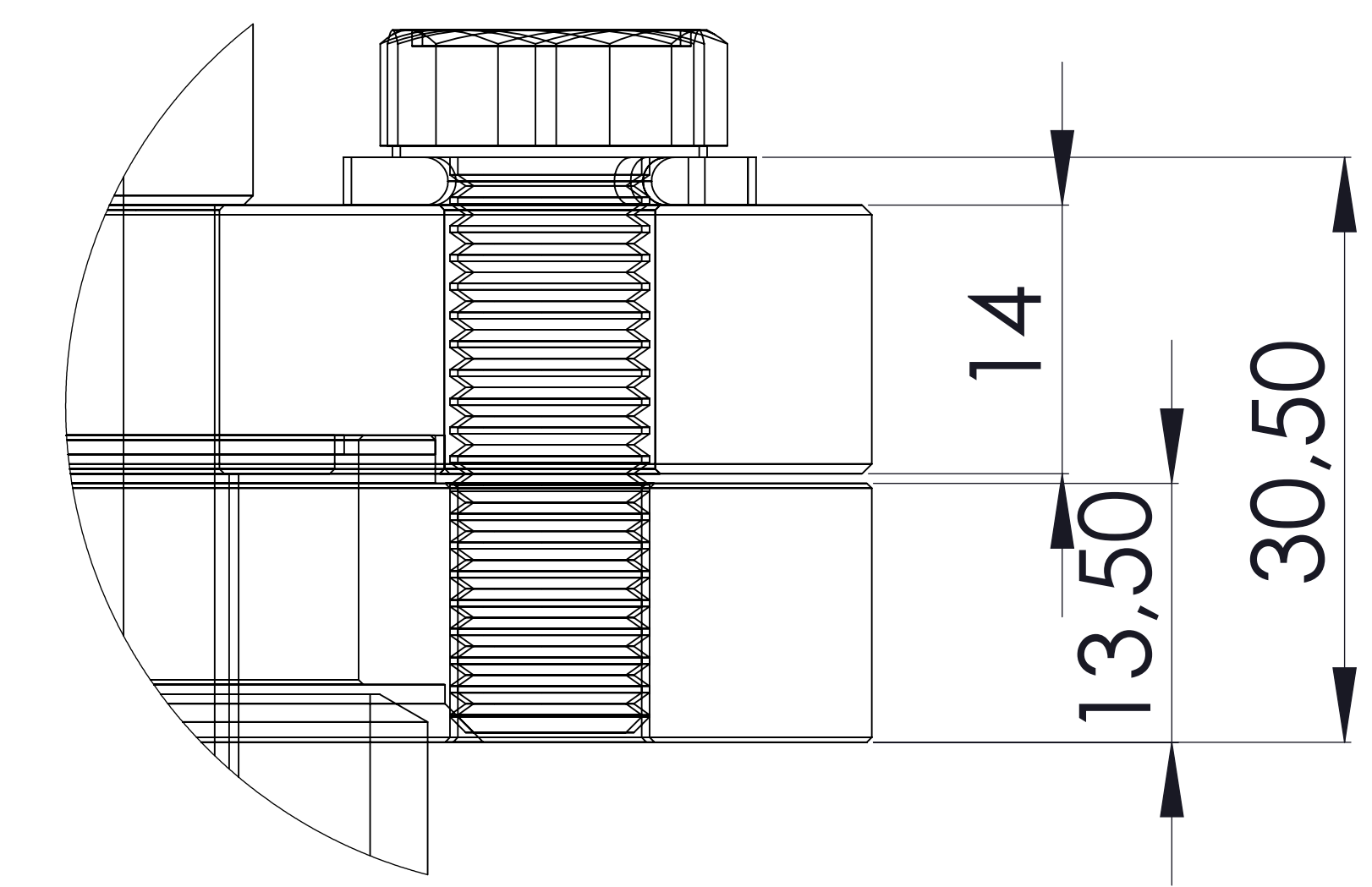
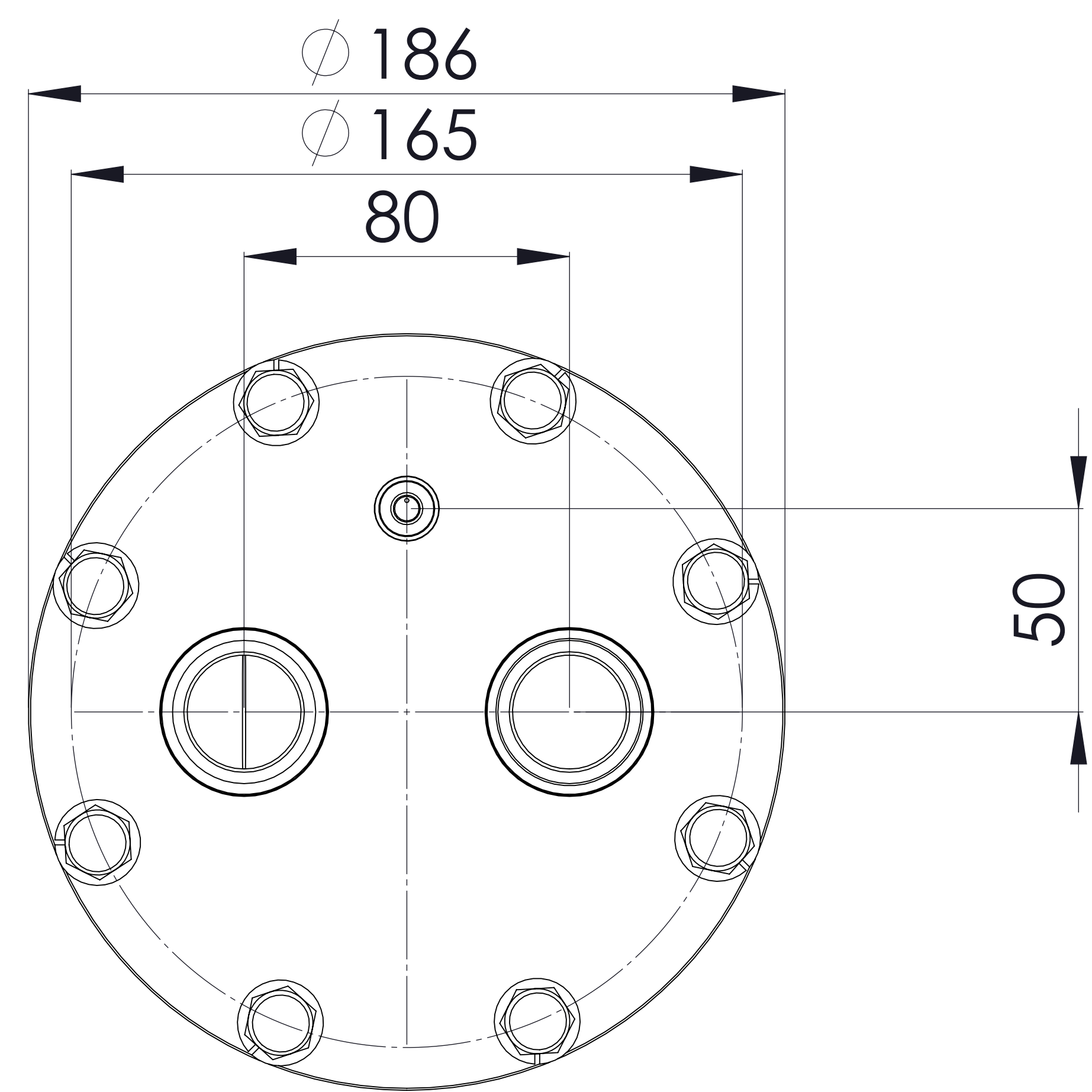
RELATED DRAWINGS

No	Description	Drawing No
01		
02		

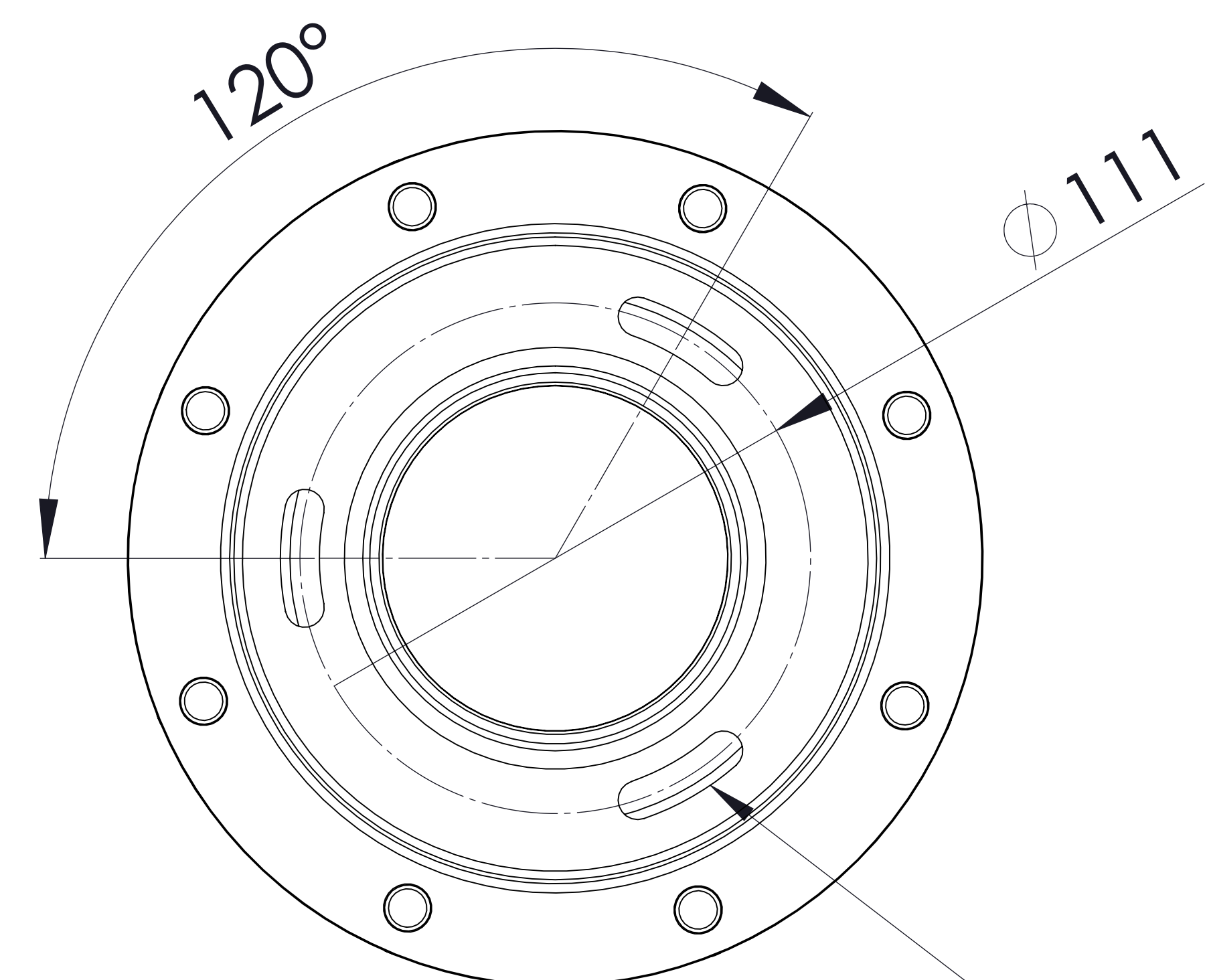
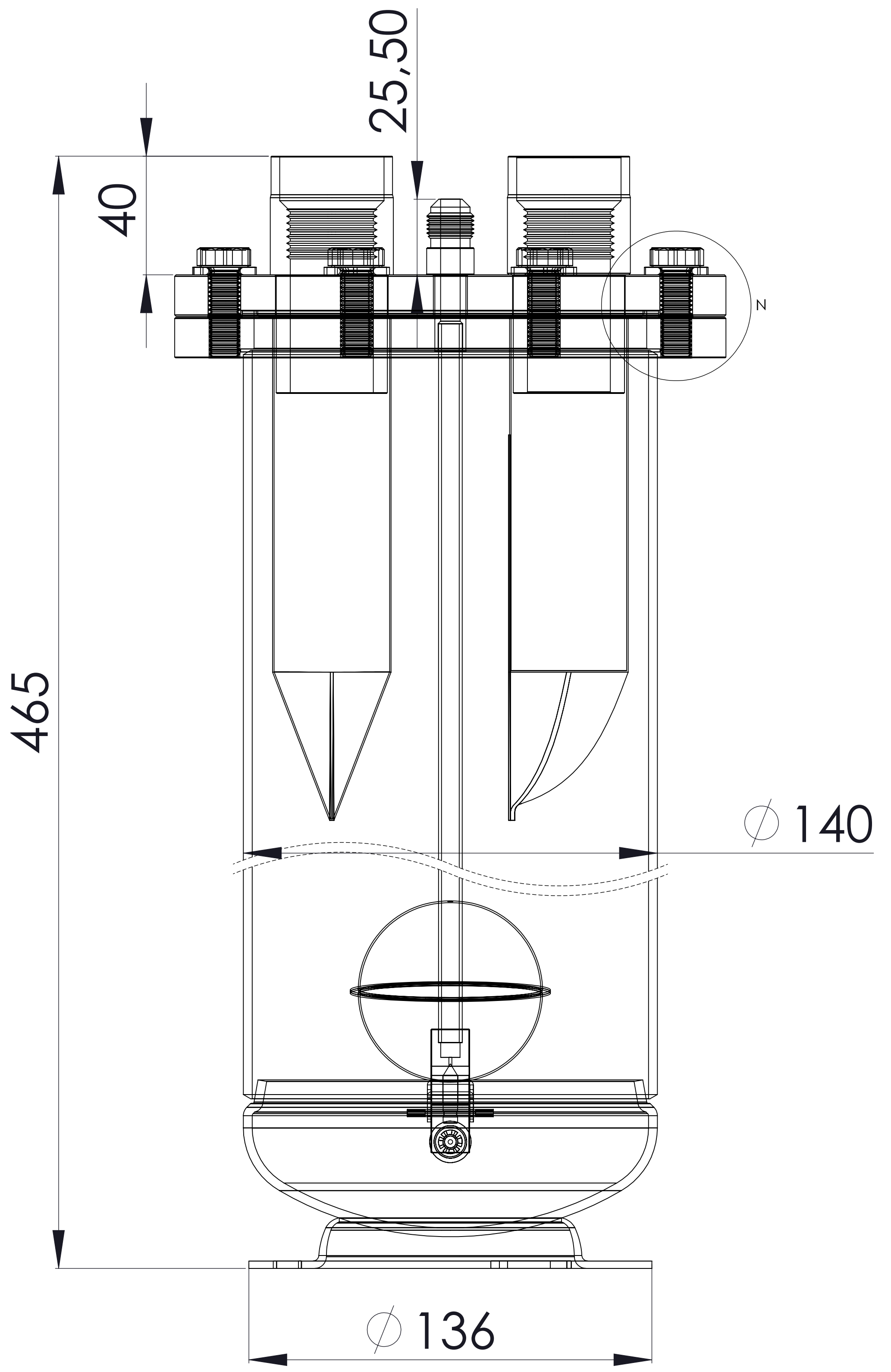
No	Assembly Codes	Qty
1	M006.000003	1
2	M010.000022	1



We reserve all rights in this document and in the information contained therein. Reproduction use or disclosure to third parties without express authority is strictly forbidden.



DETAY N
ÖLÇEK 3 : 1



Ø8,5x30 Slot

