

GVN STANDART PRODUCT

Customer

CONVENTIONAL OIL SEPARATOR

Product

OS.F.33B.54.1

Code

Customer Code

DESIGN DATA

Capacity [Lt.]	7.8 Lt.
Design Pressure [PS]	33 Bar
Pneumatic Test Pressure [PT]	37 Bar
Hydraulic Test Pressure	48 Bar
Design Temperature [TS]	Min.-20C / Max.+130C
Cooler Fluid Type	HFC-CFC-HCFC
Fluid Group	2
Category	CATII / D1
Desing Calculation	EN 14276-1/EN 13445-3
Welded Joint Efficiency	0.85
Material Group (Shell / Head)	1.2
Testing Group	3b
Ndt	ACC. TO EN 14276-1
Packaging Size & Weight	00*00*00 & 00 Kg.
Drawed By	H.DALSIZ
Approved By	D.GÜL
Date	23.04.2022
Color	RAL 5009

MATERIAL DATA

No	Connection	Model	Code	Material	Qty
1	Inlet Connection	ODS 2 1/8"	106.033.B10.000.003	ST44-E275	1
2	Outlet Connection	ODS 2 1/8"	106.033.B10.000.003	ST44-E275	1
3	Oil Return Connection	SAE 3/8" H:51.5	106.060.Y02.001.003	E275	1
4	Bolt+Washer	M10x35	109.100.035.088.C01	8.8	10
5	Top Flange	Ø223	107.033.OSF.168.001	P355GH+N	1
6	Bottom Flange	Ø223	107.033.OSF.168.002	P355GH+N	1
7	Shell	Ø168x3 H: 346	104.045.168.OS0.001	EN 10217-3 P355NH	1
8	Head - Torispheric	Ø168x3 H:50	101.045.168.001.000	EN10028-2 P355GH	1
9	Skirt With	Ø162x2,5 H:18	105.004.162.001.001	DD-13	1

GENERAL NOTES

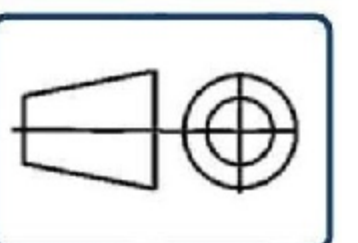
- Max. allowable operating pressure (PS) according to the temperature range;
- 1) Allowable operating temperature : min. -10C° / max. +100C° PS1 = 33 Bar
- 2) Allowable operating temperature : min. -10C° / max. -40C° PS2 = 24 Bar
- Unless otherwise specified dimensions in MM
- Unless otherwise specified do not scale
- Unless otherwise specified tube must be clean&free from burrs inside&outside&uitable for soldering
- Unless otherwise specified do not scale indicated thickness are min. after forming or machining
- Unless otherwise specified dimension tolerances according to EN 113445-4

REVISIONS

No	Details Of Change	Date	By
01	Düzenlendi	28.06.2022	M.ABDULAZİZ
02			
03			

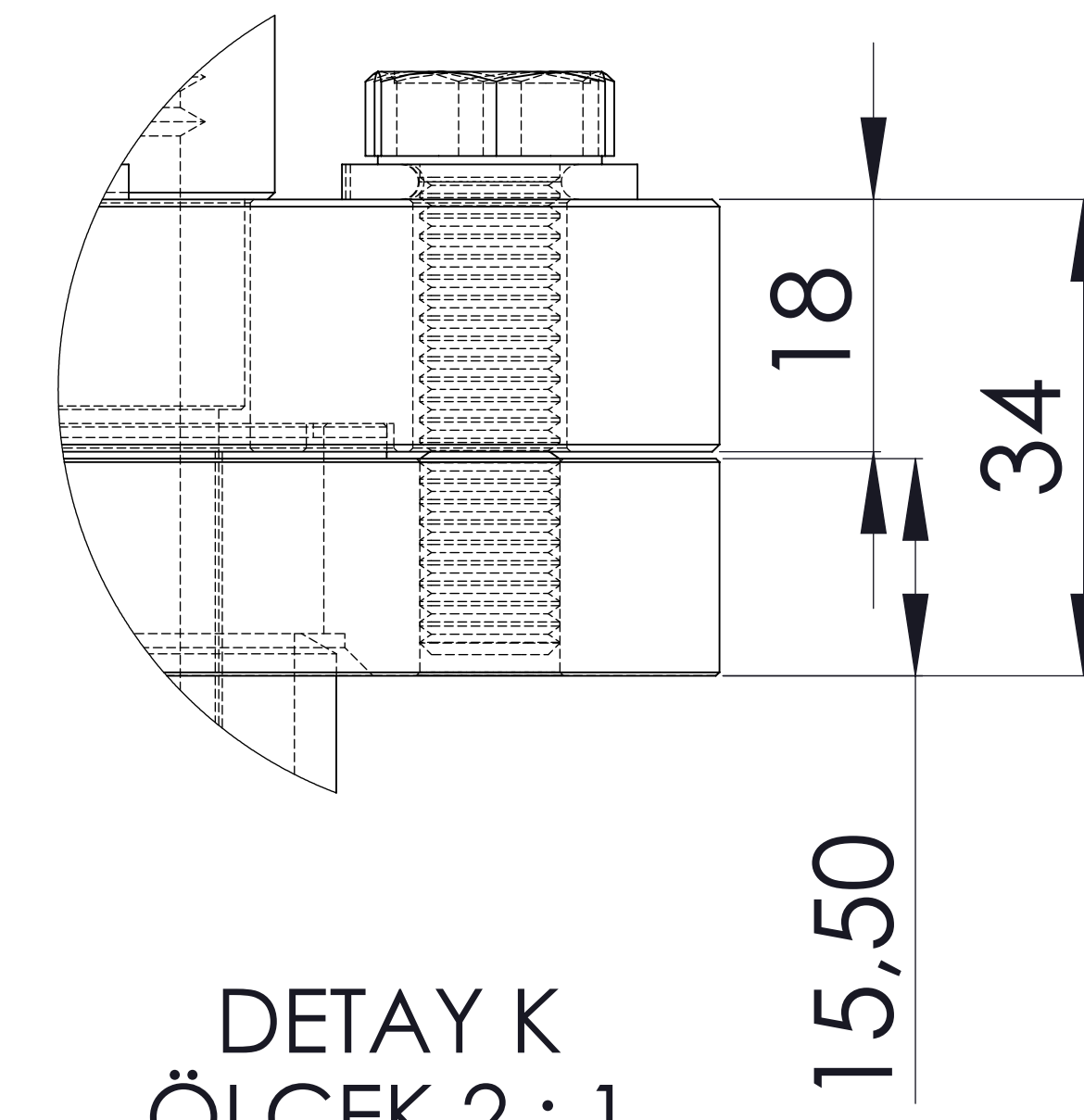
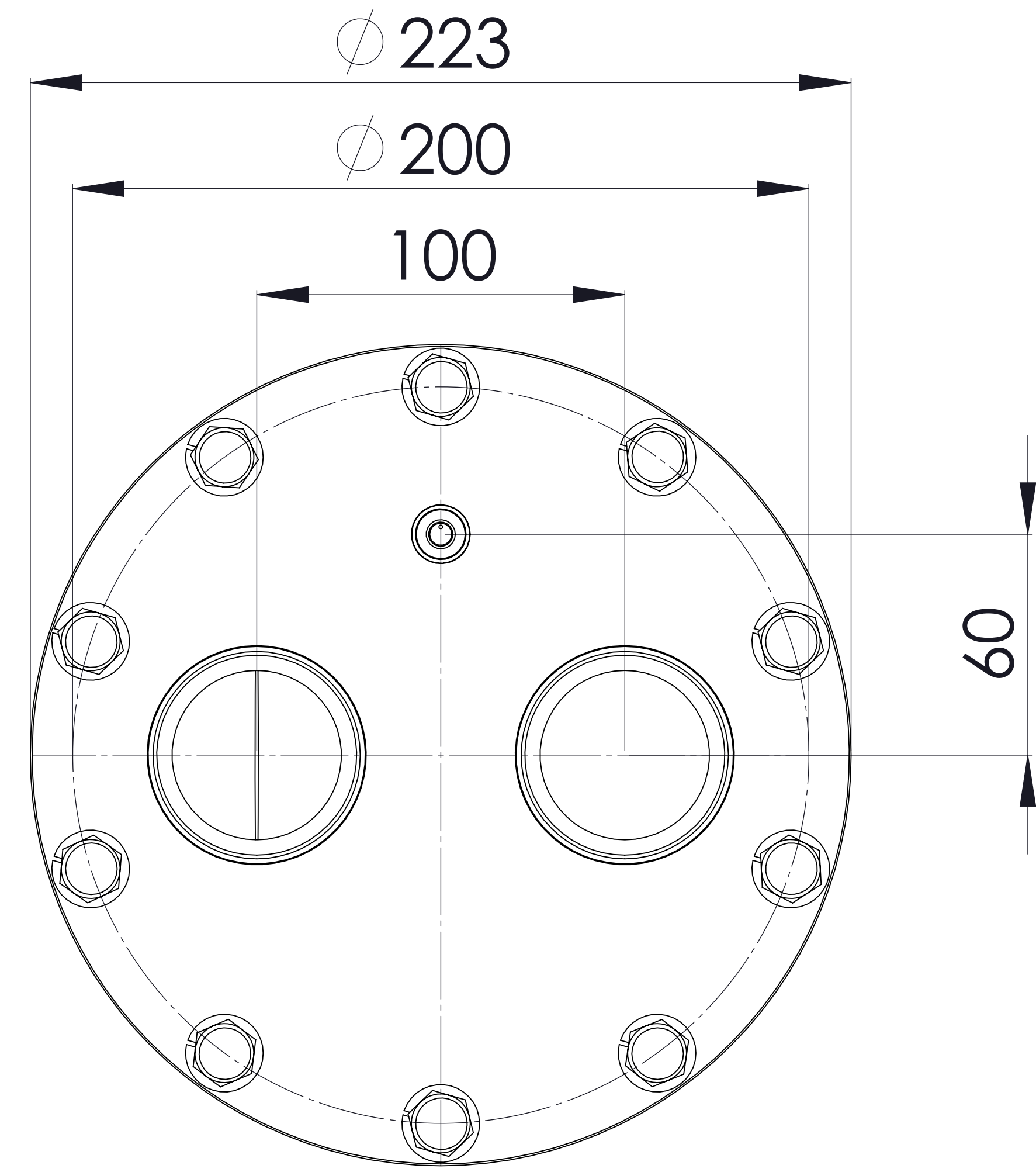
RELATED DRAWINGS

No	Description	Drawing No
01		
02		



We reserve all rights in this document and in the information contained therein. Reproduction use or disclosure to third parties without express authority is strictly forbidden.

No	Assembly Codes	Qty
1	M006.000004	1
2	M010.000024	1



DETAY K
ÖLÇEK 2 : 1

