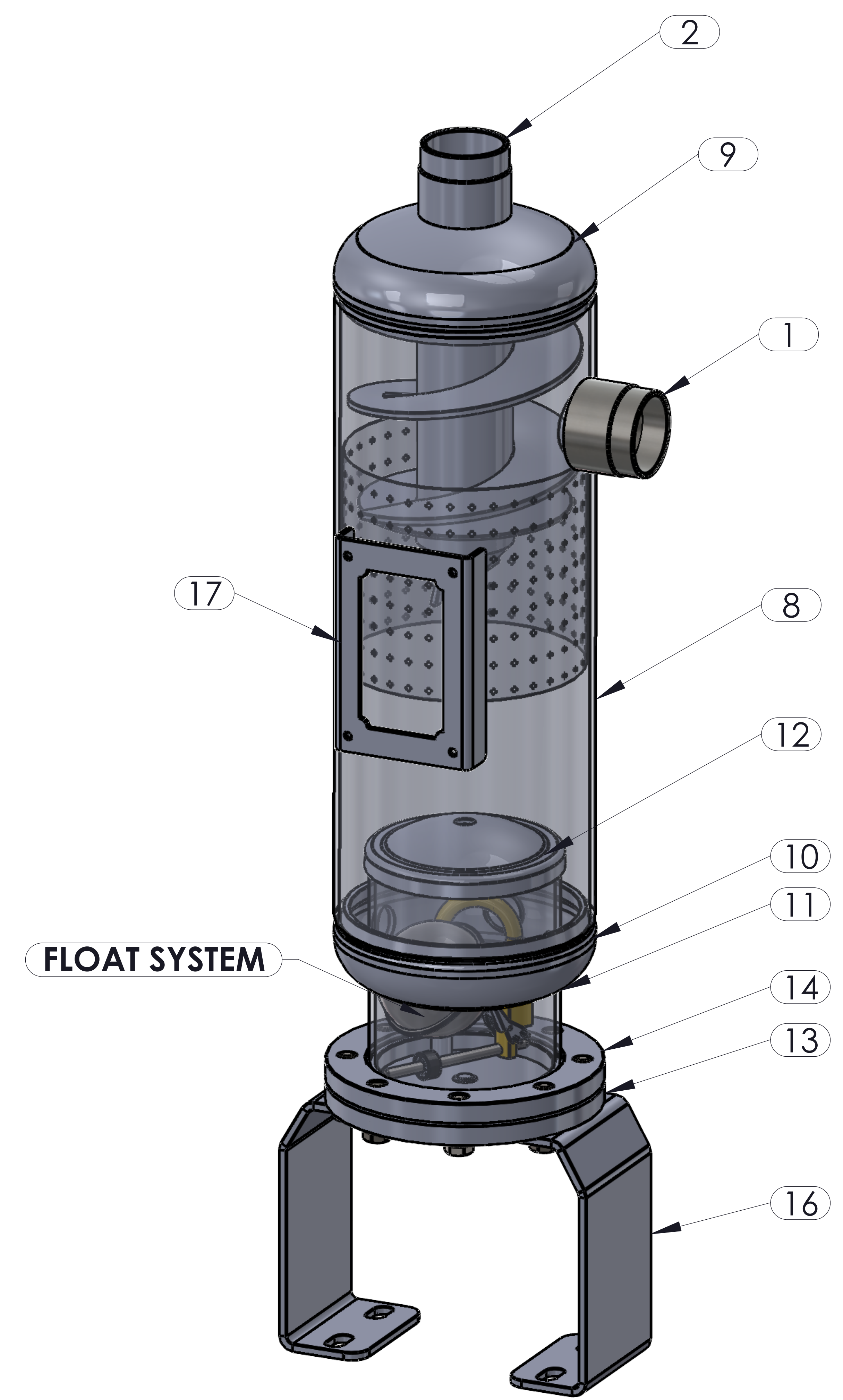


Detail: K  
3:1



No	Assembly Codes	Qty
1	M005.000337	1
2	M010.000038	1

No	Connection	Model	Code	Material	Qty
15	Gasket	KLINGERIT	108.104.095.000.K01		1
16	Leg	143x80x48x4mm	105.003.SHF.001.001	S235JR	2
17	Label Plate	120x80x2	105.006.002.120.080	DD-13	1

GVN STANDARD PRODUCT	Customer
HELICAL OIL SEPARATORS & FLANGE	Product
OS.HF.33b.42.1	Code
	Customer Code

DESIGN DATA	
Pre-charge / Capacity [Lt.]	0,7 / 6
Design Pressure [PS]	33 Bar
Pneumatic Test Pressure [PT]	36 Bar
Hydraulic Test Pressure	48 Bar
Design Temperature [TS]	Min.-20C / Max.+130C
Cooler Fluid Type	HFC-CFC-HCFC
Fluid Group	2
Category	CAT I / A
Desing Calculation	EN 14276-1/EN 13445-3
Welded Joint Efficiency	0.85
Material Group (Shell / Head)	1.2
Testing Group	3b
Corrasion Allowance	0,5 mm
Ndt	10%
Packaging Size & Weight	00*00*00 & 00 Kg.
Drawed By	M.ABDULAZİZ
Approved By	D.GÜL
Date	12.10.2022
Color	RAL 5009

MATERIAL DATA					
No	Connection	Model	Code	Material	Qty
1	Inlet Connection	ODS 1 5/8" H:40	106.060.B09.000.001	E275	1
2	Outlet Connection	ODS 1 5/8" H:40	106.060.B09.000.002	E275	1
3	Oil Return Connection	SAE 3/8" H:51,5	106.060.Y02.001.003	E275	1
4	Blind Plug	NPT 1/4"Plug	106.130.F02.001.001	S235	1
5	Bolt	M8x25	109.080.025.088.C01	8.8	4
6	Bolt	M8x30	109.080.030.088.C01	8.8	4
7	Washer	M8	109.080.000.000.R01		8
8	Shell	Ø140x3 H:357,00	204.OSH.F60.042.001	P355NH-EN10217-3	1
9	Head - Torispheric	Ø140x3 H:45	201.060.140.001.006	EN10028-2 P355GH	1
10	Head - Torispheric	Ø140x3 H:33	201.060.140.001.008	EN10028-2 P355GH	1
11	Shell	Ø102x3 H:120,00	204.KVN.060.102.001	P355NH-EN10217-3	1
12	Head	Ø107x2,5 H:24,5	201.030.102.001.001	P355GH-EN10028-2	1
13	Top Flange	Ø149	107.033.OSH.102.001	P355GH+N	1
14	Bottom Flange	Ø149	107.033.OSH.102.002	P355GH+N	1

**GENERAL NOTES**

- Max. allowable operating pressure (PS) according to the temperature range;
- 1) Allowable operating temperature : min. -20C° / max. +130C° PS1 = 33 Bar
- 2) Allowable operating temperature : min. -40C° / max. -20C° PS2 = 24 Bar
- Unless otherwise specified dimensions in MM
- Unless otherwise specified do not scale
- Unless otherwise specified tube must be clean&free form burrs inside&outside&uitable for soldering
- Unless otherwise specified do not scale indicated thickness are min. after forming or machining
- Unless otherwise specified dimension tolerances according to EN 113445-4

REVISIONS			
No	Details Of Change	Date	By
01			
02			
03			

RELATED DRAWINGS		
No	Description	Drawing No
01		
02		