

GVN STANDARD PRODUCT Customer

HELICAL OIL SEPARATORS & FLANGE Product

OS.HF.33b.42.2 Code

Customer Code

**DESIGN DATA**

Pre-charge / Capacity [Lt.]	0,7 / 14
Design Pressure [PS]	33 Bar
Pneumatic Test Pressure [PT]	36 Bar
Hydraulic Test Pressure	48 Bar
Design Temperature [TS]	Min.-20C / Max.+130C
Cooler Fluid Type	HFC-CFC-HCFC
Fluid Group	2
Category	CAT II / D1
Desing Calculation	EN 14276-1/EN 13445-3
Welded Joint Efficiency	0.85
Material Group (Shell / Head)	1.2
Testing Group	3b
Corrasion Allowance	0,5 mm
Ndt	10%
Packaging Size & Weight	00*00*00 & 00 Kg.
Drawed By	M.ABDULAZİZ
Approved By	D.GÜL
Date	12.10.2022
Color	RAL 5009

**MATERIAL DATA**

No	Connection	Model	Code	Material	Qty
1	Inlet Connection	ODS 42	106.060.B09.000.001	E275	1
2	Outlet Connection	ODS 1 5/8" H:40	106.060.B09.000.002	E275	1
3	Oil Return Connection	SAE 3/8" H:51,5	106.060.Y02.001.003	E275	1
4	Blind Plug	NPT 1/4"Plug	106.130.F02.001.001	S235	1
5	Bolt	M8X25	109.080.025.088.C01	8.8	8
6	Washer	M8	109.080.000.000.R01		8
7	Shell	Ø219x3 H:275,50	204.OSH.F33.042.002	P355NH-EN10217-3	1
8	Head - Torispheric	Ø219x3 H:73	201.033.219.001.005	EN10028-2 P355GH	1
9	Head - Torispheric	Ø219x3 H:67	201.033.219.001.004	EN10028-2 P355GH	1
10	Shell	Ø102x3 H:120,00	204.KVN.060.102.001	P355NH-EN10217-3	1
11	Head	Ø107x2,5 H:24,5	201.030.102.001.001	P355GH-EN10028-2	1
12	Top Flange	Ø149	107.033.OSH.102.001	P355GH+N	1
13	Bottom Flange	Ø149	107.033.OSH.102.002	P355GH+N	1
14	Gasket	KLINGERIT	108.104.095.000.K01		1

**GENERAL NOTES**

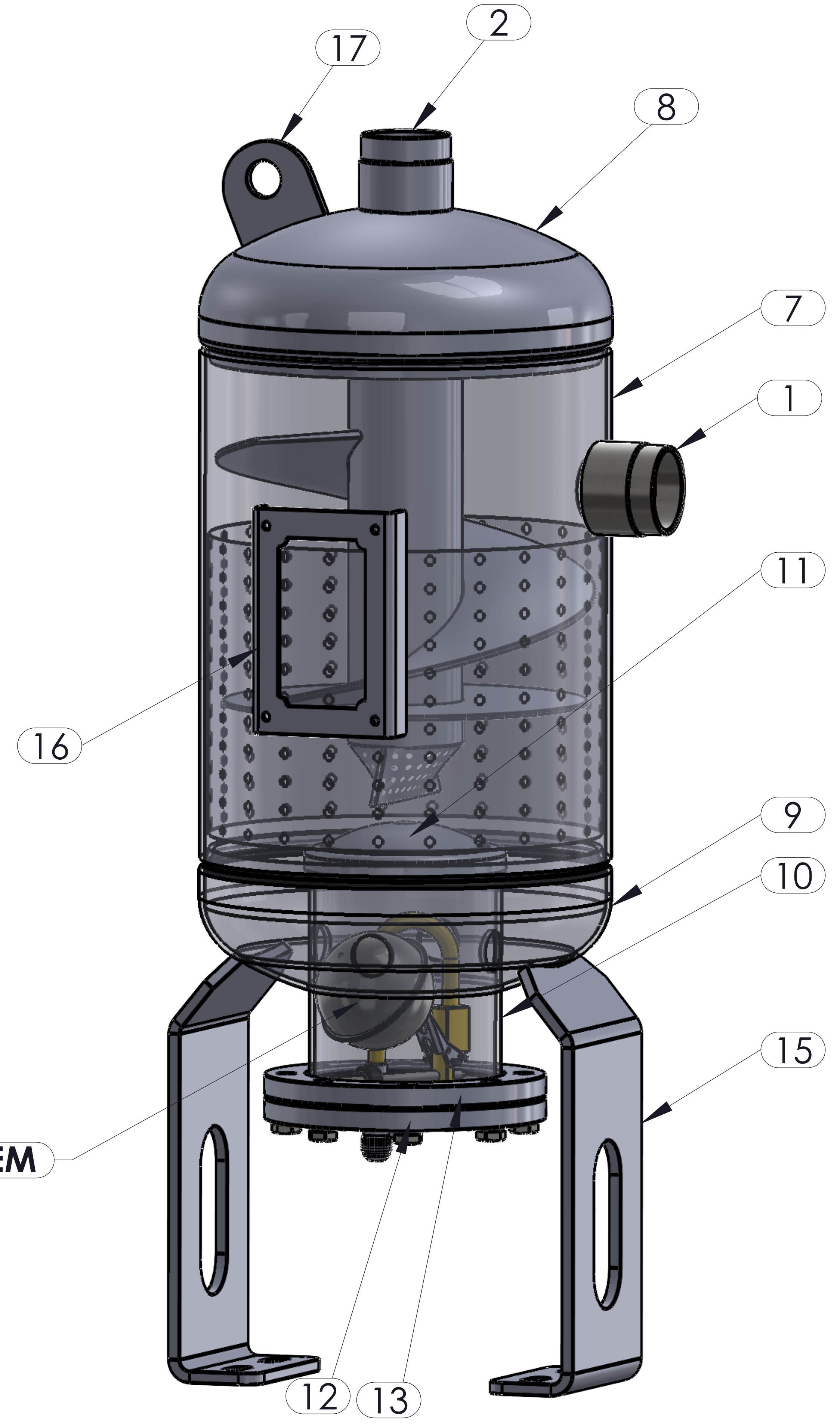
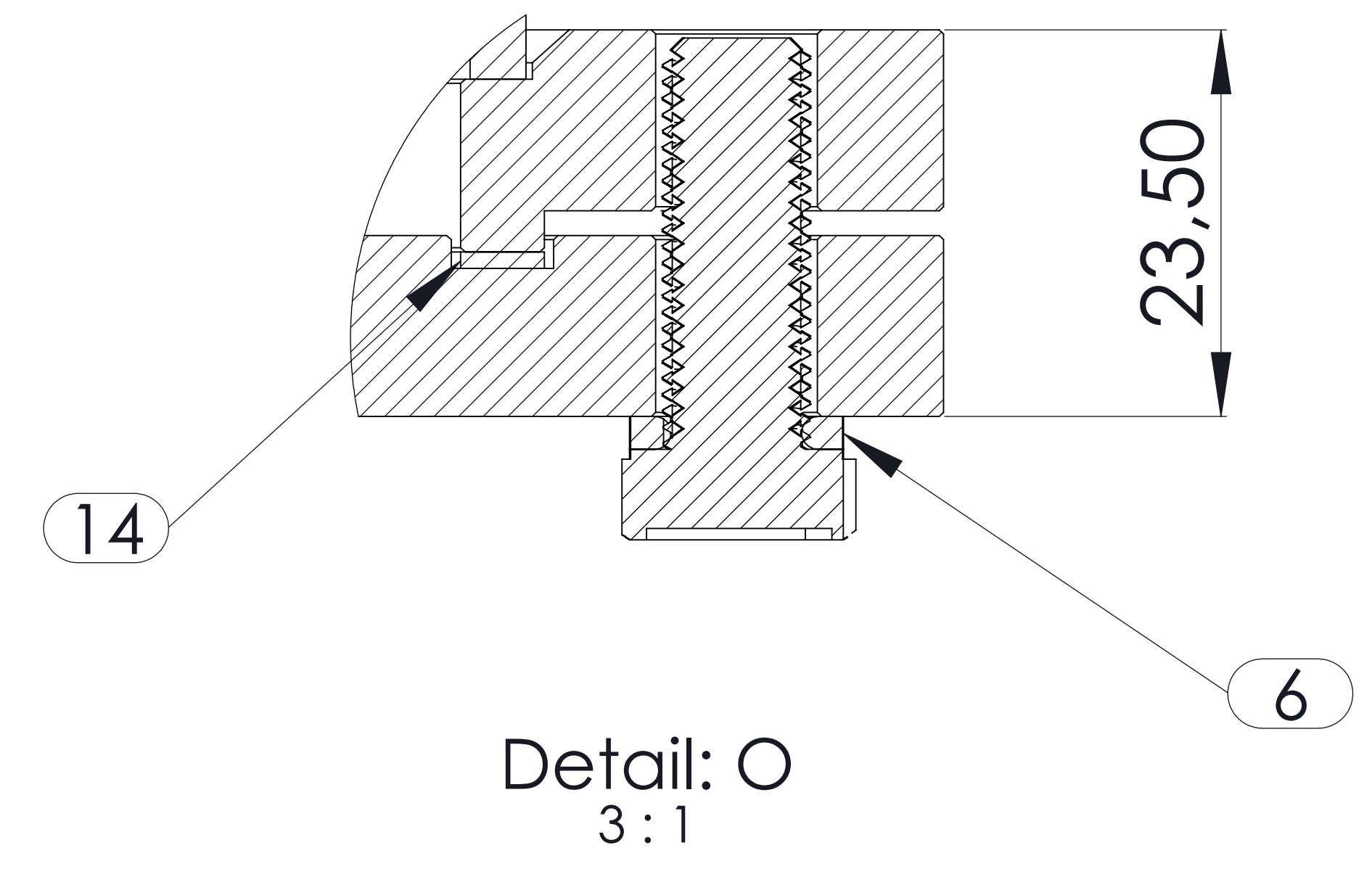
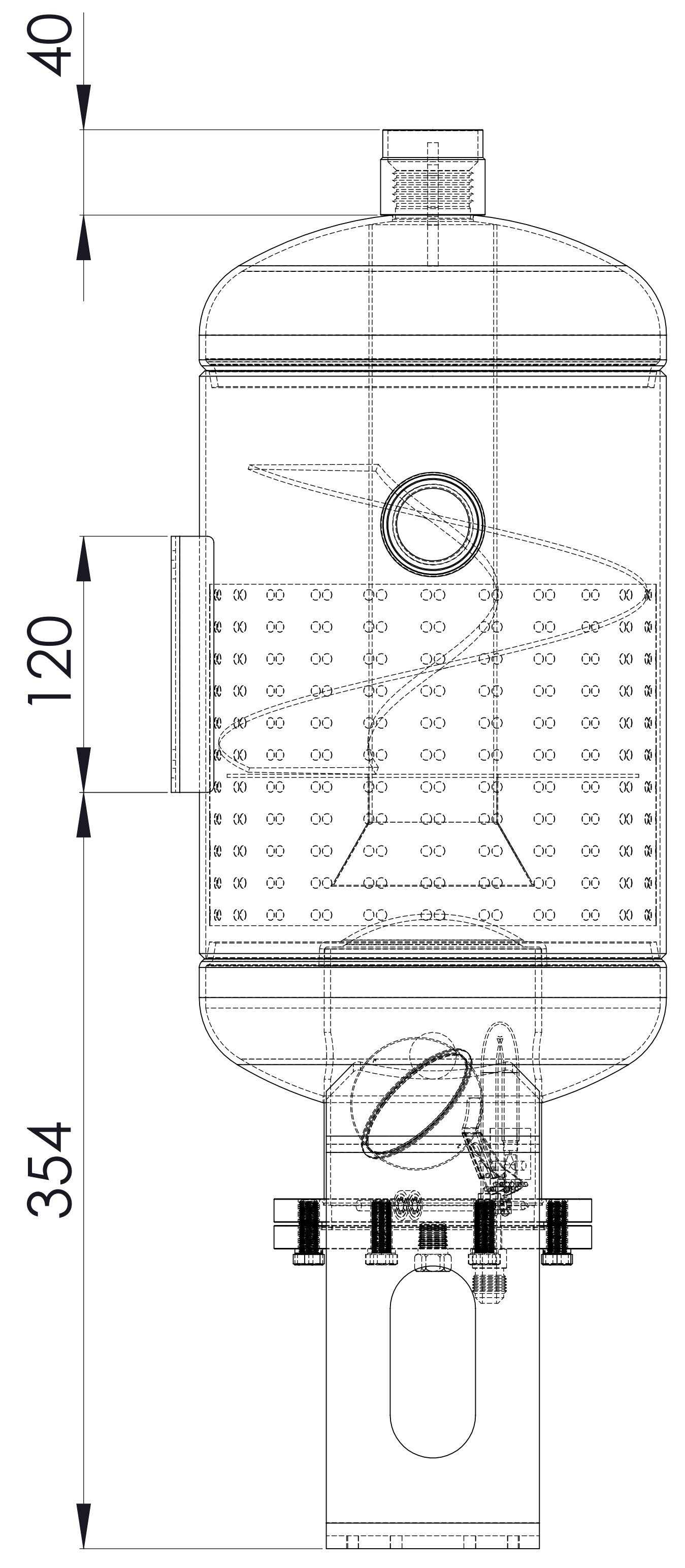
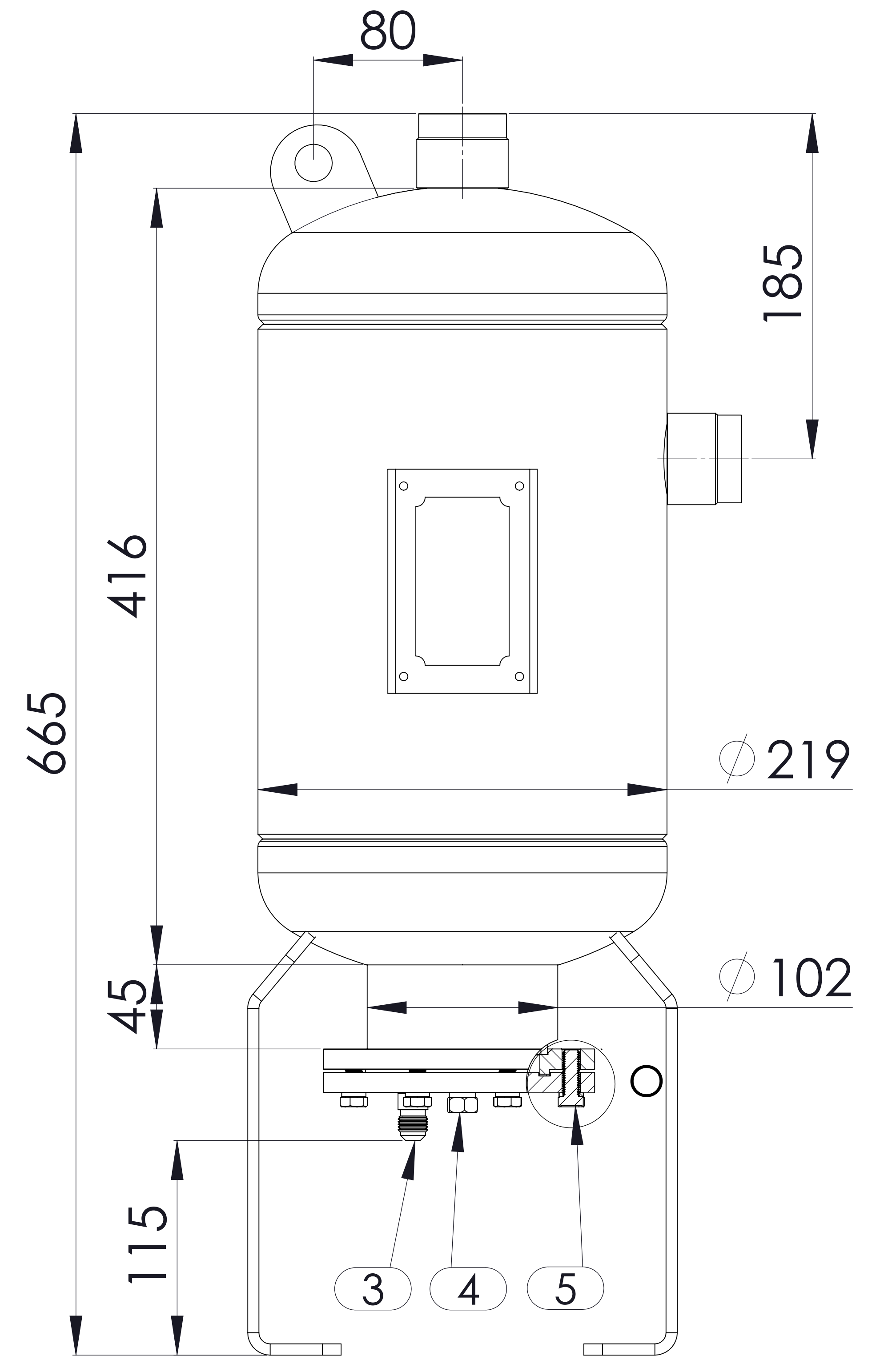
-Max. allowable operating pressure (PS) according to the temperature range;  
 1) Allowable operating temperature : min. -20C° / max. +130C° PS1 = 33 Bar  
 2) Allowable operating temperature : min. -40C° / max. -20C° PS2 = 24 Bar  
 -Unless otherwise specified dimensions in MM  
 -Unless otherwise specified do not scale  
 -Unless otherwise specified tube must be clean&free form burrs inside&outside&suitable for soldering  
 -Unless otherwise specified do not scale indicated thickness are min. after forming or machining  
 -Unless otherwise specified dimension tolerances according to EN 113445-4

**REVISIONS**

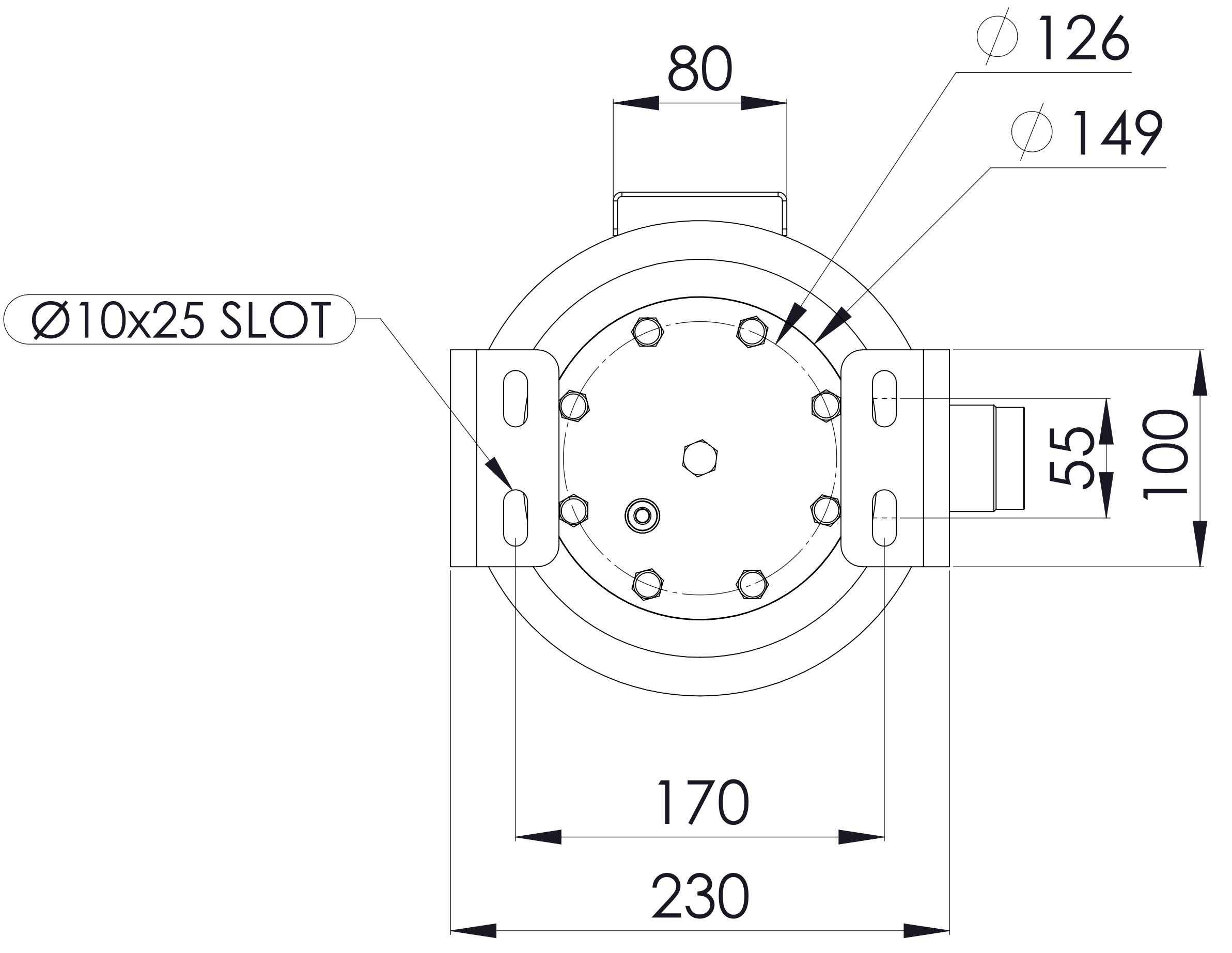
No	Details Of Change	Date	By
01			
02			
03			

**RELATED DRAWINGS**

No	Description	Drawing No
01		
02		



**FLOAT SYSTEM**



No	Assembly Codes	Qty
1	M005.000340	1
2	M010.000038	1

No	Connection	Model	Code	Material	Qty
15	Leg	230X100X50X6	105.003.SHF.001.002	S235JR	2
16	Label Plate	120x80x2	105.006.002.120.080	DD-13	1
17	Lifting	50x50x5	105.011.MP0.050.050	S235	1



We reserve all rights in this document and in the information contained therein. Reproduction use or disclosure to third parties without express authority is strictly forbidden.