

GVN STANDARD PRODUCT	Customer
HELICAL OIL SEPARATORS & FLANGE	Product
OS.HF.33b.54.1	Code
	Customer Code

DESIGN DATA	
Pre-charge / Capacity [Lt.]	0,7 / 6
Design Pressure [PS]	33 Bar
Pneumatic Test Pressure [PT]	36 Bar
Hydraulic Test Pressure	48 Bar
Design Temperature [TS]	Min.-20C / Max.+130C
Cooler Fluid Type	HFC-CFC-HCFC
Fluid Group	2
Category	CAT I / A
Desing Calculation	EN 14276-1/EN 13445-3
Welded Joint Efficiency	0.85
Material Group (Shell / Head)	1.2
Testing Group	3b
Corrasion Allowance	0,5 mm
Ndt	10%
Packaging Size & Weight	00*00*00 & 00 Kg.
Drawed By	M.ABDULAZİZ
Approved By	D.GÜL
Date	12.10.2022
Color	RAL 5009

MATERIAL DATA					
No	Connection	Model	Code	Material	Qty
1	Inlet Connection	ODS 2 1/8" H:50	106.033.B10.000.004	E275	1
2	Outlet Connection	ODS 2 1/8" H:40	106.033.B10.000.002	E275	1
3	Oil Return Connection	SAE 3/8" H:51,5	106.060.Y02.001.003	E275	1
4	Blind Plug	NPT 1/4"Plug	106.130.F02.001.001	S235	1
5	Washer	M8	109.080.000.000.R01		8
6	Bolt	M8x25	109.080.025.088.C01	8.8	4
7	Bolt	M8x30	109.080.030.088.C01	8.8	4
8	Shell	Ø140x3 H:360,00	204.OSH.F60.054.001	P355NH-EN10217-3	1
9	Head - Torispheric	Ø140x3 H:45	201.060.140.001.007	EN10028-2 P355GH	1
10	Head - Torispheric	Ø140x3 H:33	201.060.140.001.008	EN10028-2 P355GH	1
11	Shell	Ø102x3 H:120,00	204.KVN.060.102.001	P355NH-EN10217-3	1
12	Head	Ø107x2,5 H:24,5	201.030.102.001.001	P355GH-EN10028-2	1
13	Top Flange	Ø149	107.033.OSH.102.001	P355GH+N	1
14	Bottom Flange	Ø149	107.033.OSH.102.002	P355GH+N	1

GENERAL NOTES

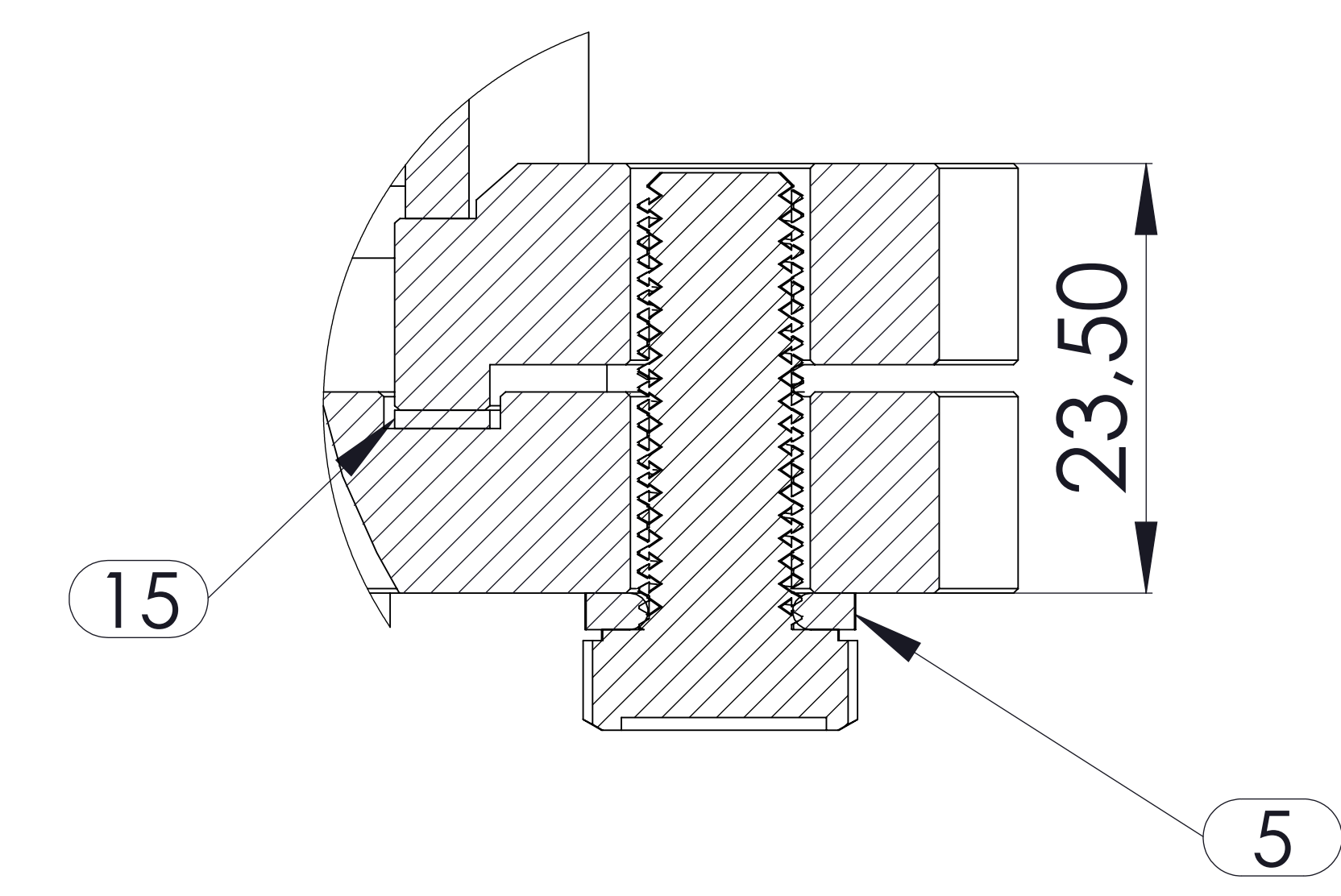
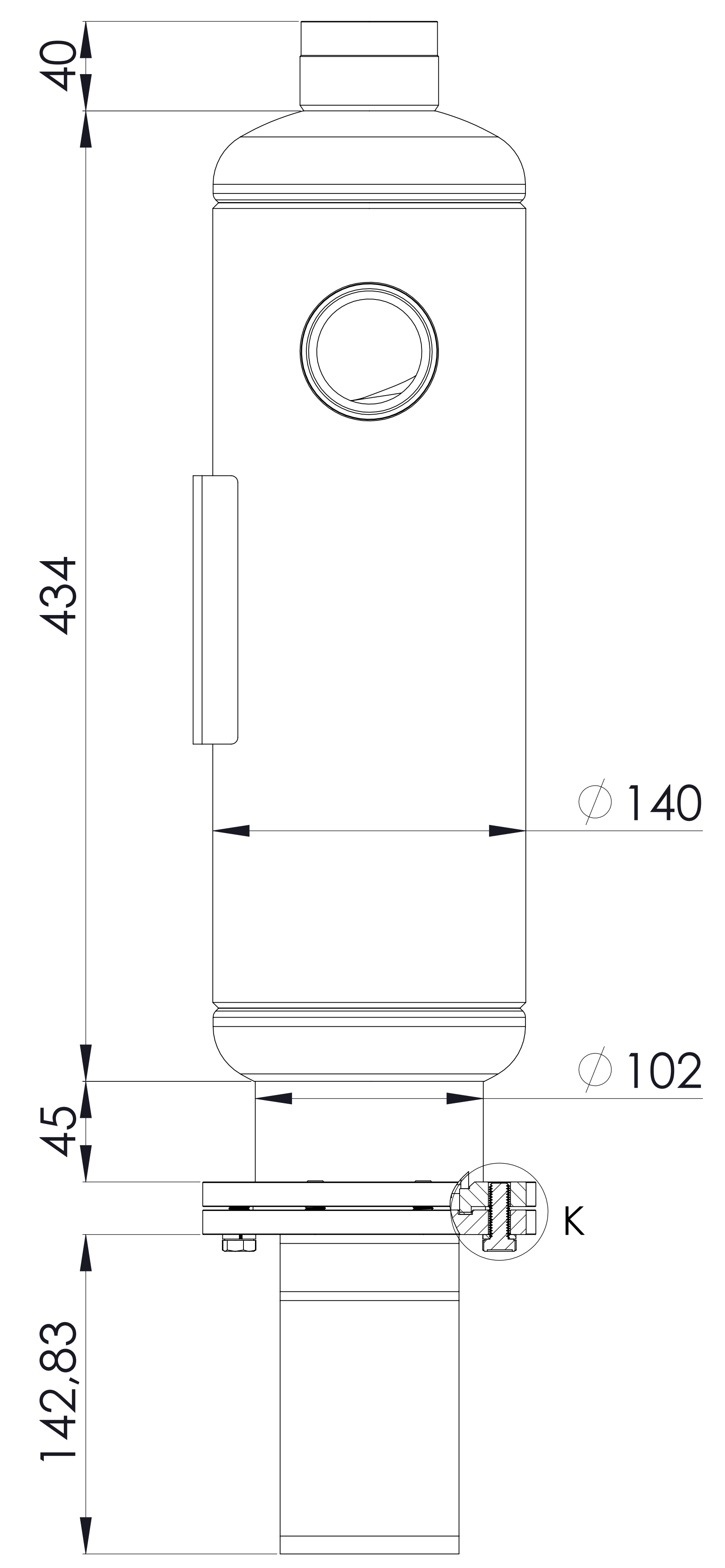
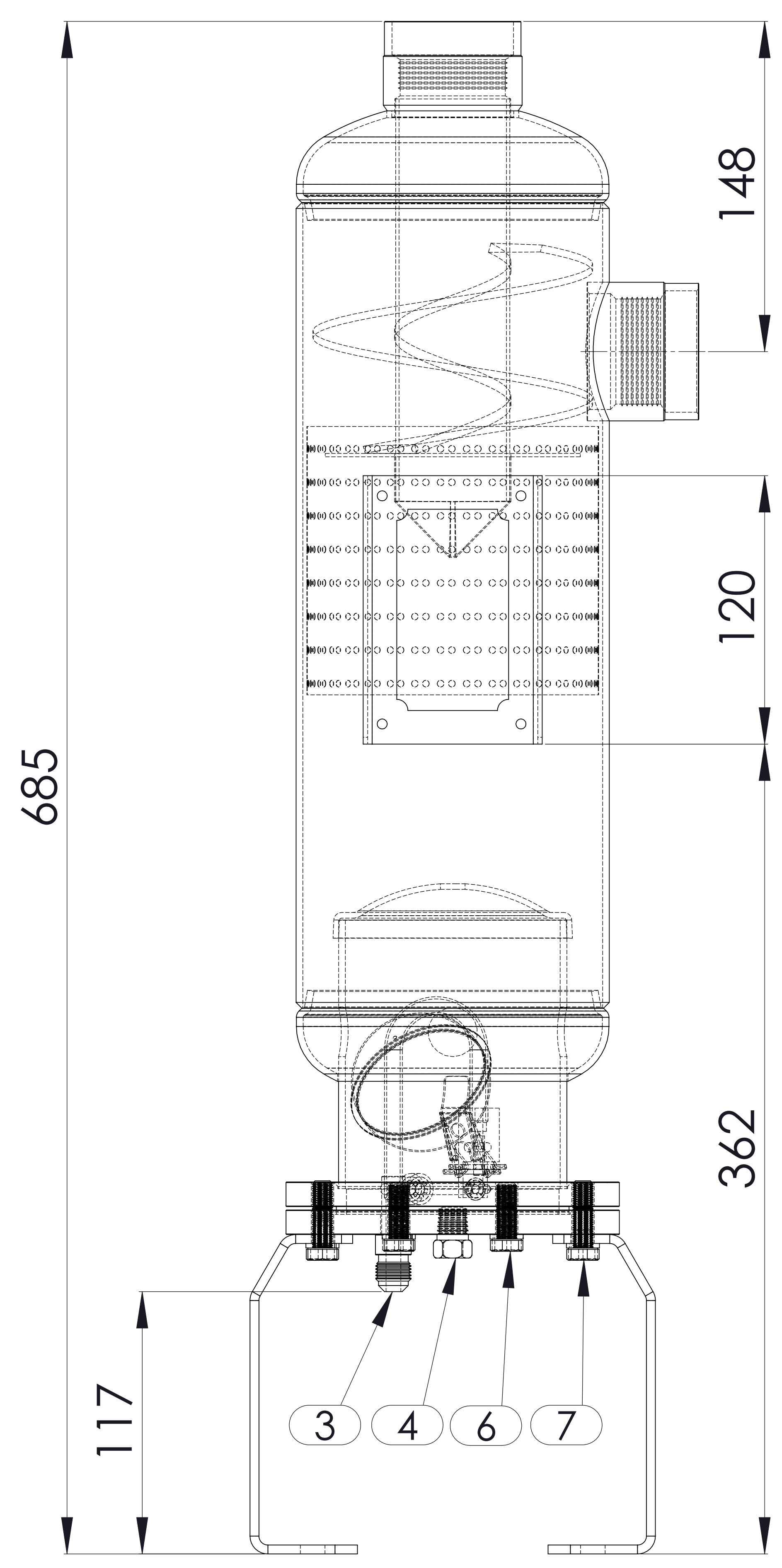
- Max. allowable operating pressure (PS) according to the temperature range;
- 1) Allowable operating temperature : min. -20C° / max. +130C° PS1 = 33 Bar
- 2) Allowable operating temperature : min. -40C° / max. -20C° PS2 = 24 Bar
- Unless otherwise specified dimensions in MM
- Unless otherwise specified do not scale
- Unless otherwise specified tube must be clean&free from burrs inside&outside&uitable for soldering
- Unless otherwise specified do not scale indicated thickness are min. after forming or machining
- Unless otherwise specified dimension tolerances according to EN 113445-4

REVISIONS			
No	Details Of Change	Date	By
01			
02			
03			

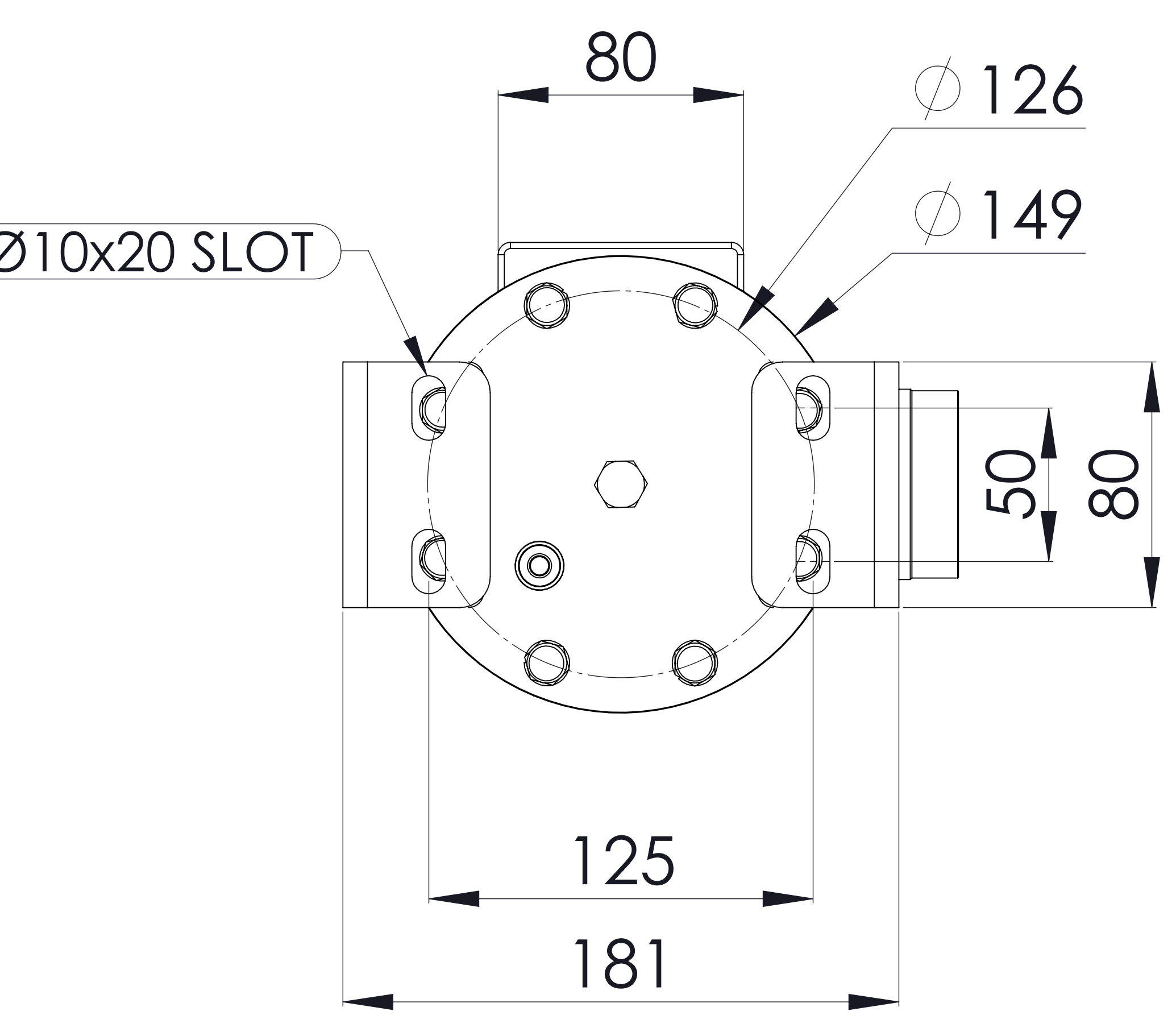
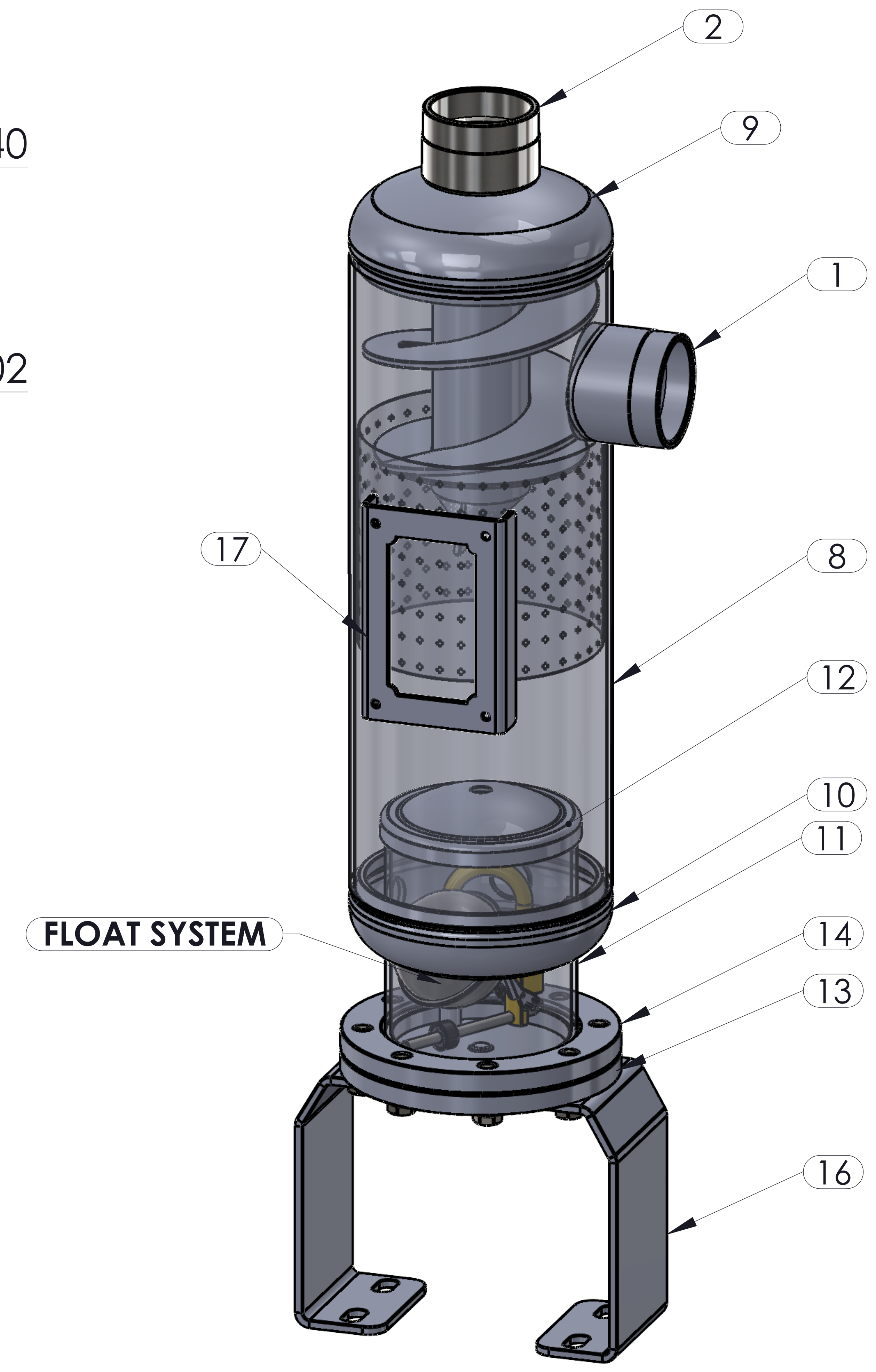
RELATED DRAWINGS		
No	Description	Drawing No
01		
02		



We reserve all rights in this document and in the information contained therein. Reproduction use or disclosure to third parties without express authority is strictly forbidden.



Detail: K
3 : 1



No	Assembly Codes	Qty
1	M005.000338	1
2	M010.000038	1

No	Connection	Model	Code	Material	Qty
15	Gasket	KLINGERIT	108.104.095.000.K01		1
16	Leg	143x80x48x4mm	105.003.SHF.001.001	S235JR	2
17	Label Plate	120x80x2	105.006.002.120.080	DD-13	1