

GVN STANDARD PRODUCT Customer

HELICAL OIL SEPARATORS & FLANGE Product

OS.HF.33b.80.1 Code

Customer Code

DESIGN DATA

Pre-charge / Capacity [Lt.]	0,7 / 43
Design Pressure [PS]	33 Bar
Pneumatic Test Pressure [PT]	36 Bar
Hydraulic Test Pressure	48 Bar
Design Temperature [TS]	Min.-20C / Max.+130C
Cooler Fluid Type	HFC-CFC-HCFC
Fluid Group	2
Category	CAT III / H
Desing Calculation	EN 14276-1/EN 13445-3
Welded Joint Efficiency	0.85
Material Group (Shell / Head)	1.2
Testing Group	3b
Corrasion Allowance	0,5 mm
Ndt	10%
Packaging Size & Weight	00*00*00 & 00 Kg.
Drawed By	M.ABDULAZİZ
Approved By	D.GÜL
Date	15.11.2022
Color	RAL 5009

MATERIAL DATA

No	Connection	Model	Code	Material	Qty
1	Inlet Connection	ODS 3 1/8" H:70	106.033.B14.000.003	E275	1
2	Outlet Connection	ODS 3 1/8" H:60	106.033.B14.000.006	E275	1
3	Oil Return Connection	SAE 3/8" H:51,5	106.060.Y02.001.003	E275	1
4	Blind Plug	NPT 1/4"Plug	106.130.F02.001.001	S235	1
5	Bolt	M8x25	109.080.025.088.C01	8.8	8
6	Washer	M8	109.080.000.000.R01		8
7	Shell	Ø324x4 H:404,50	204.OSH.F33.080.001	P355GH-EN10028-2	1
8	Head - Torispheric	Ø324x4 H:100	201.033.324.001.013	P355GH EN 10028-2	1
9	Head - Torispheric	Ø324x4 H:100	201.033.324.001.018	P355GH EN 10028-2	1
10	Shell	Ø102x3 H:120,00	204.KVN.060.102.001	P355NH-EN10217-3	1
11	Head	Ø107x2,5 H:24,5	201.030.102.001.001	P355GH-EN10028-2	1
12	Top Flange	Ø149	107.033.OSH.102.001	P355GH+N	1
13	Bottom Flange	Ø149	107.033.OSH.102.002	P355GH+N	1
14	Gasket	KLINGERIT	108.104.095.000.K01		1

GENERAL NOTES

-Max. allowable operating pressure (PS) according to the temperature range:
 1) Allowable operating temperature : min. -20C° / max. +130C° PS1 = 33 Bar
 2) Allowable operating temperature : min. -40C° / max. -20C° PS2 = 24 Bar
 -Unless otherwise specified dimensions in MM
 -Unless otherwise specified do not scale
 -Unless otherwise specified tube must be clean&free form burrs inside&outside&uitable for soldering
 -Unless otherwise specified do not scale indicated thickness are min. after forming or machining
 -Unless otherwise specified dimension tolerances according to EN 113445-4

REVISIONS

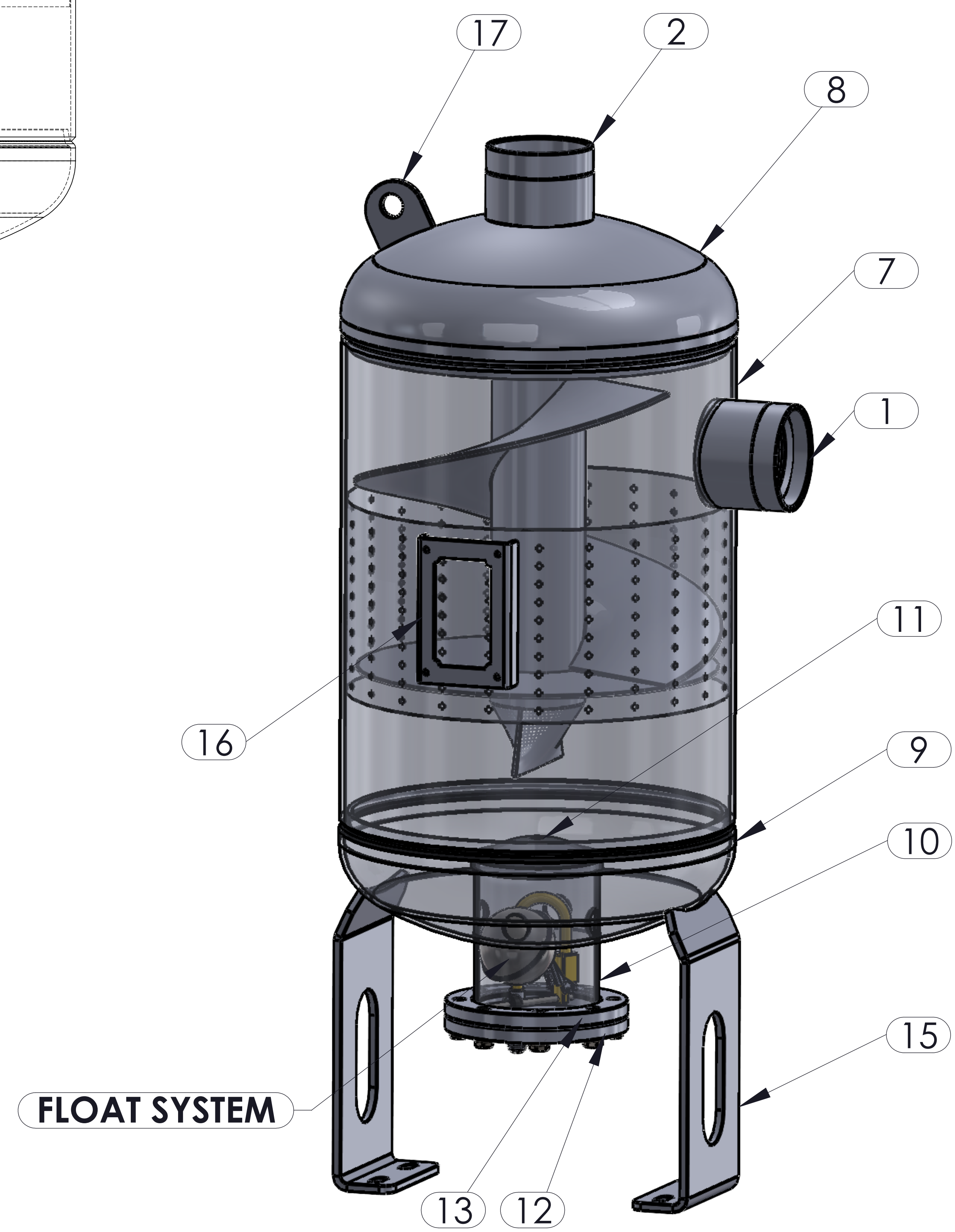
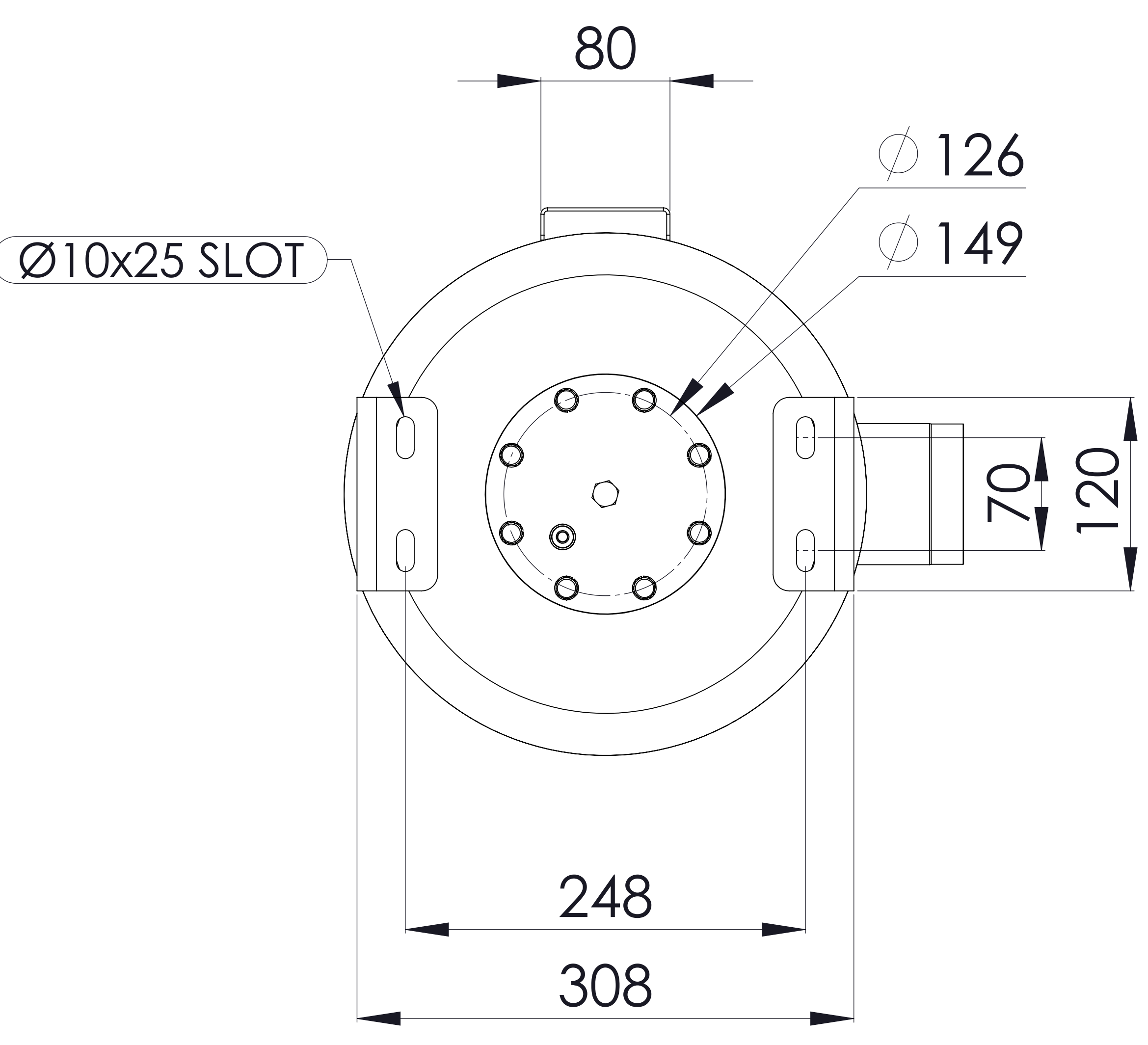
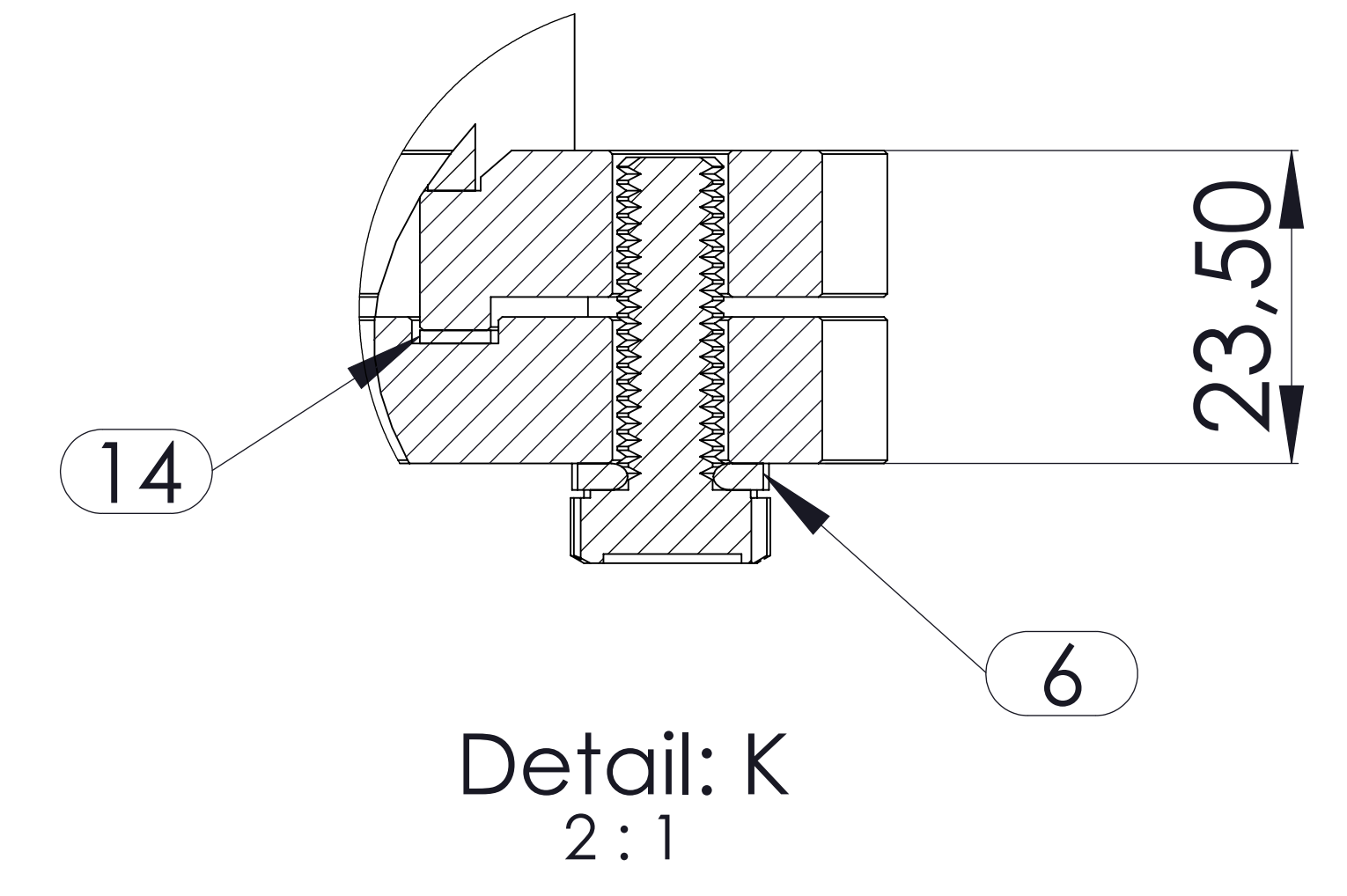
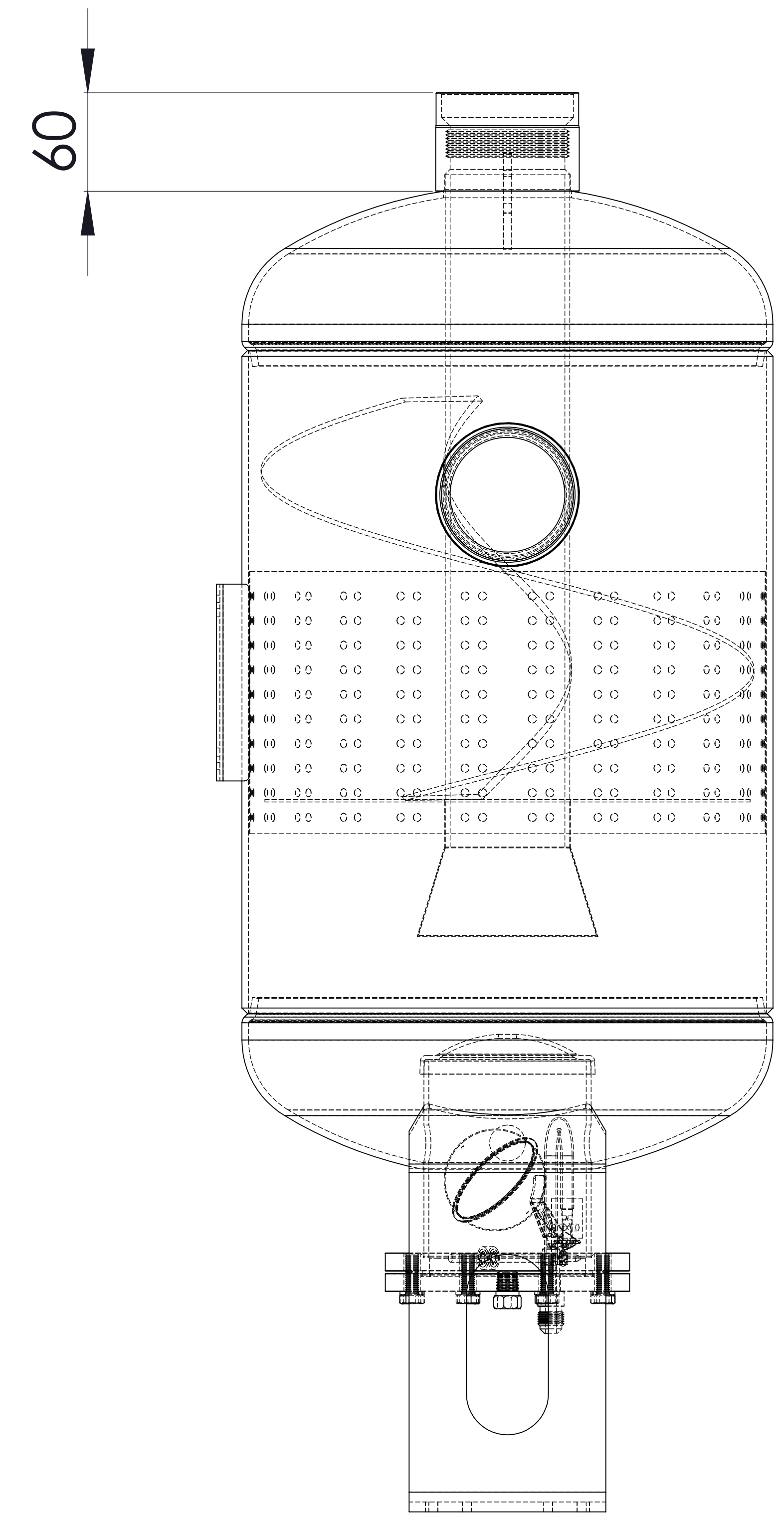
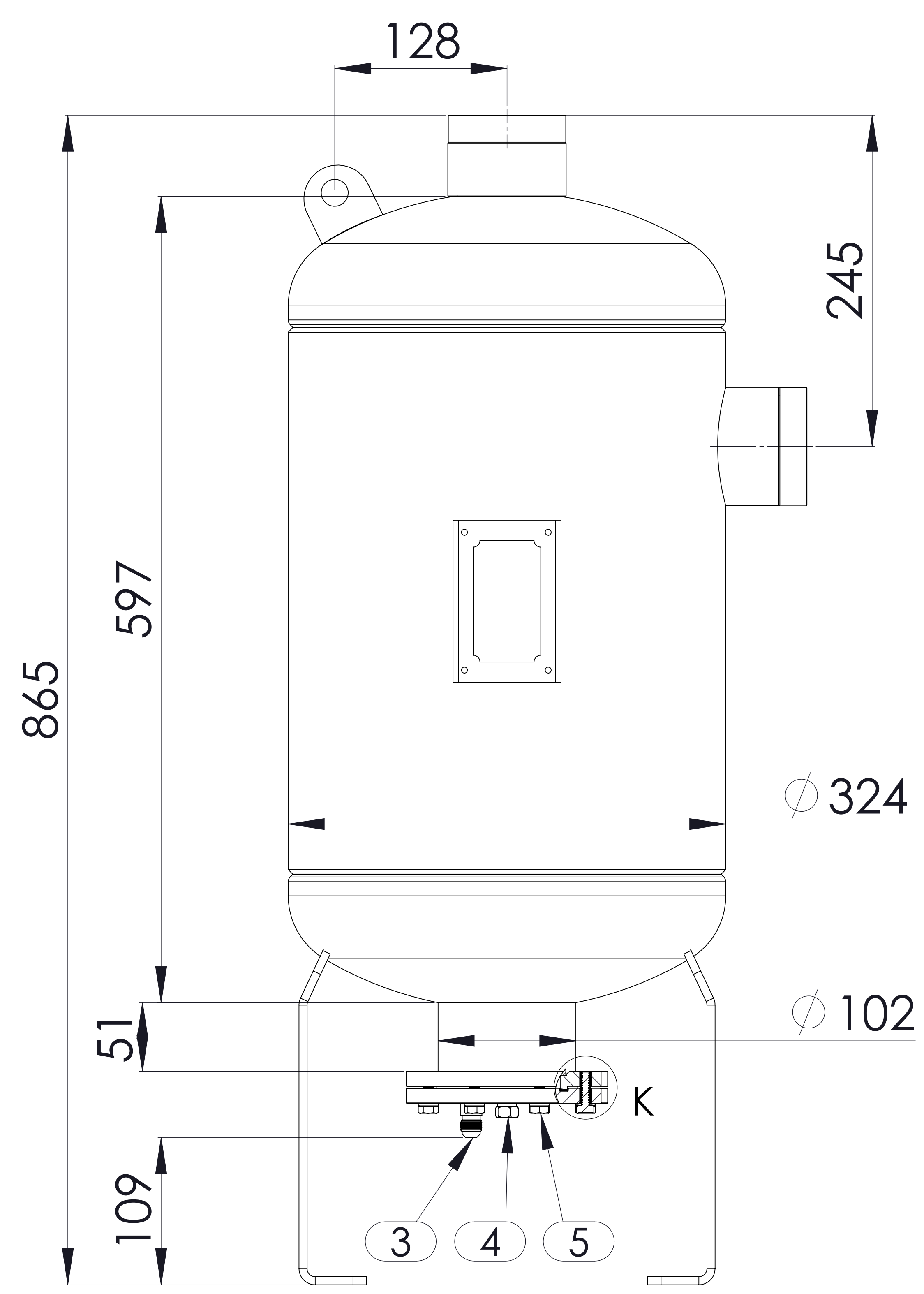
No	Details Of Change	Date	By
01			
02			
03			

RELATED DRAWINGS

No	Description	Drawing No
01		
02		



We reserve all rights in this document and in the information contained therein. Reproduction use or disclosure to third parties without express authority is strictly forbidden.



FLOAT SYSTEM

No	Assembly Codes	Qty
1	M005.000345	1
2	M010.000038	1

No	Connection	Model	Code	Material	Qty
15	Leg	250x120x50x6	105.003.SHF.001.003	S235JR	2
16	Label Plate	120x80x2	105.006.002.120.080	DD-13	1
17	Lifting	50x50x5	105.011.MPO.050.050	S235	1