

GVN STANDARD PRODUCT Customer

HELICAL OIL SEPARATORS & RESERVOIR Product

OS.HR.33b.80.1 Code

Customer Code

DESIGN DATA

Capacity [Lt.]	52 Lt. / 18,1 Lt.
Design Pressure [PS]	33 Bar
Pneumatic Test Pressure [PT]	36 Bar
Hydraulic Test Pressure	48 Bar
Design Temperature [TS]	Min.-20C / Max.+130C
Cooler Fluid Type	HFC-CFC-HCFC
Fluid Group	2
Category	CAT III / H
Desing Calculation	EN 14276-1/EN 13445-3
Welded Joint Efficiency	0.85
Material Group (Shell / Head)	1.2
Testing Group	3b
Corrasion Allowance	0,5 mm
Ndt	10%
Packaging Size & Weight	00*00*00 & 00 Kg.
Drawed By	M.ABDULAZİZ
Approved By	D.GÜL
Date	27.09.2022
Color	RAL 5009

MATERIAL DATA

No	Connection	Model	Code	Material	Qty
1	Inlet Connection	ODS 3 1/8" H:70	106.033.B14.000.003	E275	1
2	Outlet Connection	ODS 3 1/8" H:60	106.033.B14.000.006	E275	1
3	Outlet Valve	RV.45b-3/8s			1
4	Sight Glass Type Conn.	SG-SW38 H:27	106.05W.038.001.001	E275	2
5	Sight Glass	SW38	SW-38	E275	2
6	Oil Outlet Connection	ROT. 1" H:25	106.060.A02.001.001	E275-ST44	1
7	Level Sensor Conn.	NPT 1/2" H:18	106.060.F04.000.001	S235JR	1
8	Blind Plug	NPT 1/2" Plug	106.130.F04.001.001	E275	1
9	SHELL	Ø324x4 H:522	204.OSH.R33.080.001	P355NH-EN10217-3	1
10	Head - Torispheric	Ø323,9x4 H:100	101.033.324.001.000	P355GH EN 10028-2	1
11	Head - Torispheric	Ø324x4 H:100	201.033.324.001.013	P355GH EN 10028-2	1
12	Skirt With	Ø320x2,5 H:27	105.004.320.001.001	EN 10111 DD-13	1
13	Oil Return Pipe	Ø13x1	204.A13.010.001.150	EN 10297-1 E235	1
14	Label Plate	120x80x2	105.006.002.120.080	DD-13	1

GENERAL NOTES

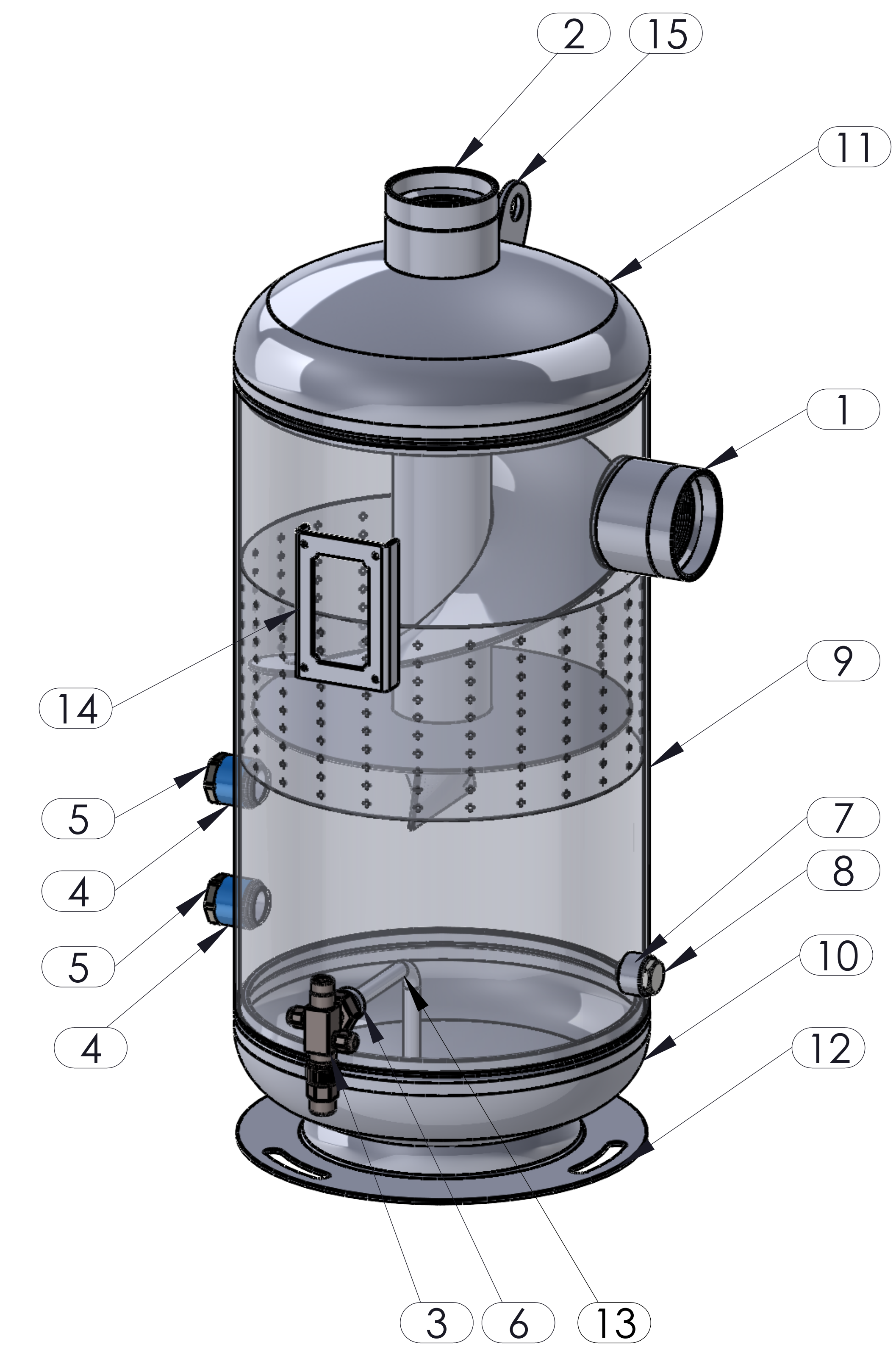
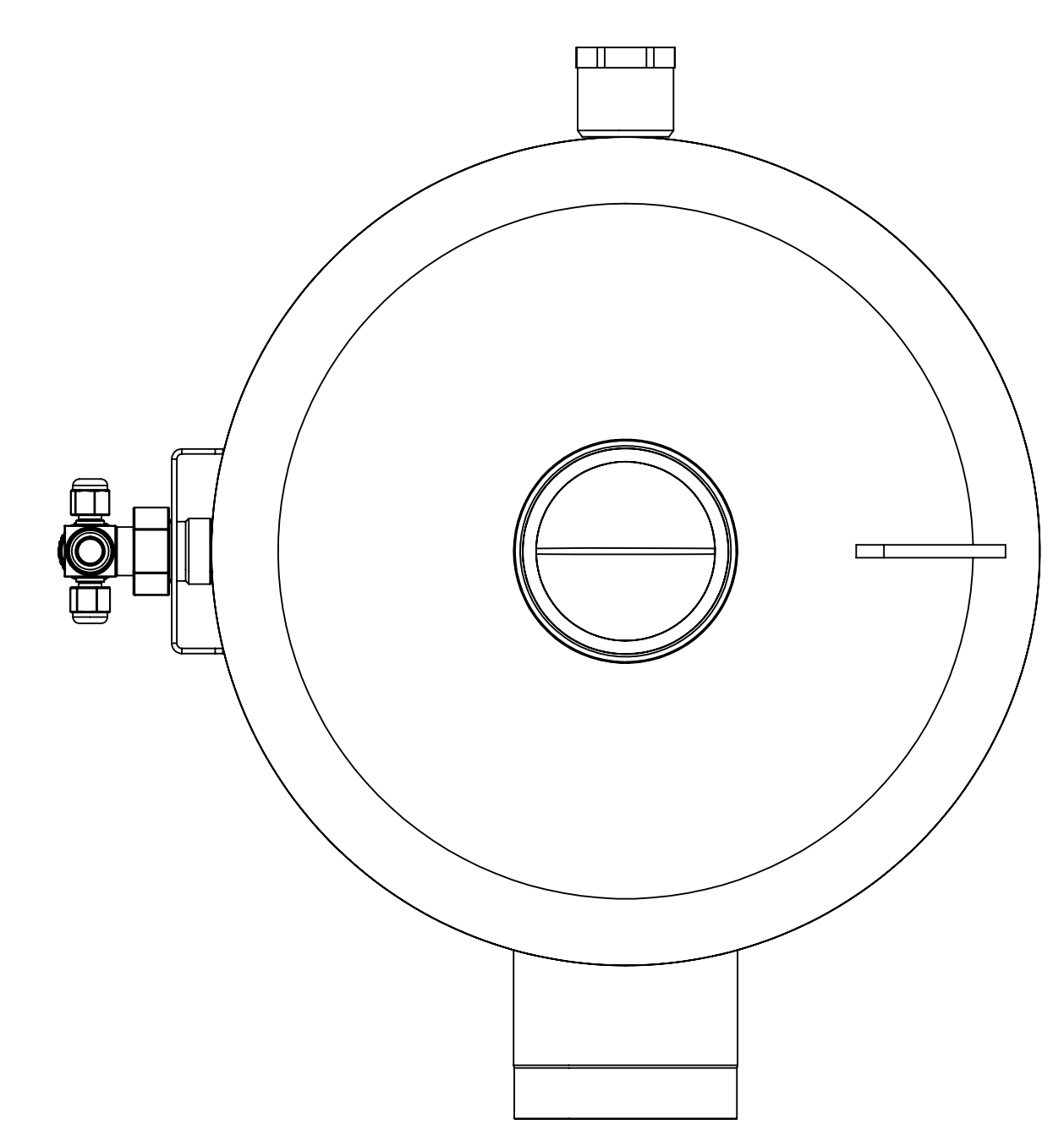
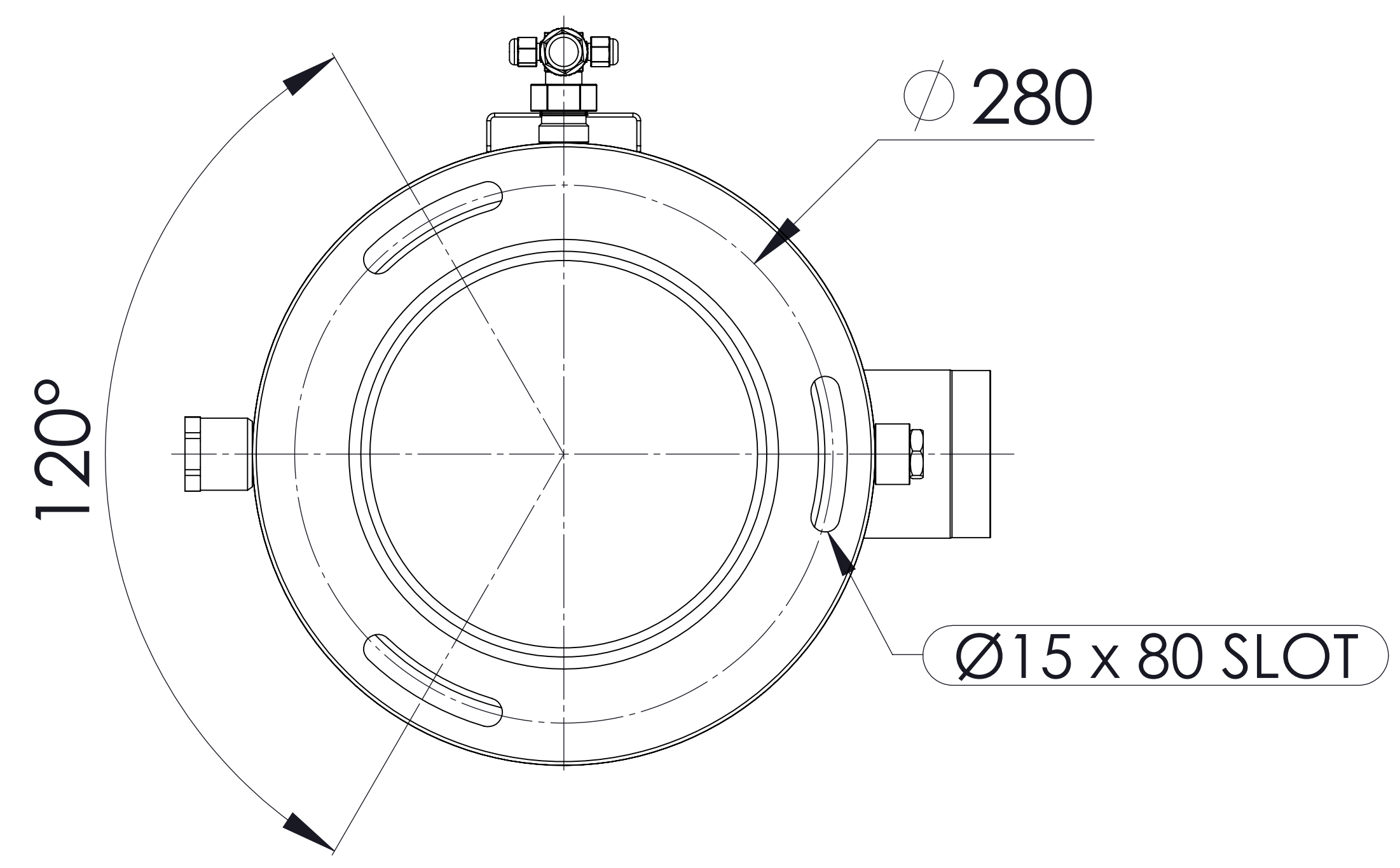
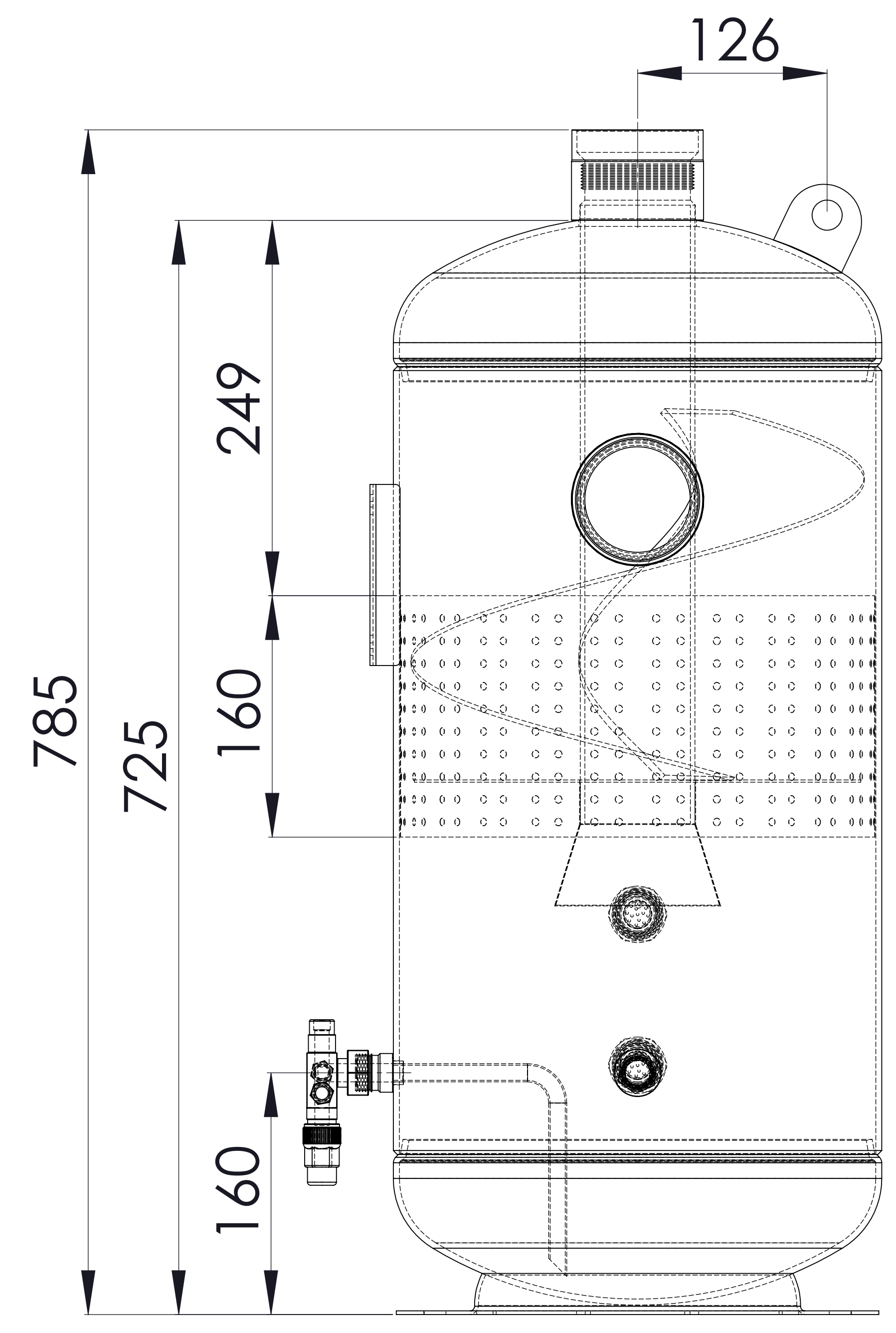
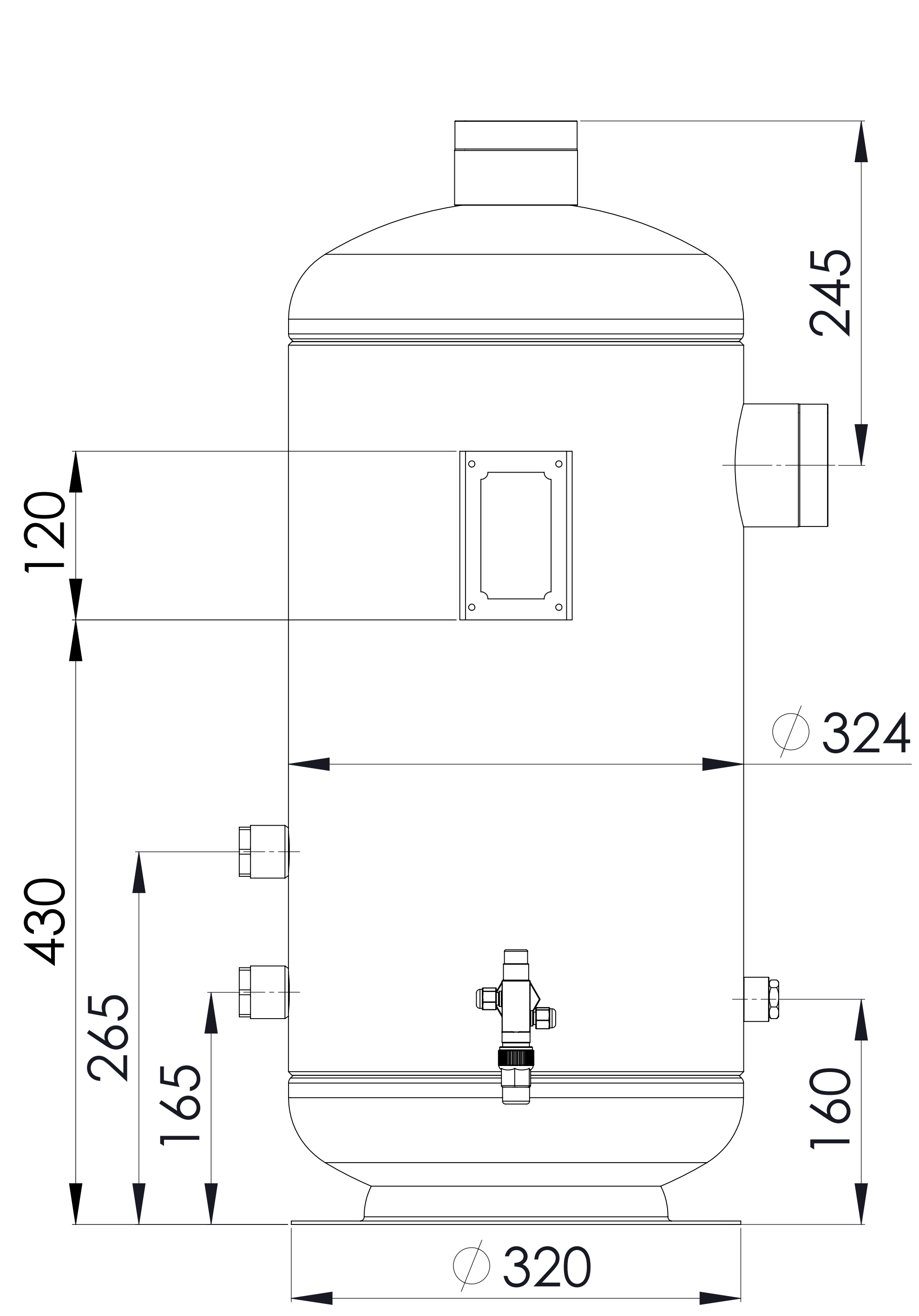
-Max. allowable operating pressure (PS) according to the temperature range;
 1) Allowable operating temperature : min. -20C° / max. +130C° PS1 = 33 Bar
 2) Allowable operating temperature : min. -20C° / max. -40C° PS2 = 24 Bar
 -Unless otherwise specified dimensions in MM
 -Unless otherwise specified do not scale
 -Unless otherwise specified tube must be clean&free form burrs inside&outside&uitable for soldering
 -Unless otherwise specified do not scale indicated thickness are min. after forming or machining
 -Unless otherwise specified dimension tolerances according to EN 113445-4

REVISIONS

No	Details Of Change	Date	By
01			
02			
03			

RELATED DRAWINGS

No	Description	Drawing No
01		
02		



Bottom View

Top View

No	Assembly Codes	Qty
1	M005.000330	1

No	Connection	Model	Code	Material	Qty
15	Lifting	50x50x5	105.011.MP0.050.050	S235	1



We reserve all rights in this document and in the information contained therein. Reproduction use or disclosure to third parties without express authority is strictly forbidden.