

GVN STANDARD PRODUCT	Customer
HELICAL OIL SEPARATORS & RESERVOIR	Product
OS.HR.45b.35.1	Code
	Customer Code

DESIGN DATA	
Capacity [Lt.]	12,2 Lt. / 6,1Lt.
Design Pressure [PS]	45 Bar
Pneumatic Test Pressure [PT]	50 Bar
Hydraulic Test Pressure	65 Bar
Design Temperature [TS]	Min.-20C / Max.+130C
Cooler Fluid Type	HFC-CFC-HCFC
Fluid Group	2
Category	CAT II / D1
Desing Calculation	EN 14276-1/EN 13445-3
Welded Joint Efficiency	0.85
Material Group (Shell / Head)	1.2
Testing Group	3b
Corrasion Allowance	0,5 mm
Ndt	10%
Packaging Size & Weight	00*00*00 & 00 Kg.
Drawed By	M.ABDULAZİZ
Approved By	D.GÜL
Date	26.09.2022
Color	RAL 5009

MATERIAL DATA					
No	Connection	Model	PARÇA NUMARASI	Material	Qty
1	Inlet Connection	ODS 1 3/8" H:40	106.060.B08.000.001	E275	1
2	Outlet Connection	ODS 1 3/8" H:40	106.060.B08.000.002	E275	1
3	Sight Glass Type Conn.	SG-SW38 H:27	106.OSW.038.001.001	E275	2
4	Sight Glass	SW38	SW-38	E275	2
5	Oil Outlet Connection	ROT. 1" H:25	106.060.A02.001.001	E275-S144	1
6	Outlet Valve	RV.45b-3/8s	RV.45B.3/8.S		1
7	Level Sensor Conn.	NPT 1/2" H:18	106.060.F04.000.001	S235JR	1
8	Blind Plug	NPT 1/2"Plug	106.130.F04.001.001	E275	1
9	SHELL	Ø168x3 H:520	204.OSH.R45.035.001	P355NH EN10217-3	1
10	Head - Torispheric	Ø168x3 H:50	101.045.168.001.000	EN10028-2 P355GH	1
11	Head - Torispheric	Ø168x3 H:50	201.045.168.001.003	EN10028-2 P355GH	1
12	Pipe	Ø13x1	204.A13.010.000.150	EN10297-1 E235	1
13	Skirt With	Ø187x18,50 t:2,50	105.004.187.001.001	EN 10111 DD-13	1
14	Label Plate	120x80x2	105.006.002.120.080	DD-13	1

**GENERAL NOTES**

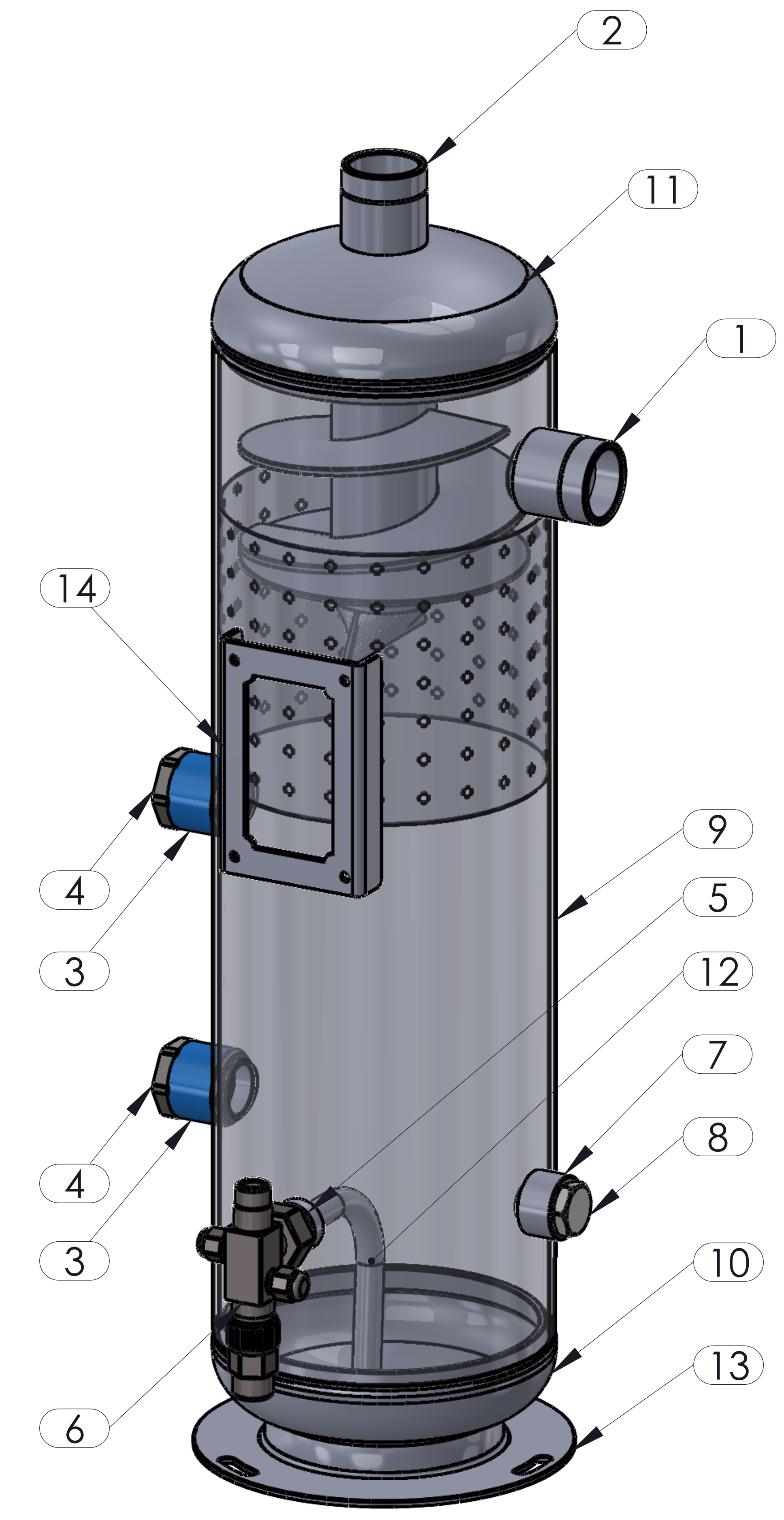
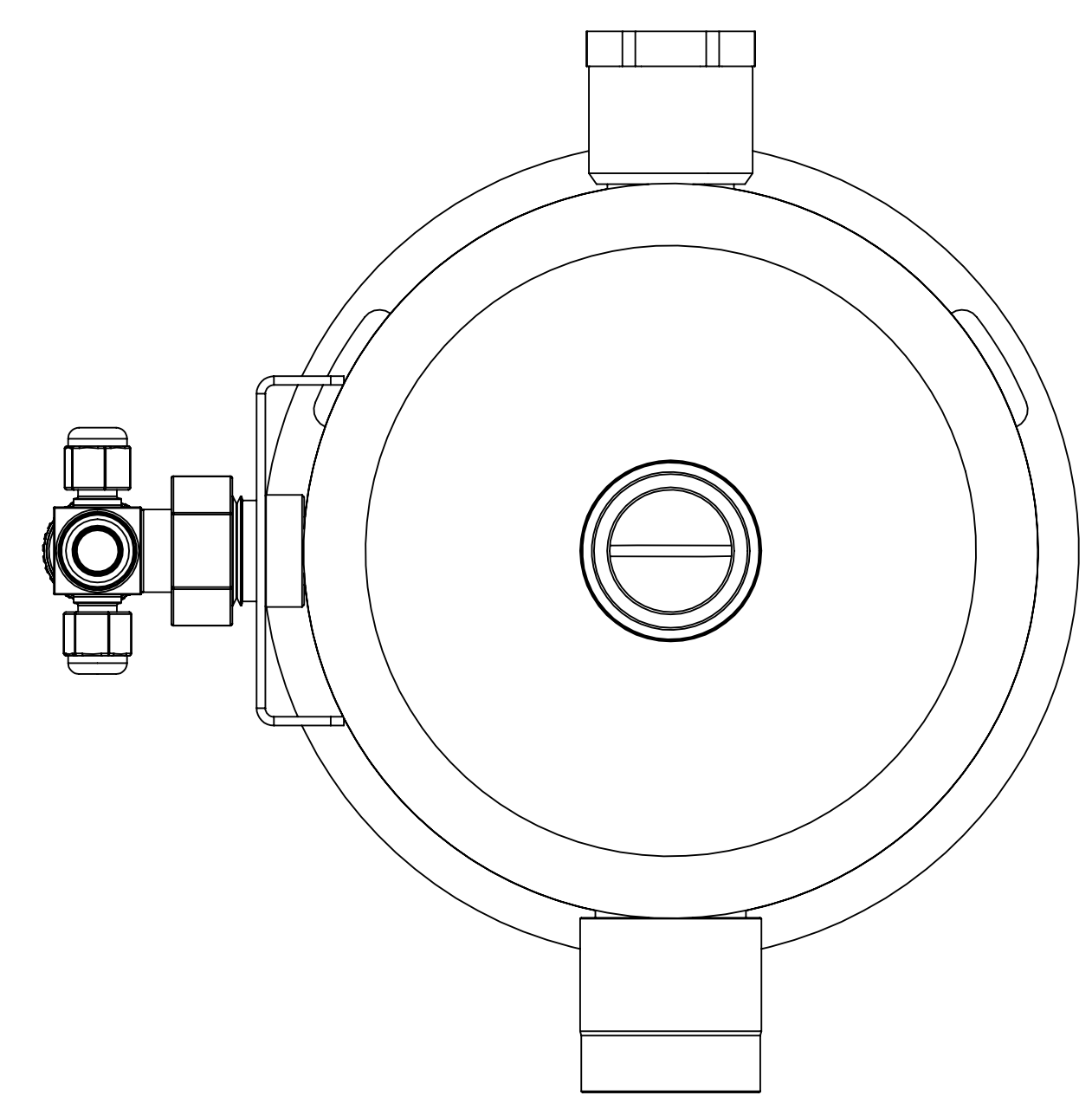
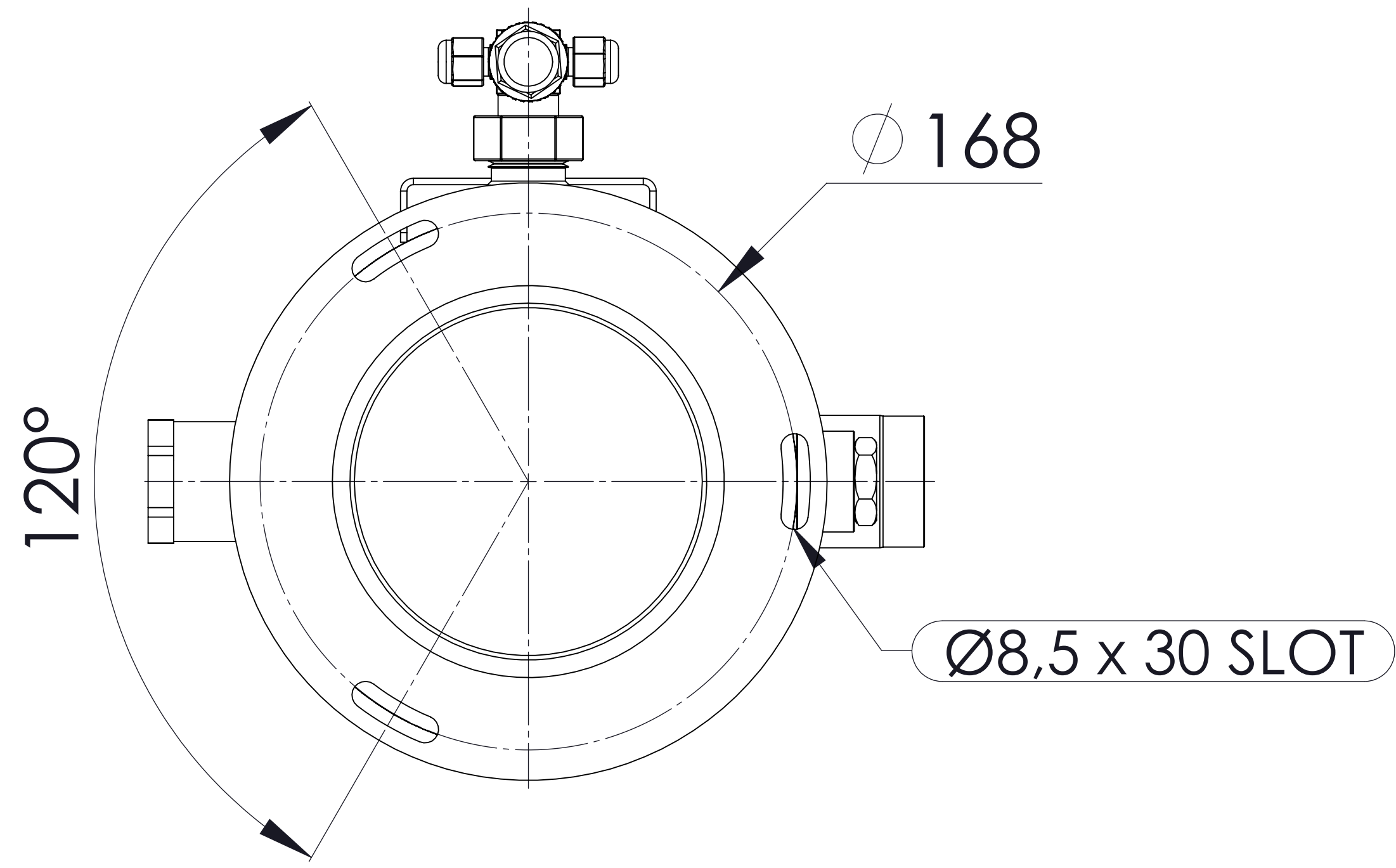
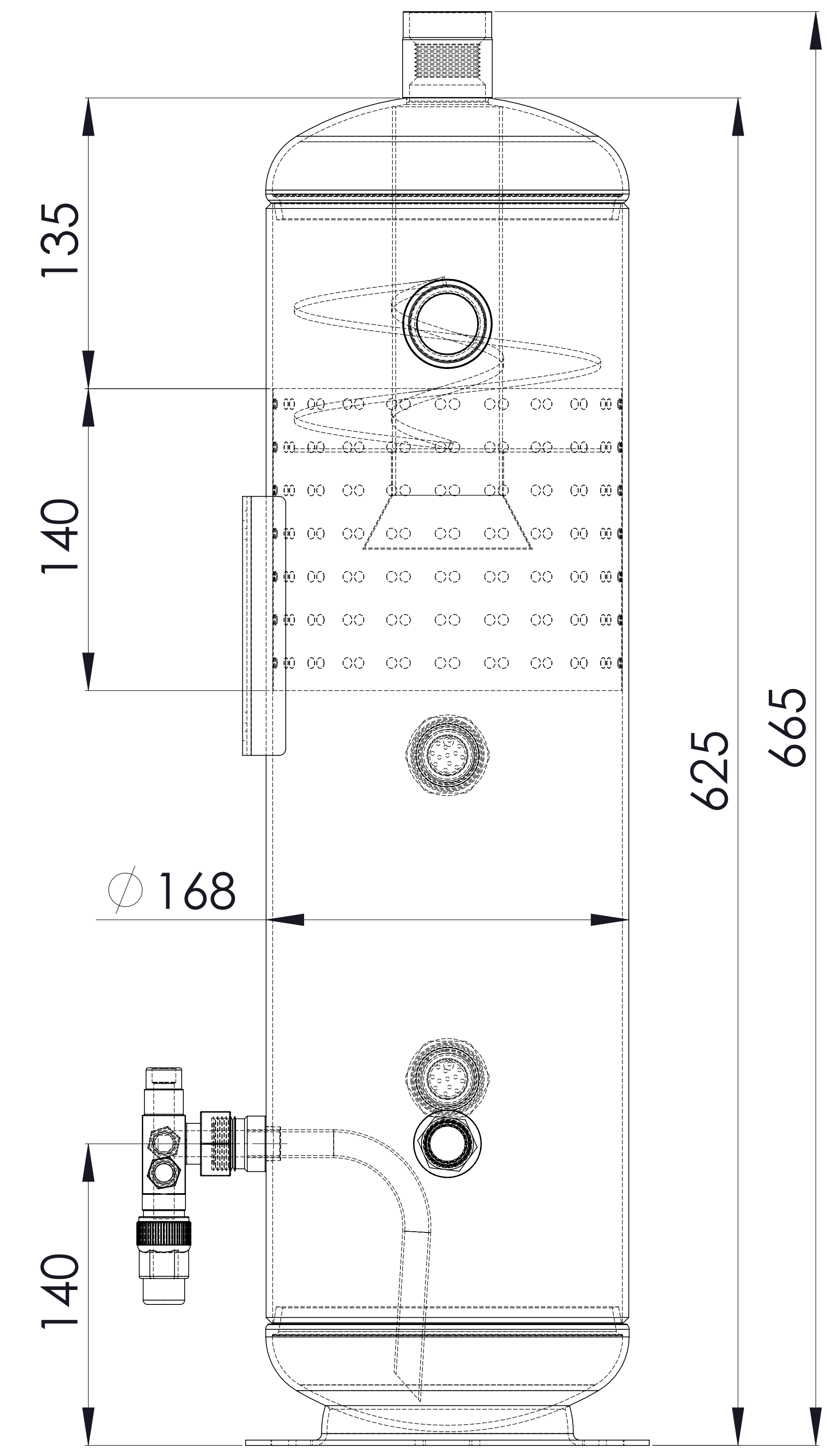
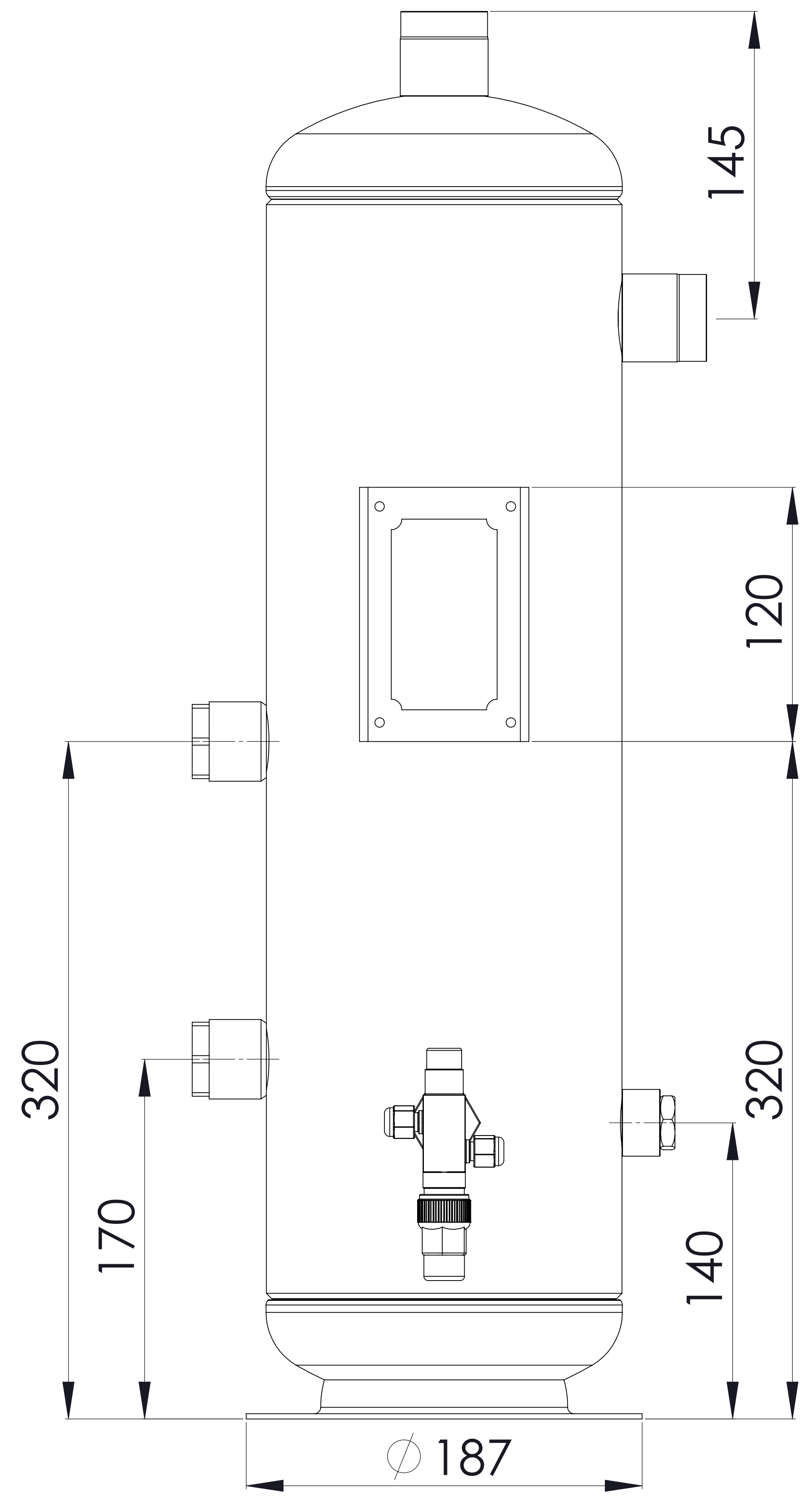
- Max. allowable operating pressure (PS) according to the temperature range:
- 1) Allowable operating temperature : min. -20C° / max. +130C° PS1 = 45 Bar
- 2) Allowable operating temperature : min. -20C° / max. -40C° PS2 = 33 Bar
- Unless otherwise specified dimensions in MM
- Unless otherwise specified do not scale
- Unless otherwise specified tube must be clean&free from burrs inside&outside&suitable for soldering
- Unless otherwise specified do not scale indicated thickness are min. after forming or machining
- Unless otherwise specified dimension tolerances according to EN 113445-4

REVISIONS			
No	Details Of Change	Date	By
01			
02			
03			

RELATED DRAWINGS		
No	Description	Drawing No
01		
02		



We reserve all rights in this document and in the information contained therein. Reproduction use or disclosure to third parties without express authority is strictly forbidden.



**Bottom View**

**Top View**

No	Assembly Codes	Qty
1	M005.000325	1