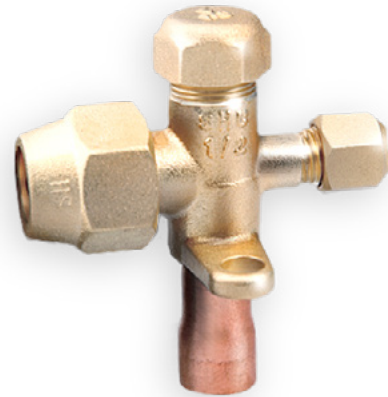


SSV SERIES**BRASS SERVICE VALVE**

Brass service valves of series SSV are applicable for split air conditioners to connect indoor unit and outdoor unit. It can also be used in other cooling or refrigeration systems. The inner path of the valve can be closed by operating the valve stem. The 3way version (with charge port) can be used as service valve for vacuum pumping and refrigerant injection.

**FEATURES**

- AVAILABLE WITHOUT AND WITH CHARGE PORT
- COST EFFICIENT SOLUTION
- RELIABLE AND ROBUST DESIGN

GENERAL SPECIFICATIONS

- Applicable for all common HFC and HFO refrigerants¹⁾ such as: R134a, R404A, R407C, R410A, R507A, R407A, R407F, R448A, R449A, R452A, R450A, R513A, R290, R1234ze(E), R1234yf, R32, R452B, R454B, R454C
- Ambient temperature min./max.: -30°C / +55°C
- Medium temperature TS min./max.: -30 °C / +120°C
- Max. operating pressure PS: 4,9 MPa (49 bar)
- Installation position: Preferably liquid and suction line
- Certifications: PED declaration

Note: 1) For cooling capacities please refer to Sanhua selection tool

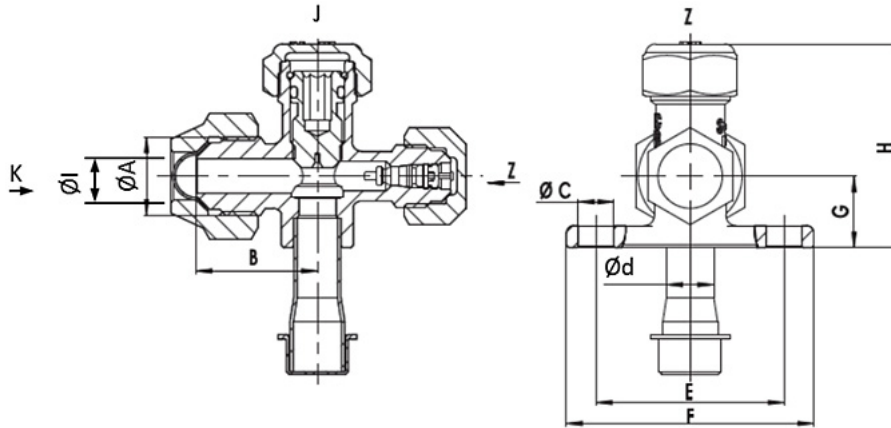
GENERAL CHARACTERISTICS

| Model | Part Number ¹⁾ | Connections | | | | Cooling capacity [kW] | PED Category |
|----------------|---------------------------|--------------|-----------|------------|----------------------------|----------------------------|--------------|
| | | ØA Flare | Ød ODF | ØI Pipe | Charge Port Flare (SAE) | | |
| | | [inch] | [inch] | [mm] | [inch] | | |
| SSV-A2GSHC-23 | 10165068702 | 7/16-20UNF | 1/4 | 4,8 | - | 0,7 - 1,5 | 4.3 |
| SSV-JA3GSHC-20 | 10165068602 | 5/8-18UNF | 3/8 | 7 | 5/16 | 0,7 - 3,7 | 4.3 |
| SSV-JA4GSHC-19 | 10165070602 | 3/4-16UNF | 1/2 | 10 | 5/16 | 1,1 - 7,5 | 4.3 |
| SSV-JA5GSHC-15 | 10165068802 | 7/8-14UNF | 5/8 | 12,5 | 5/16 | 1,5 - 8,8 | 4.3 |
| SSV-JA6GSHC-13 | 10165070302 | 1 1/16-14UNS | 3/4 | 16 | 5/16 | 3,7 - 5,9 | 4.3 |
| SSV-JA3GSHC-44 | 10165366802 | 5/8-18UNF | 3/8 | 7 | 1/4 | 0,7 - 3,7 | 4.3 |
| SSV-JA4GSHC-44 | 10165366902 | 3/4-16UNF | 1/2 | 10 | 1/4 | 1,1 - 7,5 | 4.3 |
| SSV-JA5GSHC-32 | 10165367002 | 7/8-14UNF | 5/8 | 12,5 | 1/4 | 1,5 - 8,8 | 4.3 |
| SSV-JA6GSHC-25 | 10165375502 | 1 1/16-14UNS | 3/4 | 16 | 1/4 | 3,7 - 5,9 | 4.3 |

Note: 1) Extent of delivery:
 - SSV-JA valve body with schrader valve, cap charge port, cap shut-off valve, nut pipe connection
 - SSV-A valve body, cap shut-off valve, nut pipe connection, without charge port



DIMENSIONS



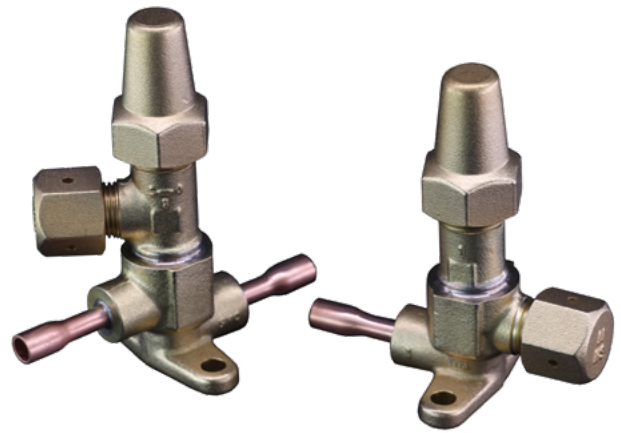
| Model | Part Number | Dimensions [mm] | | | | | | Wrench Size [mm] | | | |
|-----------------|-------------|-------------------|-----|----|----|----|----|-----------------------|----------------------|-----------------------------|-------------------|
| | | B | ØC | E | F | G | H | Nut Pipe Connection K | Cap Shut-off Valve J | Valve ¹⁾ Steam J | Cap Charge Port Z |
| SSV-A2GSHC-23 | 10165068702 | 23,5 | 7,2 | 38 | 50 | 14 | 36 | 17 | 19 | 5 | - |
| SSV-JA3GSHC-20 | 10165068602 | 25 | 7,2 | 38 | 50 | 14 | 41 | 22 | 19 | 5 | 17 |
| SSV-JA4GSHC-19 | 10165070602 | 32 | 7,2 | 38 | 50 | 16 | 44 | 24 | 22 | 5 | 17 |
| SSV-JA5GSHC-15 | 10165068802 | 35 | 7,2 | 38 | 54 | 18 | 50 | 27 | 26 | 5 | 17 |
| SSV-JA6-GSHC-13 | 10165070302 | 48,5 | 8 | 44 | 60 | 25 | 64 | 32 | 30 | 5 | 17 |
| SSV-JA3GSHC-44 | 10165366802 | 25 | 7,2 | 38 | 50 | 14 | 41 | 22 | 19 | 5 | 14 |
| SSV-JA4GSHC-44 | 10165366902 | 32 | 7,2 | 38 | 50 | 16 | 44 | 24 | 22 | 5 | 14 |
| SSV-JA5GSHC-32 | 10165367002 | 35 | 7,2 | 38 | 54 | 18 | 50 | 27 | 26 | 5 | 14 |
| SSV-JA6GSHC-25 | 10165375502 | 48,5 | 8 | 44 | 60 | 25 | 64 | 32 | 30 | 5 | 14 |

Note: 1) Allen screw

CSV SERIES

SERVICE VALVES

Brass service valves of CSV series are applicable for R744 systems. The inner path of the valve can be closed by operating the valve stem. The units can be used as service valve for vacuum pumping and refrigerant injection.



FEATURES

- COST EFFICIENT SOLUTION
- RELIABLE AND ROBUST DESIGN
- EASY OPERATION

GENERAL SPECIFICATIONS

- Applicable for R744
- Max. operating pressure PS:12MPa (120 bar)
- Ambient temperature min./max.: -30°C / +60°C
- Medium temperature TS min./max.: -45 °C / +125°C
- Installation position: Preferably liquid and suction line
- Certifications: PED declaration (all the models are in Art.4.3 according to PED Directive 2014/68/EU)

GENERAL CHARACTERISTICS

| Model | Part Number ¹⁾ | Connections | | | | Kv [m ³ /h] |
|--------------|---------------------------|------------------------|-------------|------------------------|-------------|---------------------------|
| | | Port "A" ²⁾ | | Port "B" ³⁾ | | |
| | | Type | Size [inch] | Type | Size [inch] | |
| CSV-Z22ST-11 | 10165413301 | - | - | Solder - ODF | 1/4" | - |
| CSV-Z22ST-13 | 10165413401 | Solder - ODF | 1/4" | Solder - ODF | 1/4" | 0.33 |
| CSV-Z33ST-10 | 10165413201 | Solder - ODF | 3/8" | Solder - ODF | 3/8" | 0.95 |
| CSV-Z44ST-9 | 10165413101 | Solder - ODF | 1/2" | Solder - ODF | 1/2" | 1.40 |

Note: 1) Extent of delivery: valve body with charge port & pipe connection(s), dust cap for shut-off port, caps for charge port and pipe connection

2) Port "A" for model CSV-Z22ST-11 is charge connection (Fig.1)

3) Port "B" for model CSV-Z22ST-11 is the connection to system (Fig.1)



DIMENSIONS

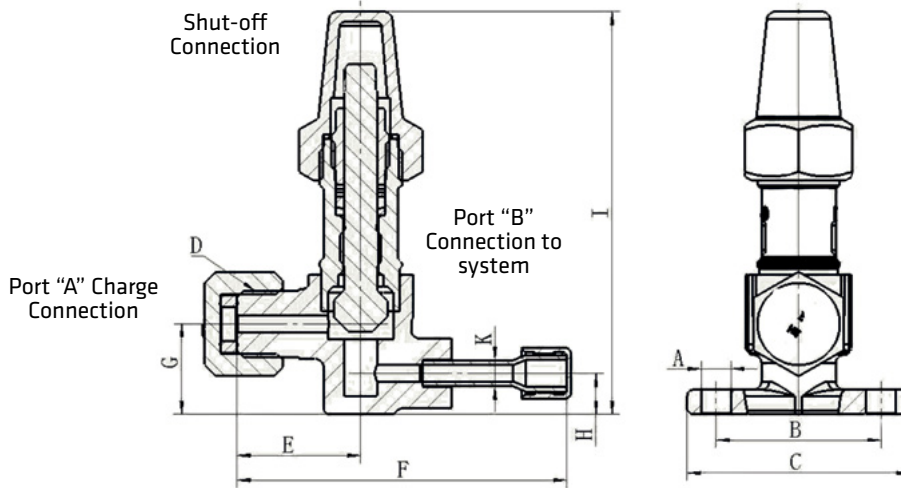


Fig.1 Model: CSV-Z22ST-11

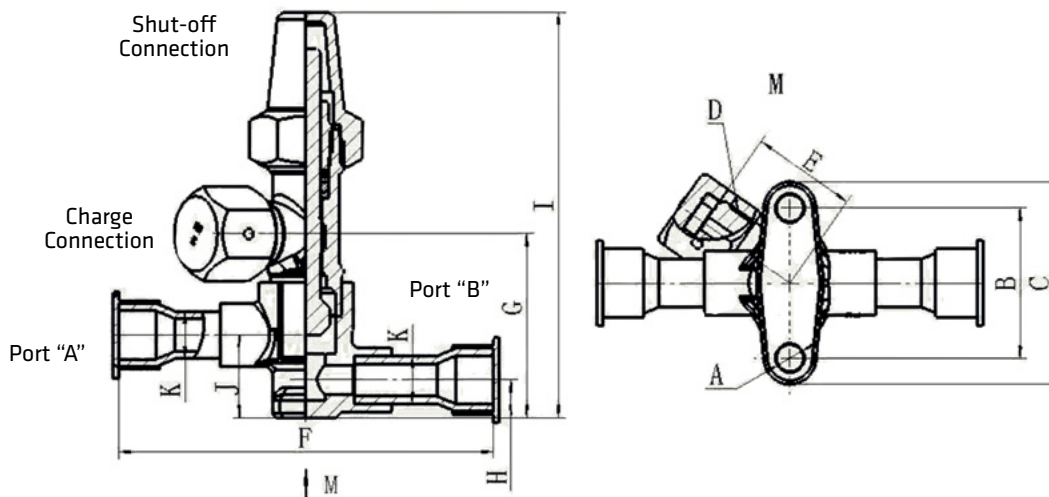


Fig.2 Models: CSV-Z22ST-13, CSV-Z33ST-10 & CSV-Z44ST-9

| Model | Charge Connection | | Shut-off Connection | | | Dimensions [mm] | | | | | | | |
|--------------|-------------------|-----------------|---------------------|-----------------|------------------|-----------------|----|----|----|-----|----|-----|----|
| | Size [inch] | Cap wrench Size | Size [inch] | Cap wrench Size | Stem Size Ø [mm] | ØA | B | C | E | F | H | I | J |
| CSV-Z22ST-11 | M16 | H22 | M20 | H26 | 6.35 | 7.2 | 40 | 50 | 28 | 80 | 10 | 98 | - |
| CSV-Z22ST-13 | M16 | H22 | M21 | H26 | 6.35 | 7.2 | 40 | 50 | 28 | 100 | 10 | 108 | 22 |
| CSV-Z33ST-10 | M16 | H22 | M22 | H26 | 6.35 | 7.2 | 40 | 50 | 28 | 100 | 10 | 108 | 22 |
| CSV-Z44ST-9 | M16 | H22 | M23 | H26 | 6.35 | 7.2 | 40 | 50 | 28 | 100 | 10 | 108 | 22 |