

**GÜVEN SOĞUTMA
ÜNİTELERİ SAN. VE TİC. A.Ş.**

Add: Hastane Mah. Hadimköy İstanbul Cd. No:78/1
34555, Arnavutköy, İstanbul, TURKEY
Tel: +90 212 771 51 12 - 771 51 13
Fax: +90 212 771 51 10
www.gvn.com.tr



GVN STANDART PRODUCT

Customer

SUCTION LINE ACCUMULATORS

Product

SLA.A.33b.105.60.F4

Code

Customer Code

DESIGN DATA

Capacity [Lt.]	60 Lt.
Design Pressure [PS]	33 Bar
Pneumatic Test Pressure [PT]	36 Bar
Hydraulic Test Pressure	48 Bar
Design Temperature [TS]	Min.-20C / Max.+130C
Cooler Fluid Type	HFC-CFC-HCFC
Fluid Group	2
Category	CAT III / H
Desing Calculation	EN 14276-1/EN 13445-3
Welded Joint Efficiency	0.85
Material Group (Shell / Head)	1.2
Testing Group	3b
Corrasion Allowance	0,5 mm
Ndt	10%
Packaging Size & Weight	00*00*00 & 00 Kg.
Drawed By	Ö.TÜRKER
Approved By	D.GÜL
Date	14.11.2022
Color	RAL 5009

MATERIAL DATA

No	Connection	Model	Code	Material	Qty
1	Inlet Connection	ODS 4 1/8" H:80	106.033.B17.000.004	ST44-E275	1
2	Outlet Connection	ODS 4 1/8" H:80	106.033.B17.000.004	ST44-E275	1
3	Safety Valve Conn.	NPT 1/2" H:18	106.060.F04.000.001	E275-ST44	1
4	Blind Plug	NPT 1/2" Plug	106.130.F04.001.001	E275	1
5	Shell	Ø406x5 H:319,50	204.SLA.033.406.002	P355GH EN 10028-2	1
6	Head Torispheric	Ø406x5 H:125	101.033.406.001.000	P355GH EN 10028-2	1
7	Head Torispheric	Ø406x5 H:121	201.033.406.001.005	P355GH EN 10028-2	1
8	Head - Torispheric	Ø168x3 H:50	201.045.168.001.011	EN10028-2 P355GH	1
9	Skirt	Ø324x5 H:50	104.045.H50.415.324	S235	1
10	Base Plate	Ø290x5	105.005.415.001.001	S235	1
11	Pipe	Ø102x3	204.102.030.SLA.002	E235	1
12	Pipe	Ø168x3	204.168.030.SLA.000	E235	1
13	Label Plate	120x80x2	105.006.002.120.080	DD-13	1

GENERAL NOTES

- Max. allowable operating pressure (PS) according to the temperature range;
- 1) Allowable operating temperature : min. -20C° / max. +130C° PS1 = 33 Bar
- 2) Allowable operating temperature : min. -40C° / max. -20C° PS2 = 24 Bar
- Unless otherwise specified dimensions in MM
- Unless otherwise specified do not scale
- Unless otherwise specified tube must be clean&free from burrs inside&outside& suitable for soldering
- Unless otherwise specified do not scale indicated thickness are min. after forming or machining
- Unless otherwise specified dimension tolerances according to EN 113445-4

REVISIONS

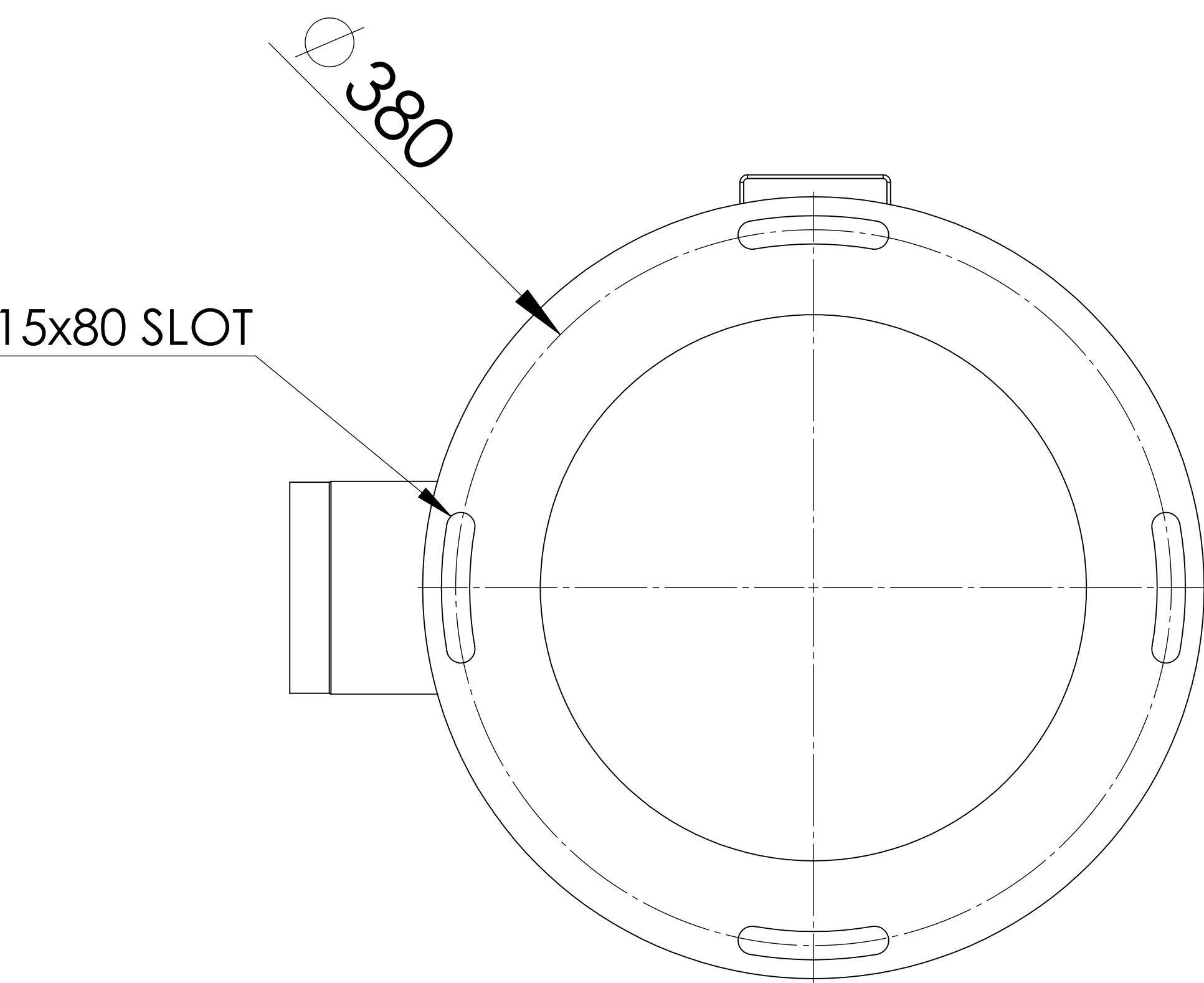
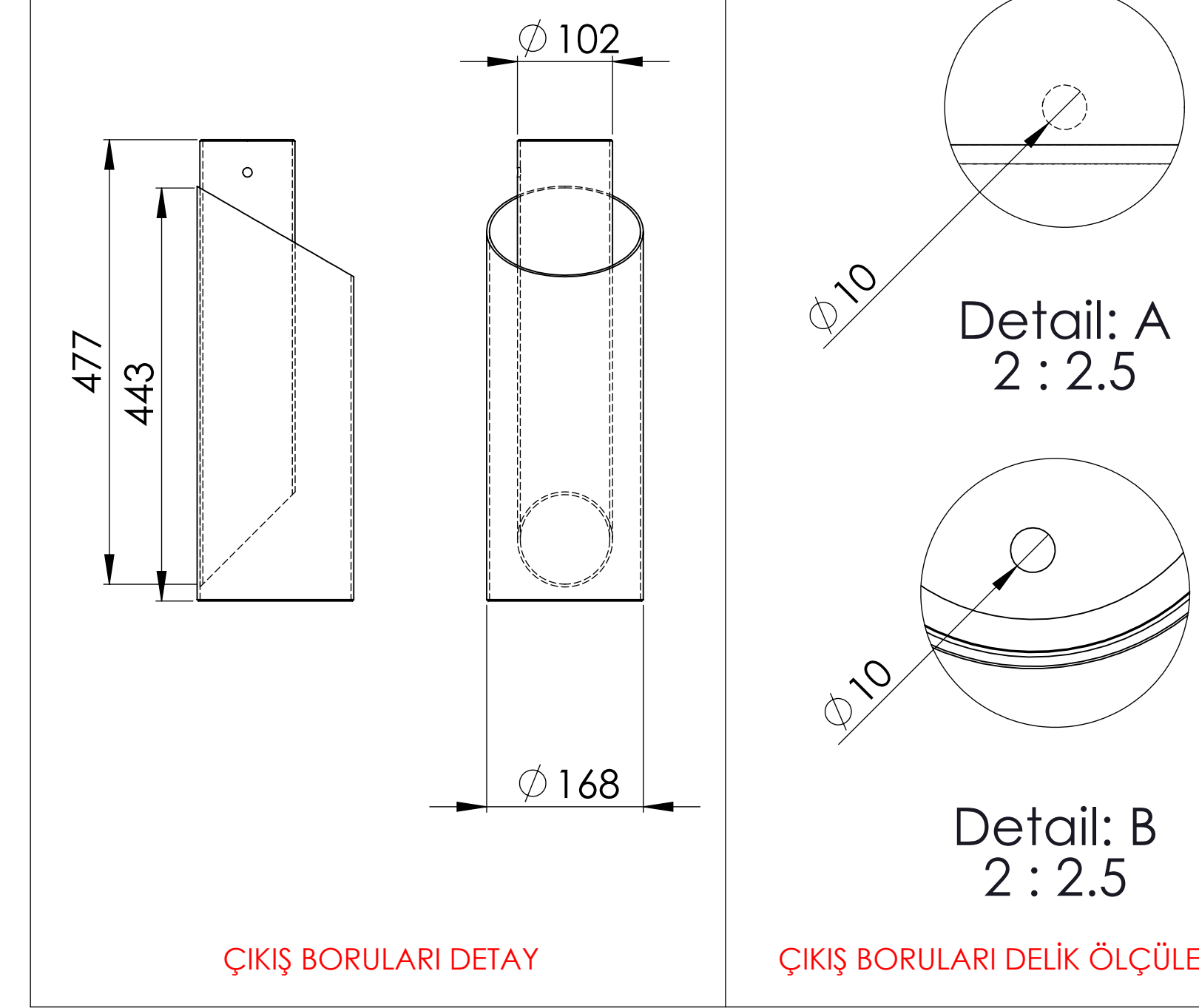
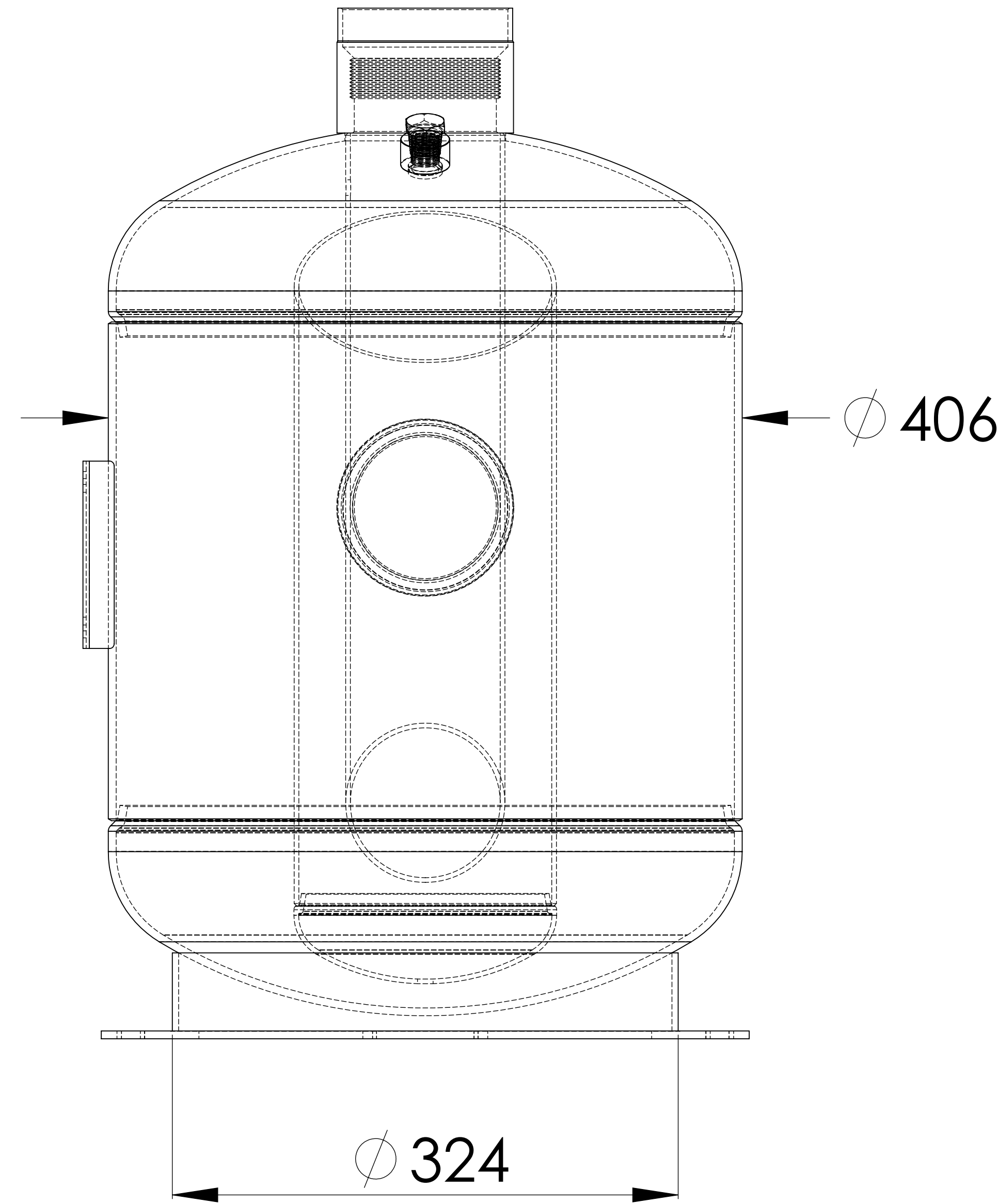
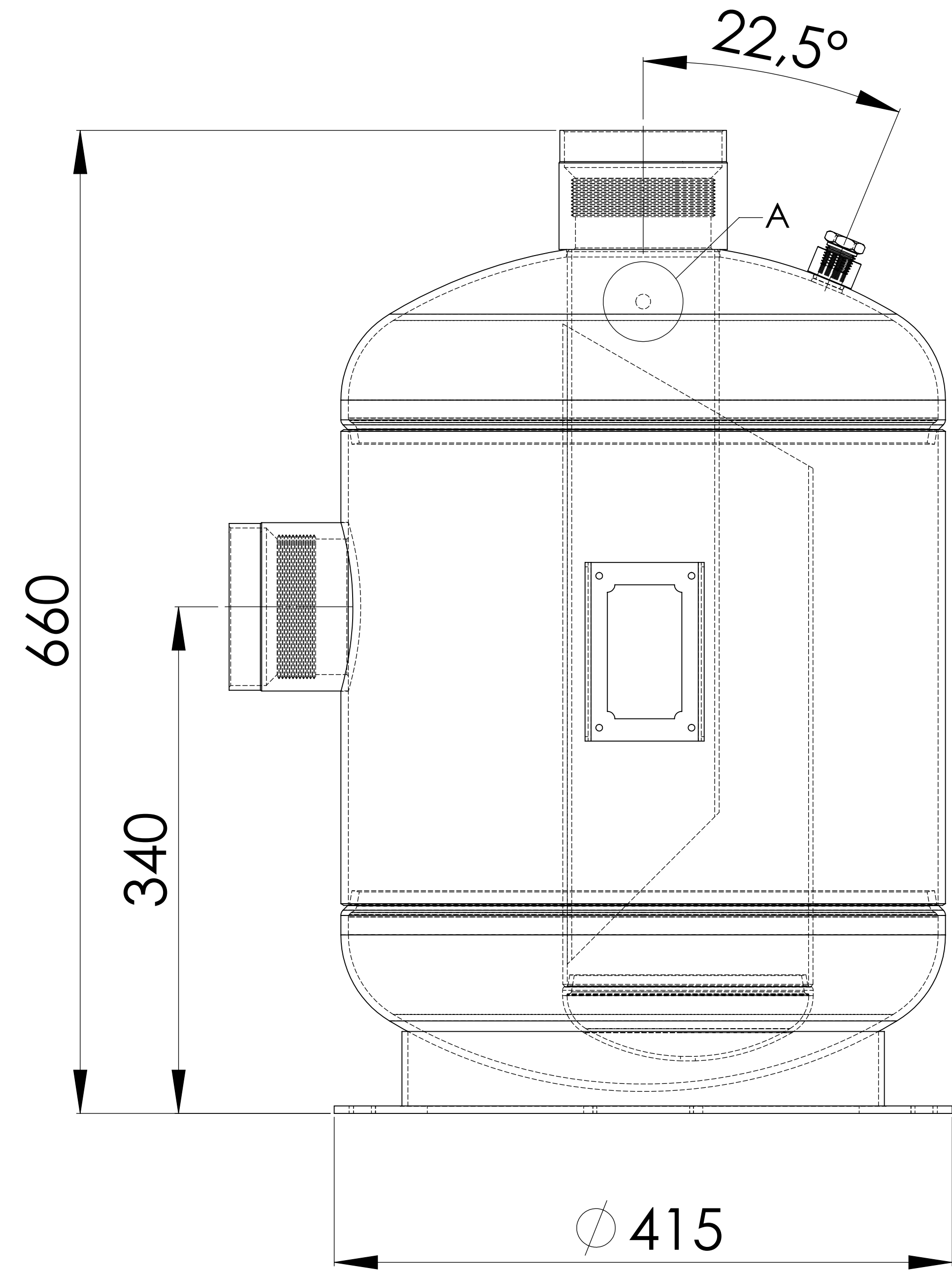
No	Details Of Change	Date	By
01			
02			
03			

RELATED DRAWINGS

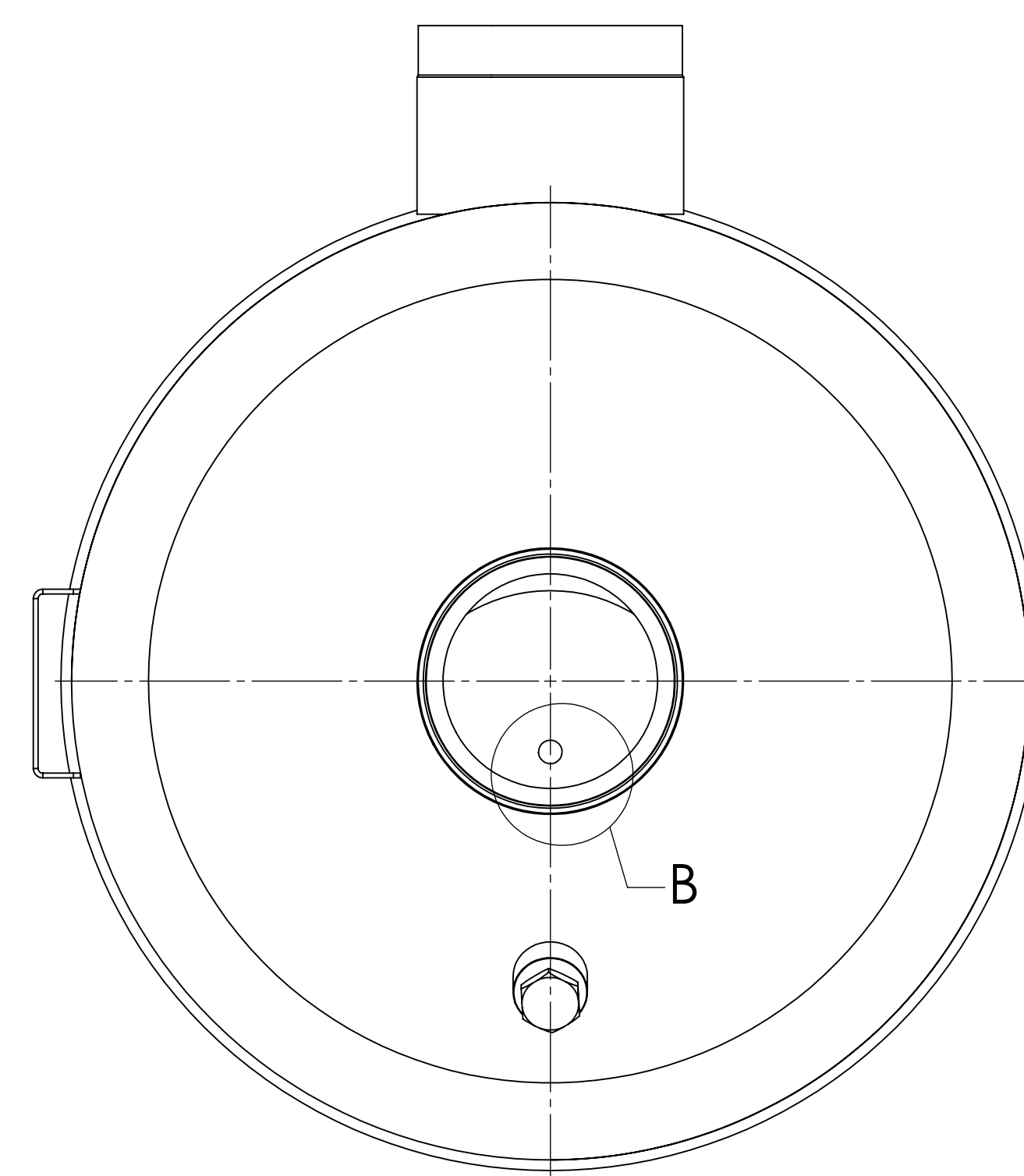
No	Description	Drawing No
01		
02		



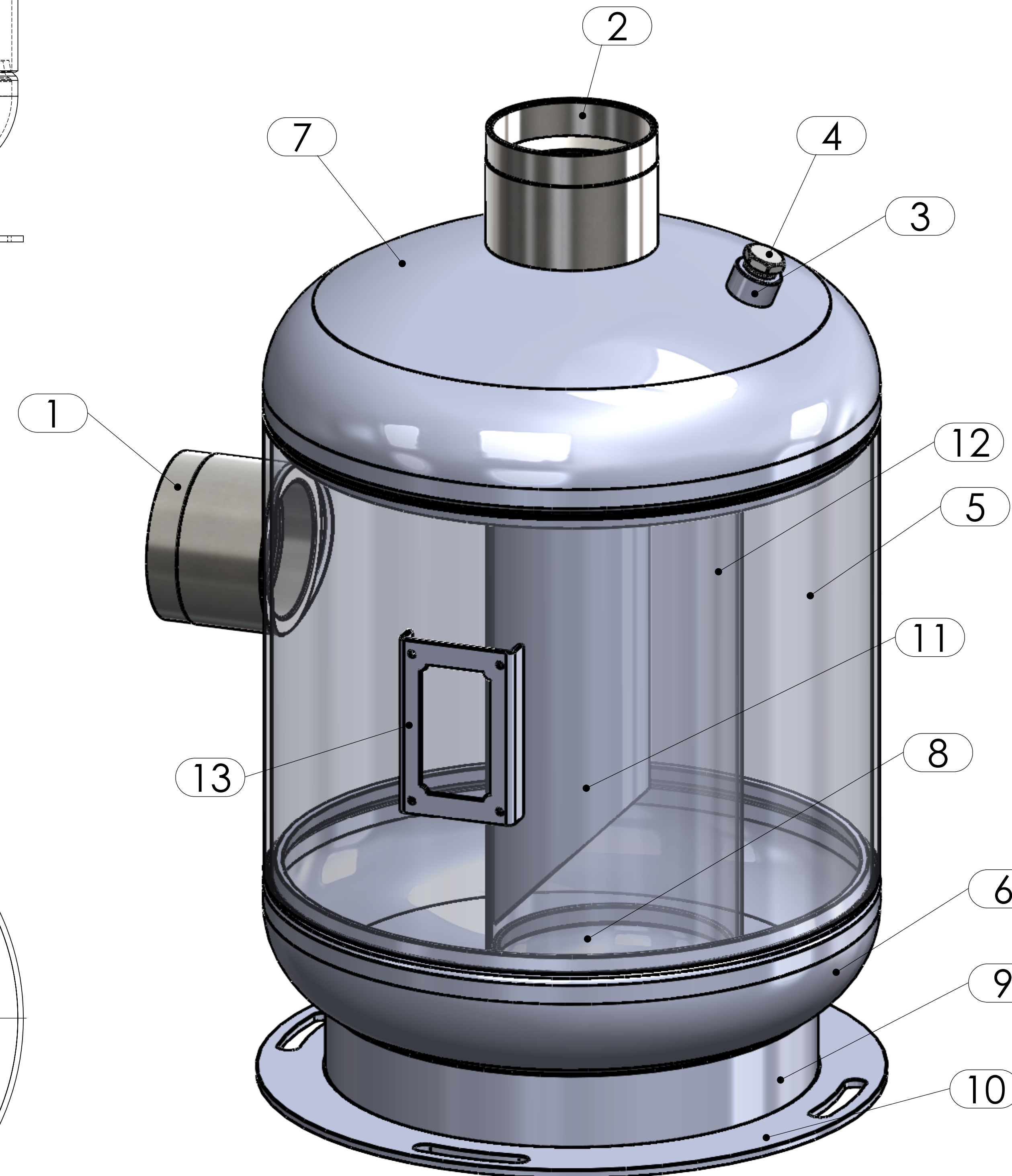
We reserve all rights in this document and in the information contained therein. Reproduction use or disclosure to third parties without express authority is strictly forbidden.



BOTTOM VIEW



TOP VIEW



No	Assembly Codes	Qty
1	M005.000358	1