

GÜVEN SOĞUTMA ÜNİTELERİ SAN. VE TİC. A.Ş.

Add: Hastane Mah. Hadimköy İstanbul Cd. No:78/1
34555, Arnavutköy, İstanbul, TURKEY
Tel: +90 212 771 51 12 - 771 51 13
Fax: +90 212 771 51 10
www.gvn.com.tr



GVN STANDART PRODUCT

Customer

SUCTION LINE ACCUMULATORS

Product

SLA.A.33b.109.60.F4

Code

Customer Code

DESIGN DATA

| | |
|-------------------------------|-----------------------|
| Capacity [Lt.] | 60 Lt. |
| Design Pressure [PS] | 33 Bar |
| Pneumatic Test Pressure [PT] | 36 Bar |
| Hydraulic Test Pressure | 48 Bar |
| Design Temperature [TS] | Min.-20C / Max.+130C |
| Cooler Fluid Type | HFC-CFC-HCFC |
| Fluid Group | 2 |
| Category | CAT III / H |
| Desing Calculation | EN 14276-1/EN 13445-3 |
| Welded Joint Efficiency | 0.85 |
| Material Group (Shell / Head) | 1.2 |
| Testing Group | 3b |
| Corrasion Allowance | 0,5 mm |
| Ndt | 10% |
| Packaging Size & Weight | 00*00*00 & 00 Kg. |
| Drawed By | Ö.TÜRKER |
| Approved By | D.GÜL |
| Date | 15.11.2022 |
| Color | RAL 5009 |

MATERIAL DATA

| No | Connection | Model | Code | Material | Qty |
|----|--------------------|-----------------|---------------------|-------------------|-----|
| 1 | Inlet Connection | ODS 4 1/4" H:80 | 106.033.B18.000.004 | ST44-E275 | 1 |
| 2 | Outlet Connection | ODS 4 1/4" H:80 | 106.033.B18.000.004 | ST44-E275 | 1 |
| 3 | Safety Valve Conn. | NPT 1/2" H:18 | 106.060.F04.000.001 | E275-ST44 | 1 |
| 4 | Blind Plug | NPT 1/2" Plug | 106.130.F04.001.001 | E275 | 1 |
| 5 | Pipe | Ø168x3 | 204.168.030.SLA.000 | E235 | 1 |
| 6 | Pipe | Ø102x3 | 204.102.030.SLA.002 | E235 | 1 |
| 7 | Shell | Ø406x5 H:319,50 | 204.SLA.033.406.003 | P355GH EN 10028-2 | 1 |
| 8 | Head Torispheric | Ø406x5 H:121 | 201.033.406.001.005 | P355GH EN 10028-2 | 1 |
| 9 | Head Torispheric | Ø406x5 H:125 | 101.033.406.001.000 | P355GH EN 10028-2 | 1 |
| 10 | Head - Torispheric | Ø168x3 H:50 | 201.045.168.001.011 | EN10028-2 P355GH | 1 |
| 11 | Skirt | Ø324x5 H:50 | 104.045.H50.415.324 | S235 | 1 |
| 12 | Base Plate | Ø290x5 | 105.005.415.001.001 | S235 | 1 |
| 13 | Label Plate | 120x80x2 | 105.006.002.120.080 | DD-13 | 1 |

GENERAL NOTES

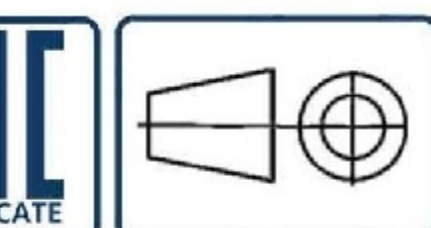
- Max. allowable operating pressure (PS) according to the temperature range;
- 1) Allowable operating temperature : min. -20C° / max. +130C° PS1 = 33 Bar
- 2) Allowable operating temperature : min. -40C° / max. -20C° PS2 = 24 Bar
- Unless otherwise specified dimensions in MM
- Unless otherwise specified do not scale
- Unless otherwise specified tube must be clean&free from burrs inside&outside&uitable for soldering
- Unless otherwise specified do not scale indicated thickness are min. after forming or machining
- Unless otherwise specified dimension tolerances according to EN 113445-4

REVISIONS

| No | Details Of Change | Date | By |
|----|-------------------|------|----|
| 01 | | | |
| 02 | | | |
| 03 | | | |

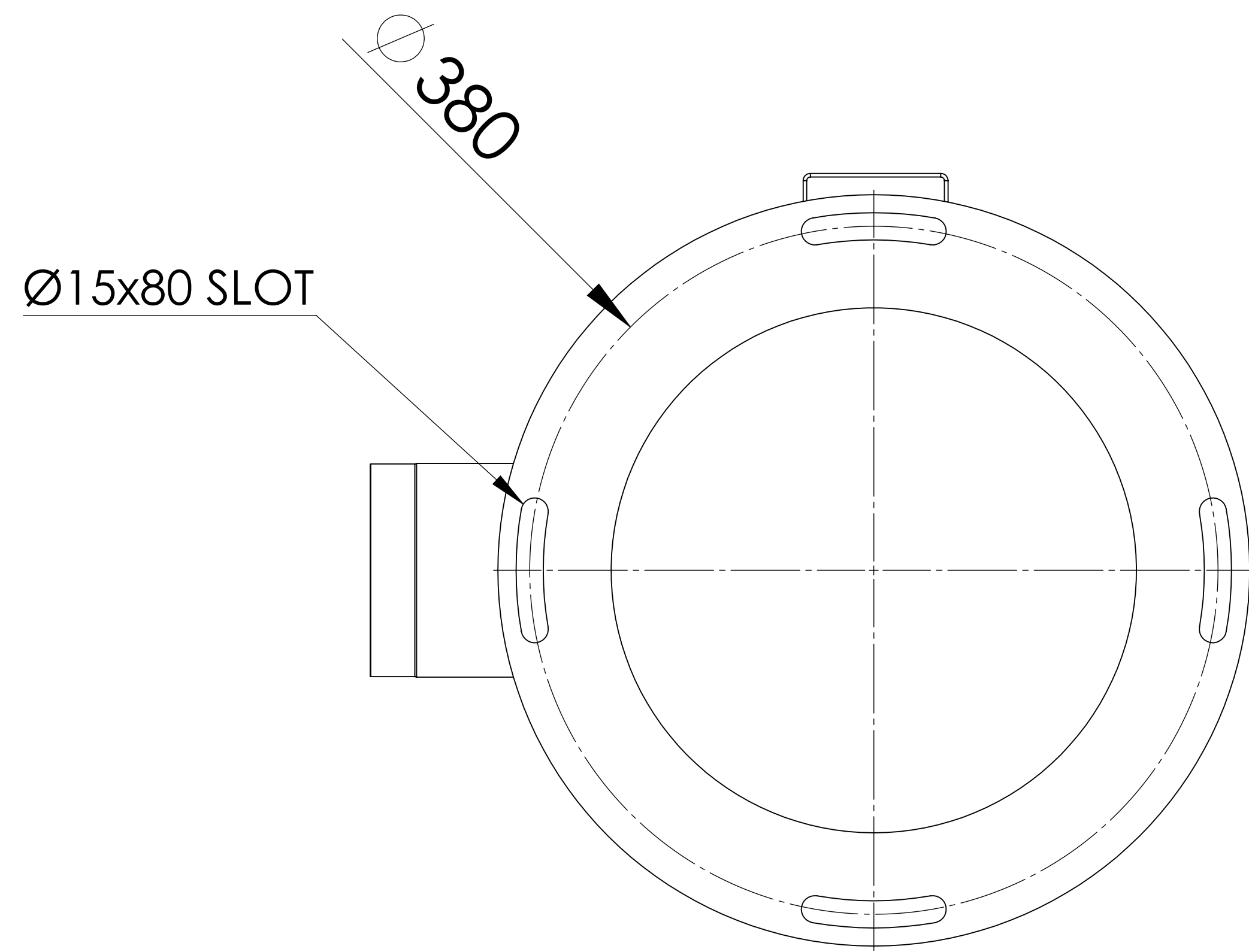
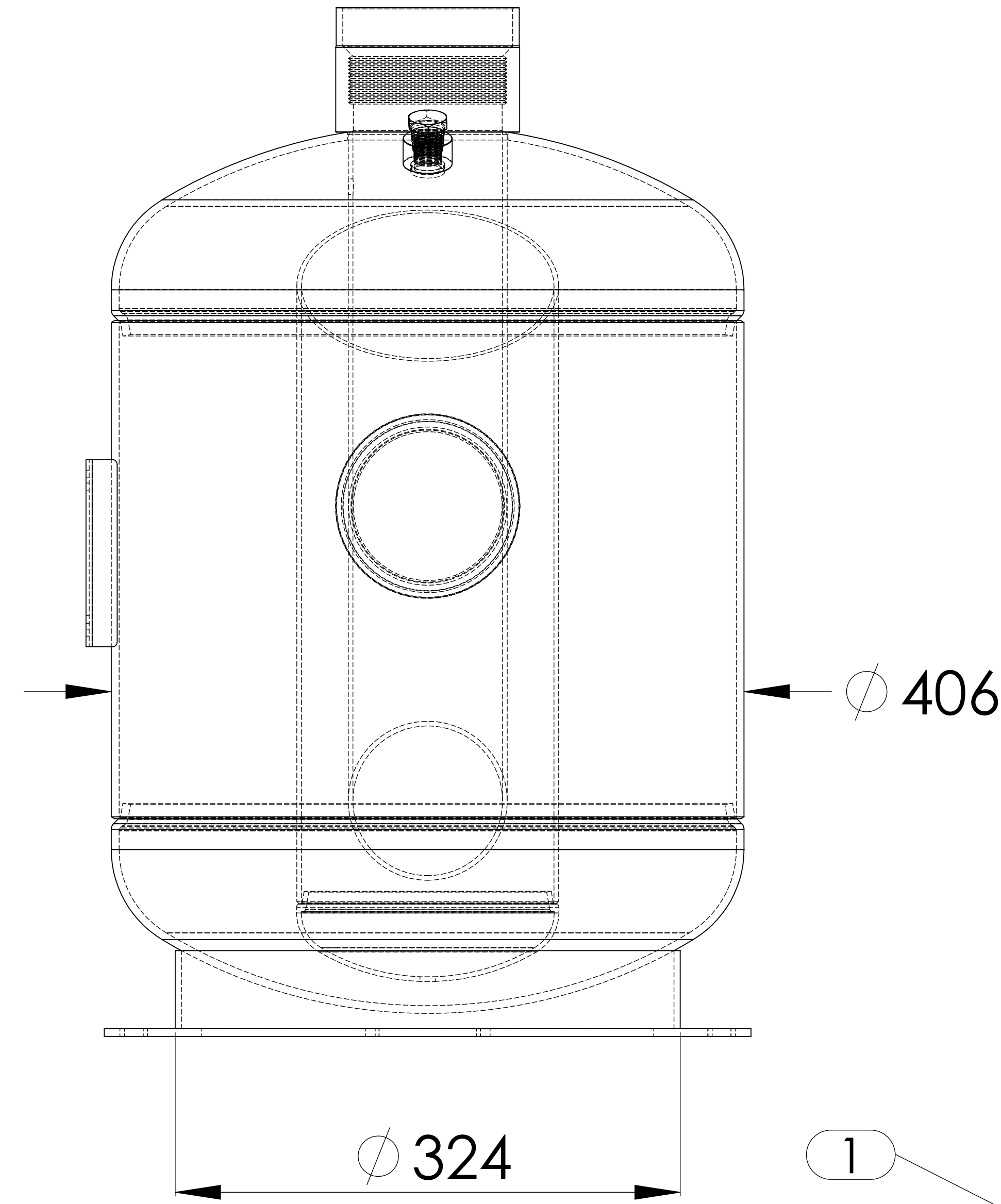
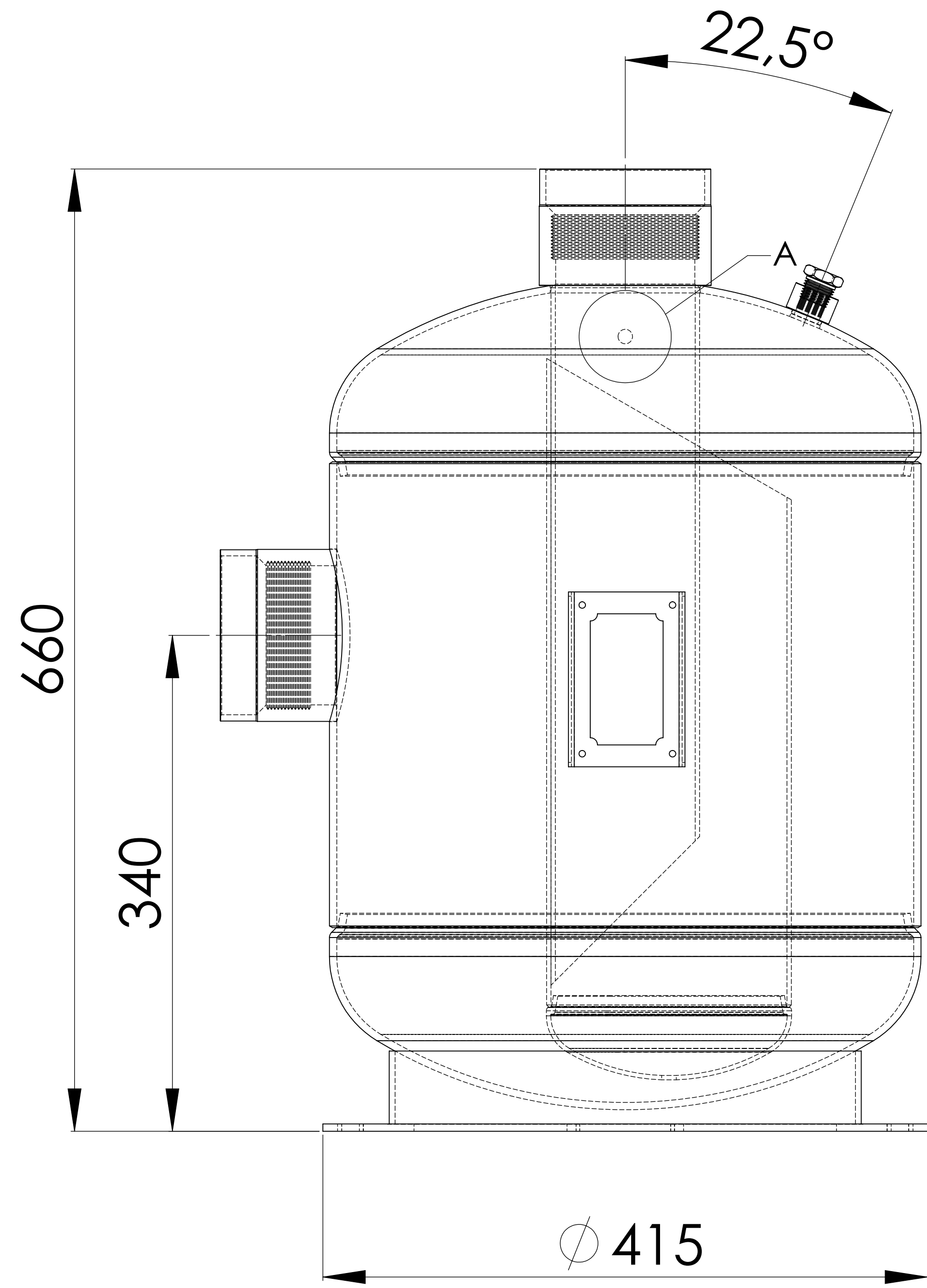
RELATED DRAWINGS

| No | Description | Drawing No |
|----|-------------|------------|
| 01 | | |
| 02 | | |

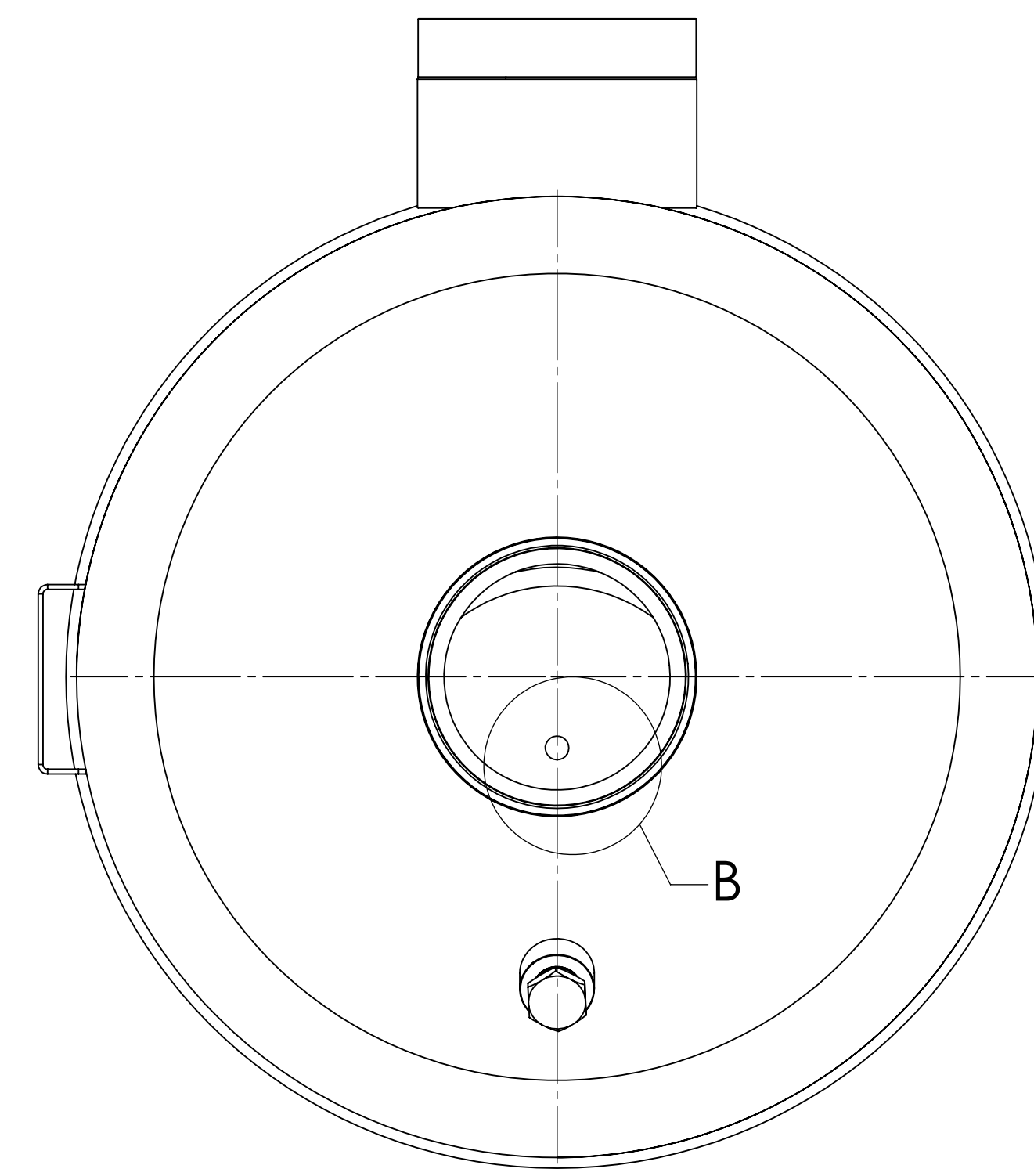


| No | Assembly Codes | Qty |
|----|----------------|-----|
| 1 | M005.000360 | 1 |

We reserve all rights in this document and in the information contained therein. Reproduction use or disclosure to third parties without express authority is strictly forbidden.



BOTTOM VIEW



TOP VIEW

