

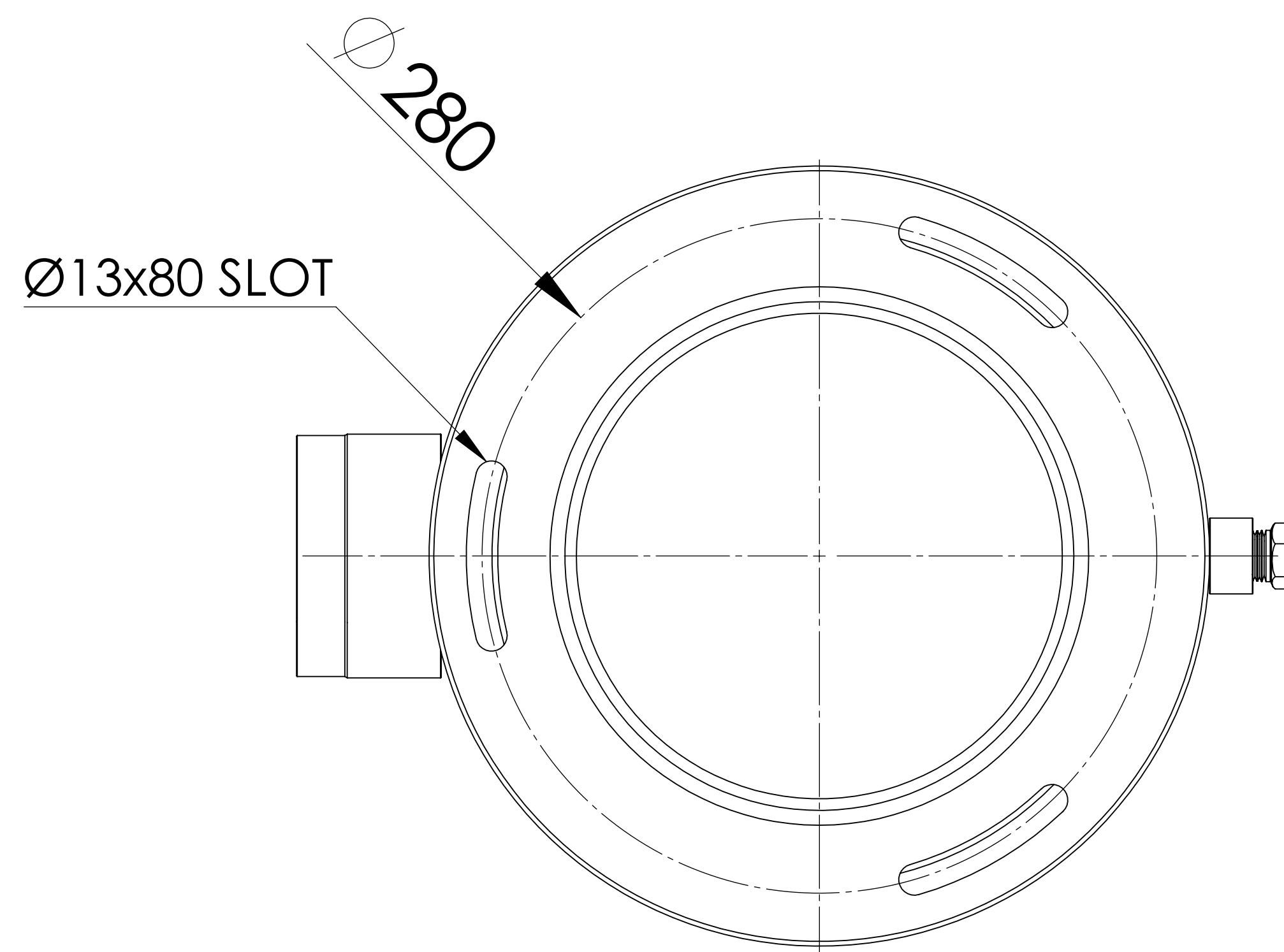
GÜVEN SOĞUTMA
ÜNİTELERİ SAN. VE TİC. A.Ş.
 Add.: Hastane Mah. Hadimköy İstanbul Cd. No:78/1
 34555, Arnavutköy, İstanbul, TURKEY
 Tel: +90 212 771 51 12 - 771 51 13
 Fax: +90 212 771 51 10
 www.gvn.com.tr



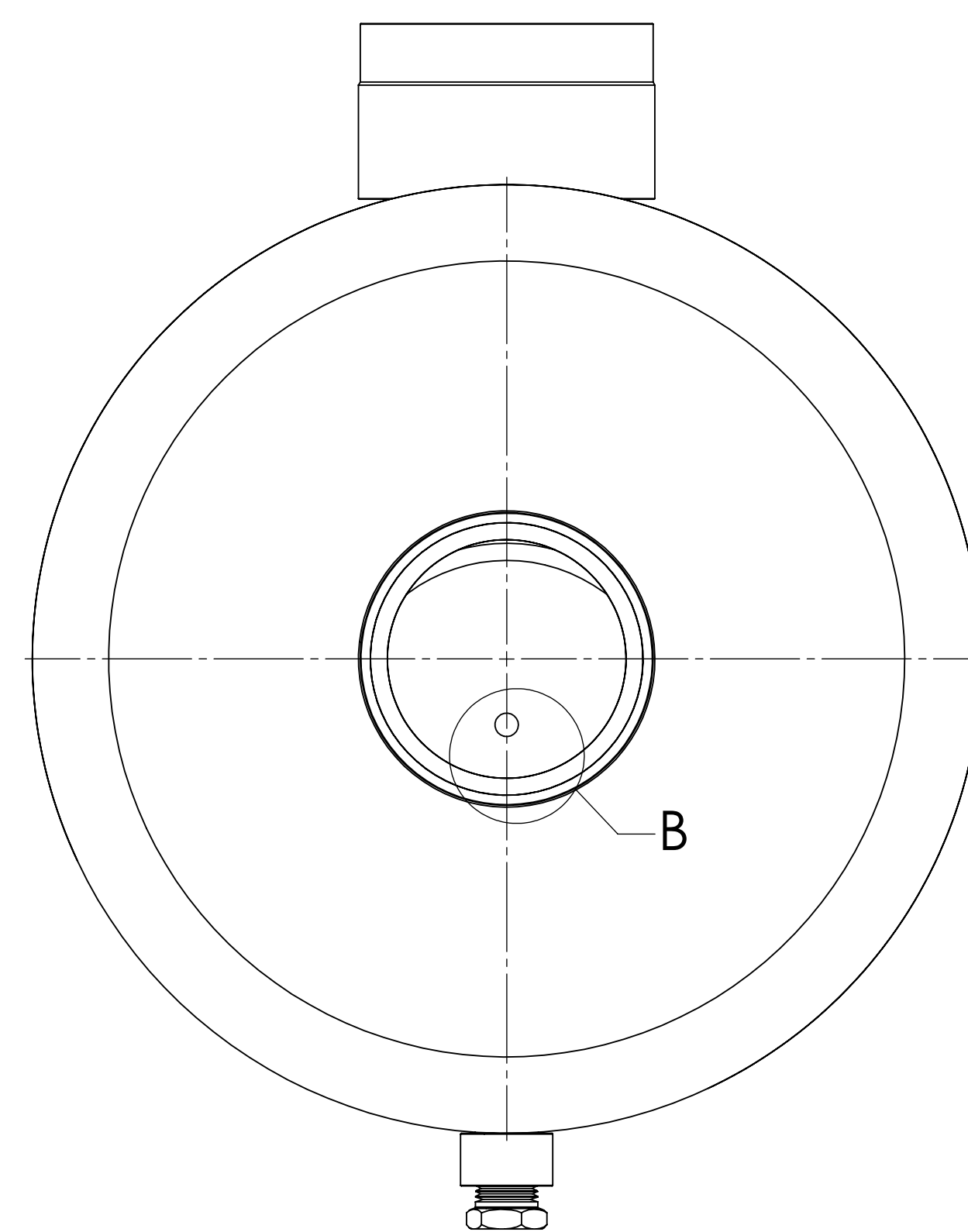
GVN STANDART PRODUCT	Customer
SUCTION LINE ACCUMULATORS	Product
SLA.A.33b.92.32.F4	Code
	Customer Code

DESIGN DATA	
Capacity [Lt.]	32 Lt.
Design Pressure [PS]	33 Bar
Pneumatic Test Pressure [PT]	36 Bar
Hydraulic Test Pressure	48 Bar
Design Temperature [TS]	Min.-20C / Max.+130C
Cooler Fluid Type	HFC-CFC-HCFC
Fluid Group	2
Category	CAT III / H
Desing Calculation	EN 14276-1/EN 13445-3
Welded Joint Efficiency	0.85
Material Group (Shell / Head)	1.2
Testing Group	3b
Corrasion Allowance	0,5 mm
Ndt	10%
Packaging Size & Weight	00*00*00 & 00 Kg.
Drawed By	Ö.TÜRKER
Approved By	D.GÜL
Date	11.11.2022
Color	RAL 5009

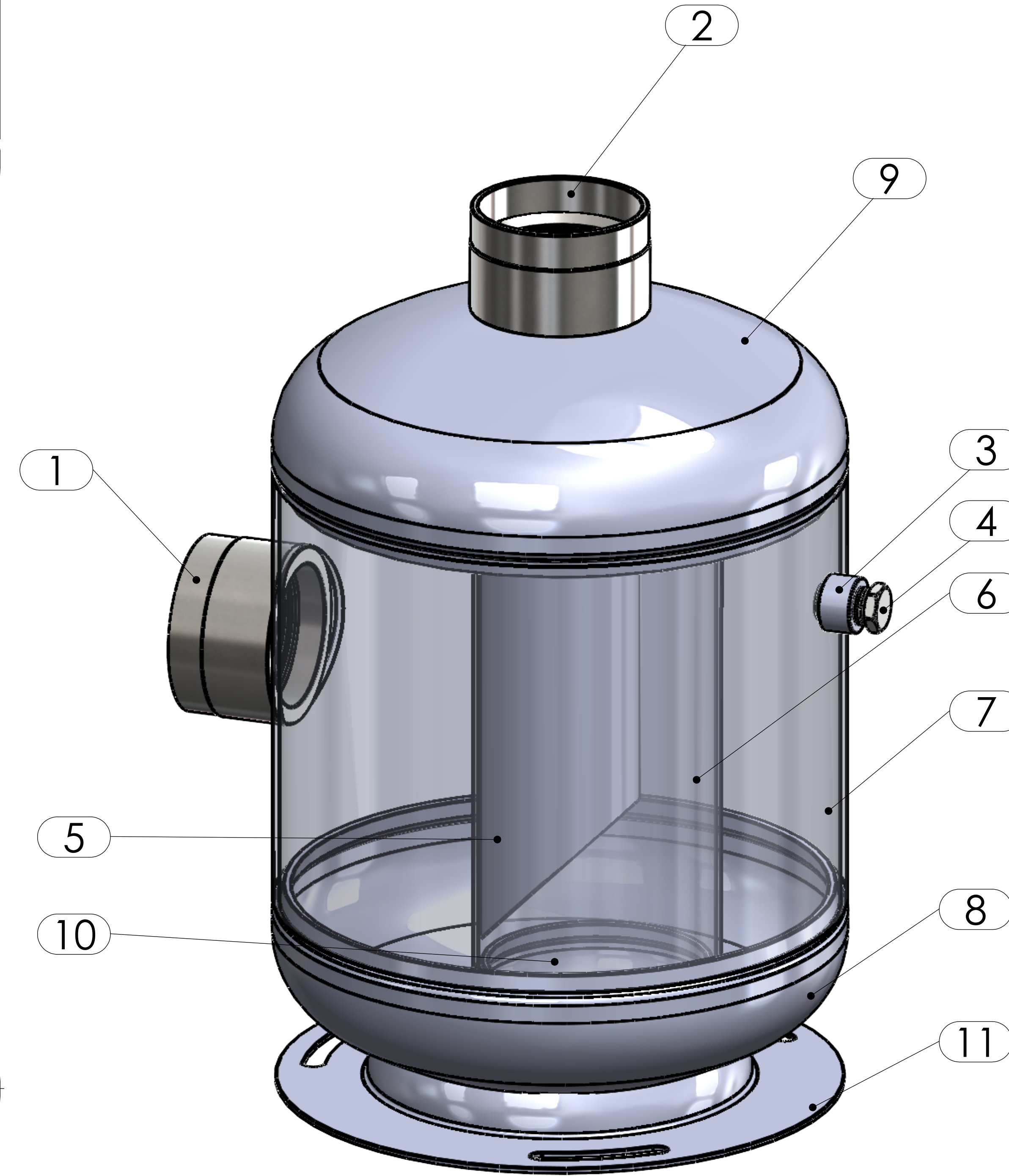
MATERIAL DATA					
No	Connection	Model	Code	Material	Qty
1	Inlet Connection	ODS 3 5/8" H:60	106.033.B15.000.010	ST44-E275	1
2	Outlet Connection	ODS 3 5/8" H:60	106.033.B15.000.010	ST44-E275	1
3	Safety Valve Conn.	NPT 1/2" H:18	106.060.F04.000.001	E275-ST44	1
4	Blind Plug	NPT 1/2" Plug	106.130.F04.001.001	E275	1
5	Pipe	Ø89x2	204.089.020.SLA.001	E235	1
6	Pipe	Ø140x3	204.140.030.SLA.001	E235	1
7	Shell	Ø323,9x4 H:258	204.SLA.033.324.003	P355NH EN 10217-3	1
8	Head - Torispheric	Ø323,9x4 H:100	101.033.324.001.000	P355GH EN 10028-2	1
9	Head - Torispheric	Ø324X4 H:96	201.033.324.001.011	P355GH EN 10028-2	1
10	Head - Torispheric	Ø140x3 H:45	201.060.140.001.009	EN10028-2 P355GH	1
11	Skirt With	Ø320x2,5 H:27	105.004.320.001.001	EN 10111 DD-13	1



BOTTOM WIEW



TOP WIEW



GENERAL NOTES

- Max. allowable operating pressure [PS] according to the temperature range;
- 1) Allowable operating temperature : min. -20C° / max. +130C° PS1 = 33 Bar
- 2) Allowable operating temperature : min. -40C° / max. -20C° PS2 = 24 Bar
- Unless otherwise specified dimensions in MM
- Unless otherwise specified do not scale
- Unless otherwise specified tube must be clean&free from burrs inside&outside&uitable for soldering
- Unless otherwise specified do not scale indicated thickness are min. after forming or machining
- Unless otherwise specified dimension tolerances according to EN 113445-4

REVISIONS			
No	Details Of Change	Date	By
01			
02			
03			

RELATED DRAWINGS		
No	Description	Drawing No
01		
02		

No	Assembly Codes	Qty
1	M005.000355	1



We reserve all rights in this document and in the information contained therein. Reproduction use or disclosure to third parties without express authority is strictly forbidden.