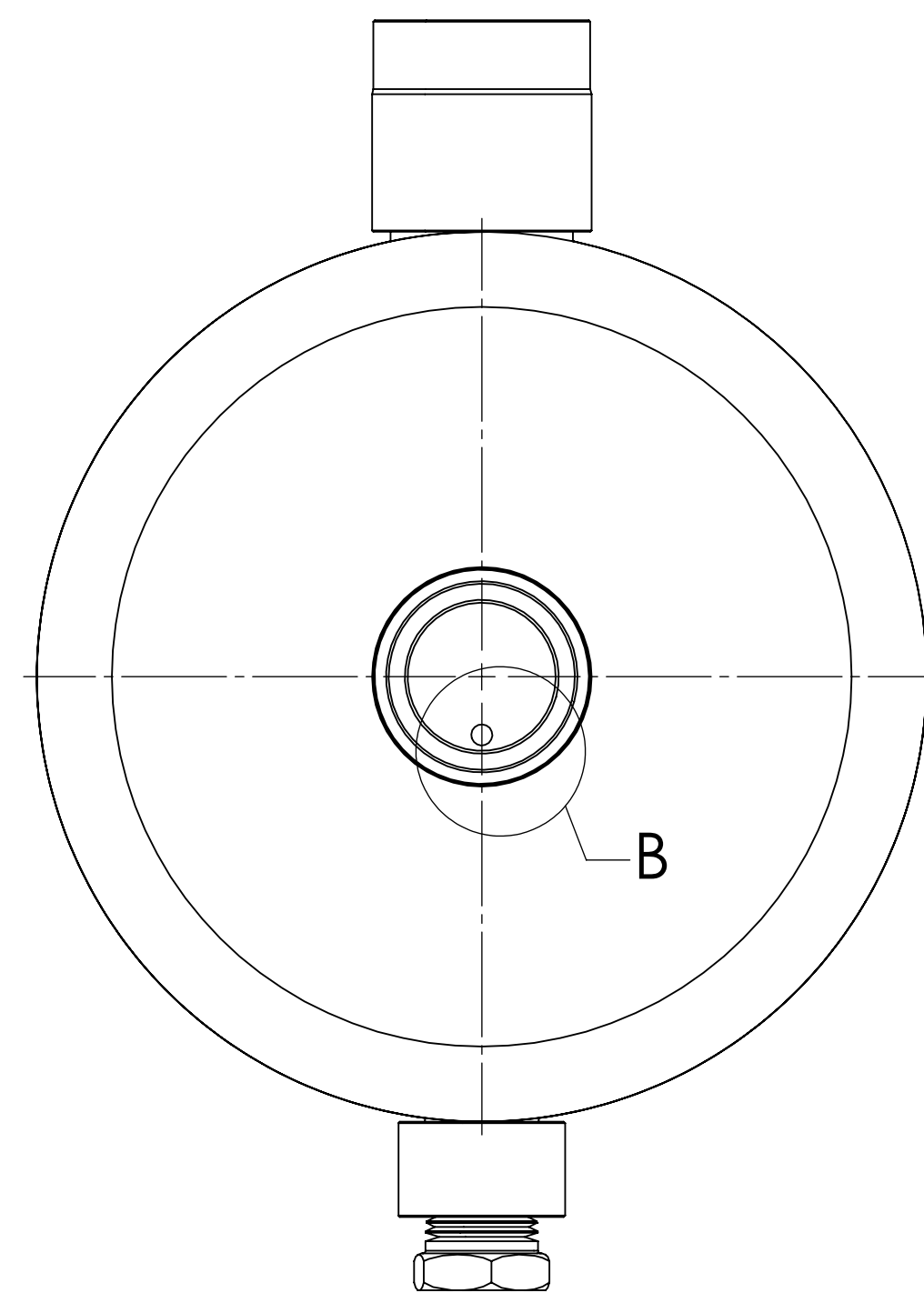
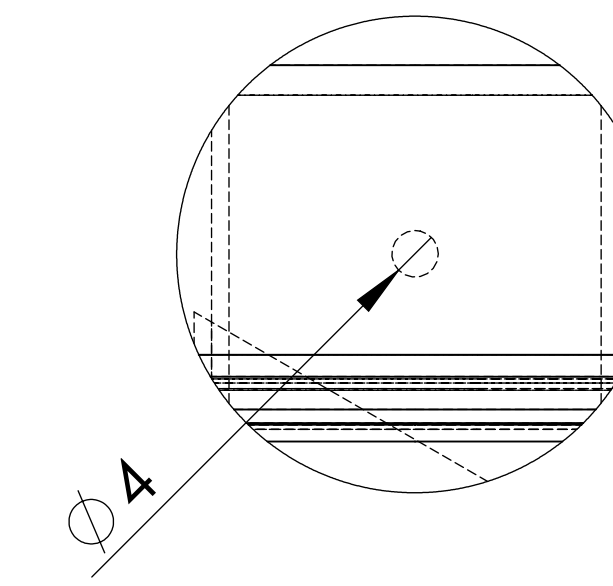
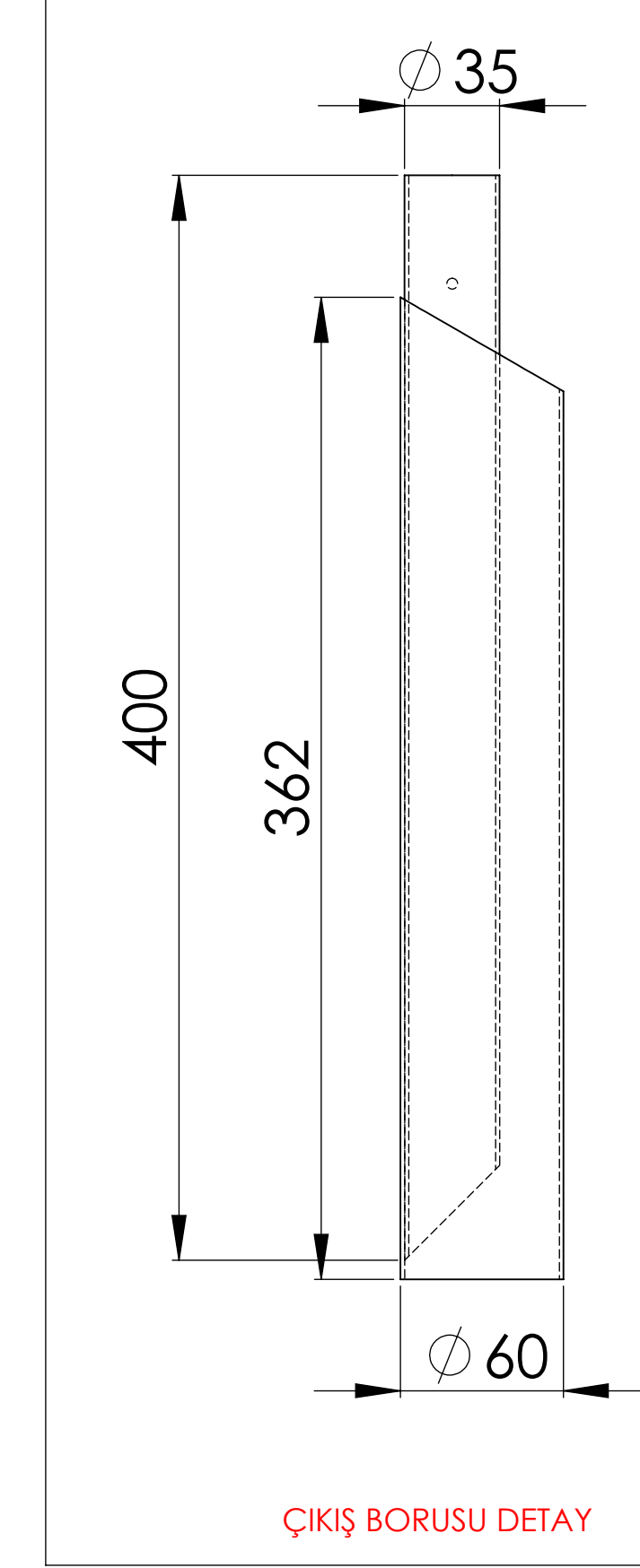


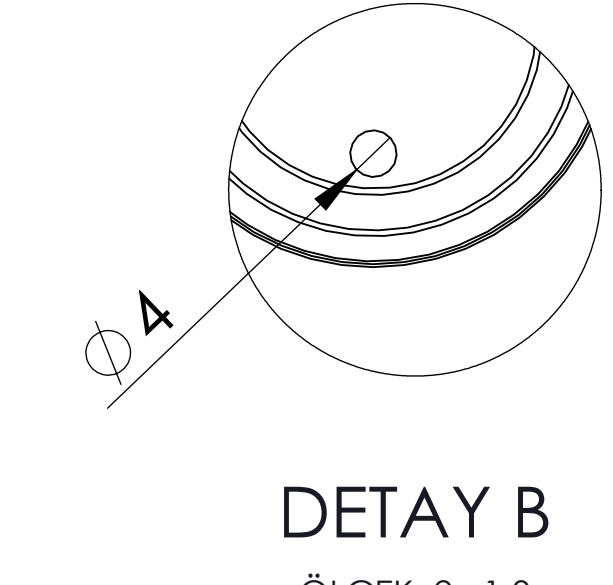
BOTTOM VIEW



TOP VIEW



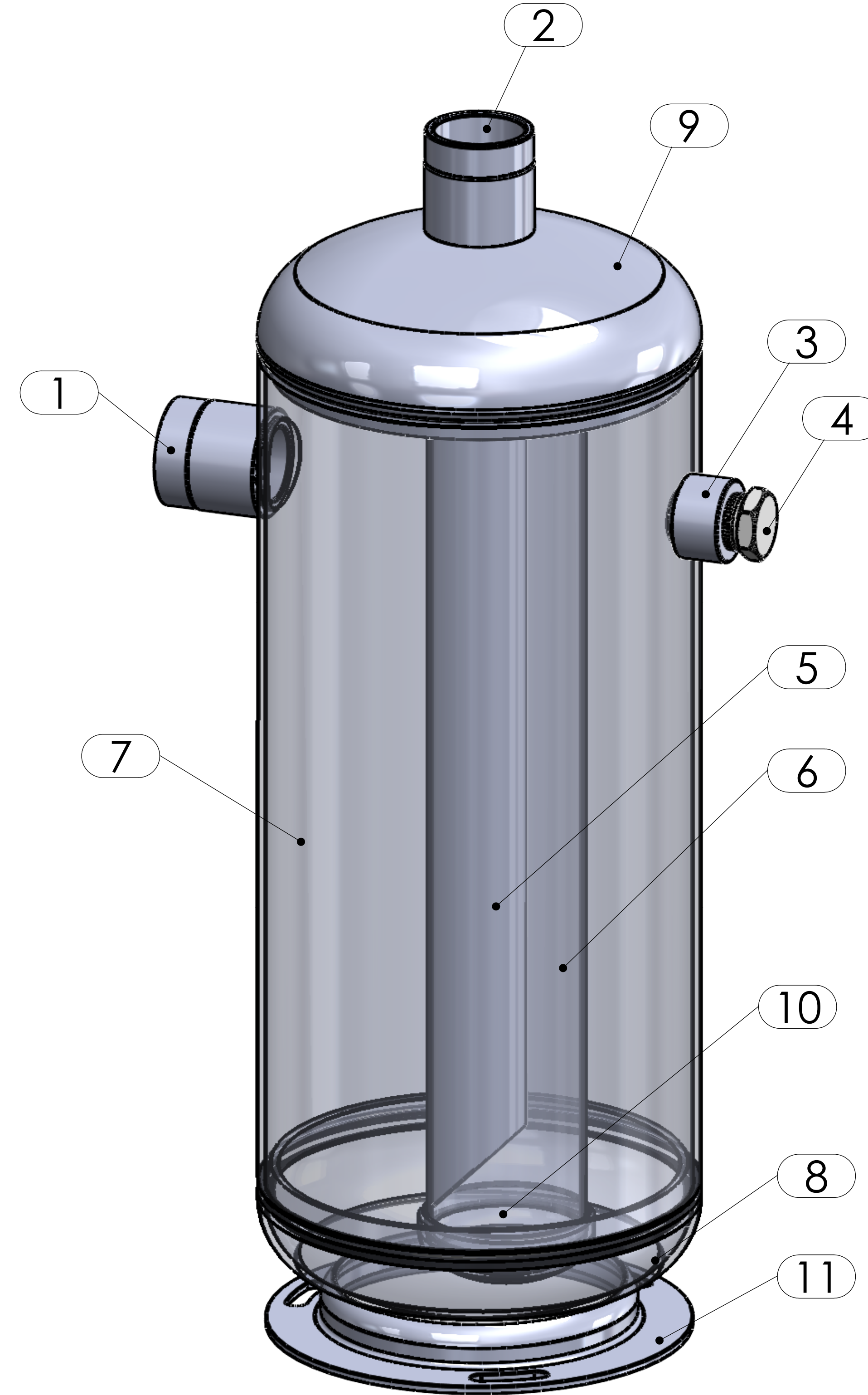
DETAY A
ÖLÇEK 2 : 1.3



DETAY B
ÖLÇEK 2 : 1.3

ÇIKIŞ BORUSU DETAY

ÇIKIŞ BORUSU DELİK ÖLÇÜLERİ



GÜVEN SOĞUTMA ÜNİTELERİ SAN. VE TİC. A.Ş.

Addr.: Hastane Mah. Hadimköy İstanbul Cd. No:78/1
34555, Arnavutköy, İstanbul, TÜRKİYE
Tel: +90 212 771 51 12 - 771 51 13
Fax: +90 212 771 51 10
www.gvn.com.tr



GVN STANDART PRODUCT

Customer

SUCTION LINE ACCUMULATORS

Product

SLA.A.45B.35.8,1.F4

Code

Customer Code

DESIGN DATA

Capacity [Lt.]	8,1 Lt.
Design Pressure [PS]	45 Bar
Pneumatic Test Pressure [PT]	50 Bar
Hydraulic Test Pressure	65 Bar
Design Temperature [TS]	Min.-20C / Max.+130C
Cooler Fluid Type	HFC-CFC-HCFC-R744
Fluid Group	2
Category	CAT II / D1
Desing Calculation	EN 14276-1/EN 13445-3
Welded Joint Efficiency	0.85
Material Group (Shell / Head)	1.2
Testing Group	3b
Corrasion Allowance	0,5 mm
Ndt	10%
Packaging Size & Weight	00*00*00 & 00 Kg.
Drawed By	Ö.TÜRKER
Approved By	D.GÜL
Date	19.12.2022
Color	RAL 5009

MATERIAL DATA

No	Connection	Model	Code	Material	Qty
1	Inlet Connection	ODS 1 3/8" H:40	106.060.B08.000.001	E275	1
2	Outlet Connection	ODS 1 3/8" H:40	106.060.B08.000.002	E275	1
3	Safety Valve Conn.	NPT 1/2" H:18	106.060.F04.000.001	E275-ST44	1
4	Blind Plug	NPT 1/2" Plug	106.130.F04.001.001	E275	1
5	Pipe	Ø35x1,5	204.035.015.SLA.001	E235	1
6	Pipe	Ø60x1,5	204.060.015.SLA.000	E235	1
7	Shell	Ø168x3 H:334,3	204.SLA.045.168.001	P355NH EN 10217-3	1
8	Head - Torispheric	Ø168x3 H:50	101.045.168.001.000	EN10028-2 P355GH	1
9	Head - Torispheric	Ø168x3 H:50	201.045.168.001.003	EN10028-2 P355GH	1
10	Head Torispheric	Ø66,5x3 H:26	202.033.060.001.000	P355GH EN 10028-2	1
11	Skirt With	Ø162x2,5 H:18	105.004.162.001.001	S235JR	1

GENERAL NOTES

- Max. allowable operating pressure (PS) according to the temperature range;
- 1) Allowable operating temperature : min. -20C° / max. +130C° PS1 = 45 Bar
- 2) Allowable operating temperature : min. -40C° / max. -20C° PS2 = 33 Bar
- Unless otherwise specified dimensions in MM
- Unless otherwise specified do not scale
- Unless otherwise specified tube must be clean&free from burrs inside&outside&uitable for soldering
- Unless otherwise specified do not scale indicated thickness are min. after forming or machining
- Unless otherwise specified dimension tolerances according to EN 113445-4

REVISIONS

No	Details Of Change	Date	By
01			
02			
03			

RELATED DRAWINGS

No	Description	Drawing No
01		
02		



No	Assembly Codes	Qty
1	M005.000410	1

We reserve all rights in this document and in the information contained therein. Reproduction use or disclosure to third parties without express authority is strictly forbidden.