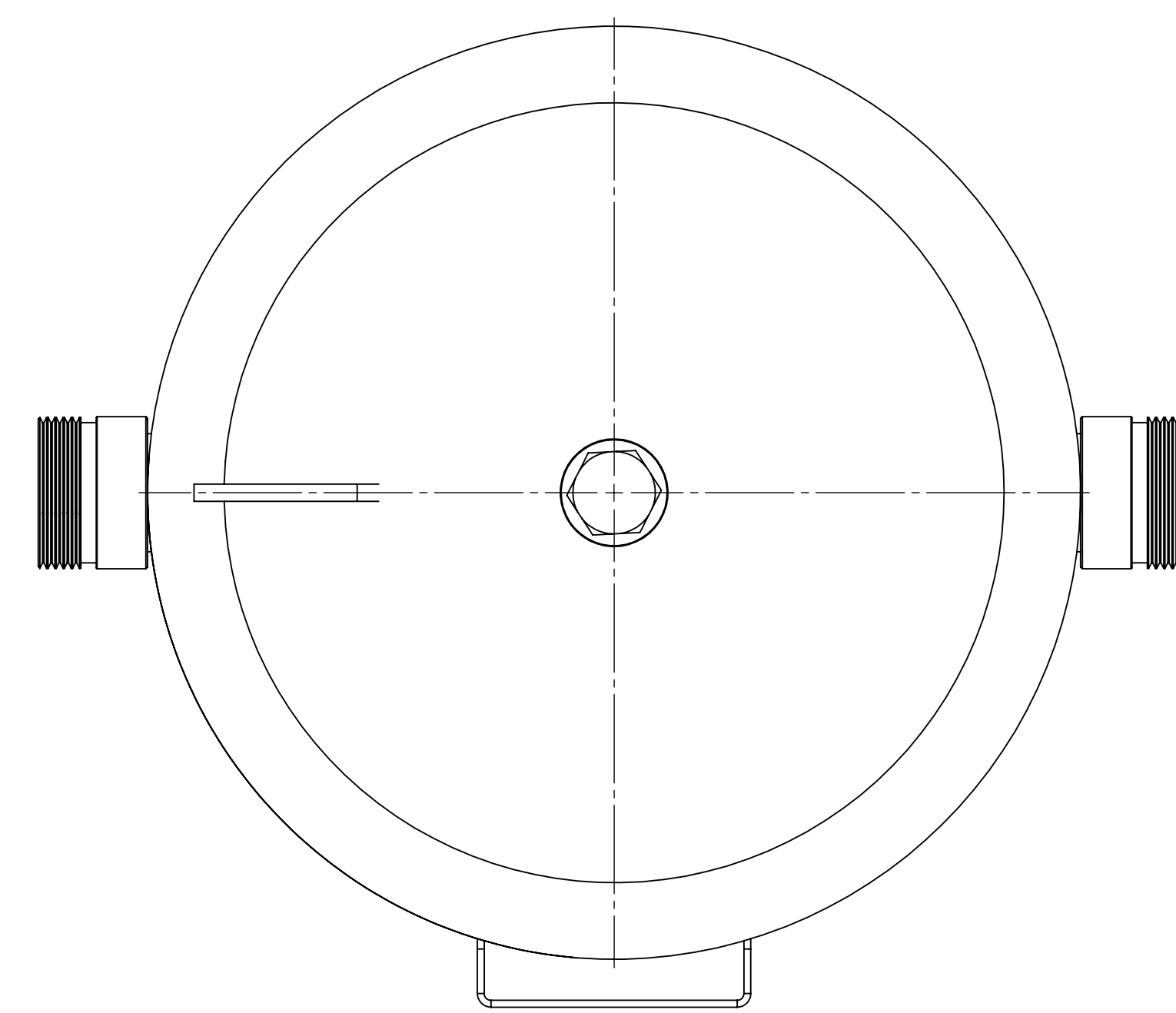
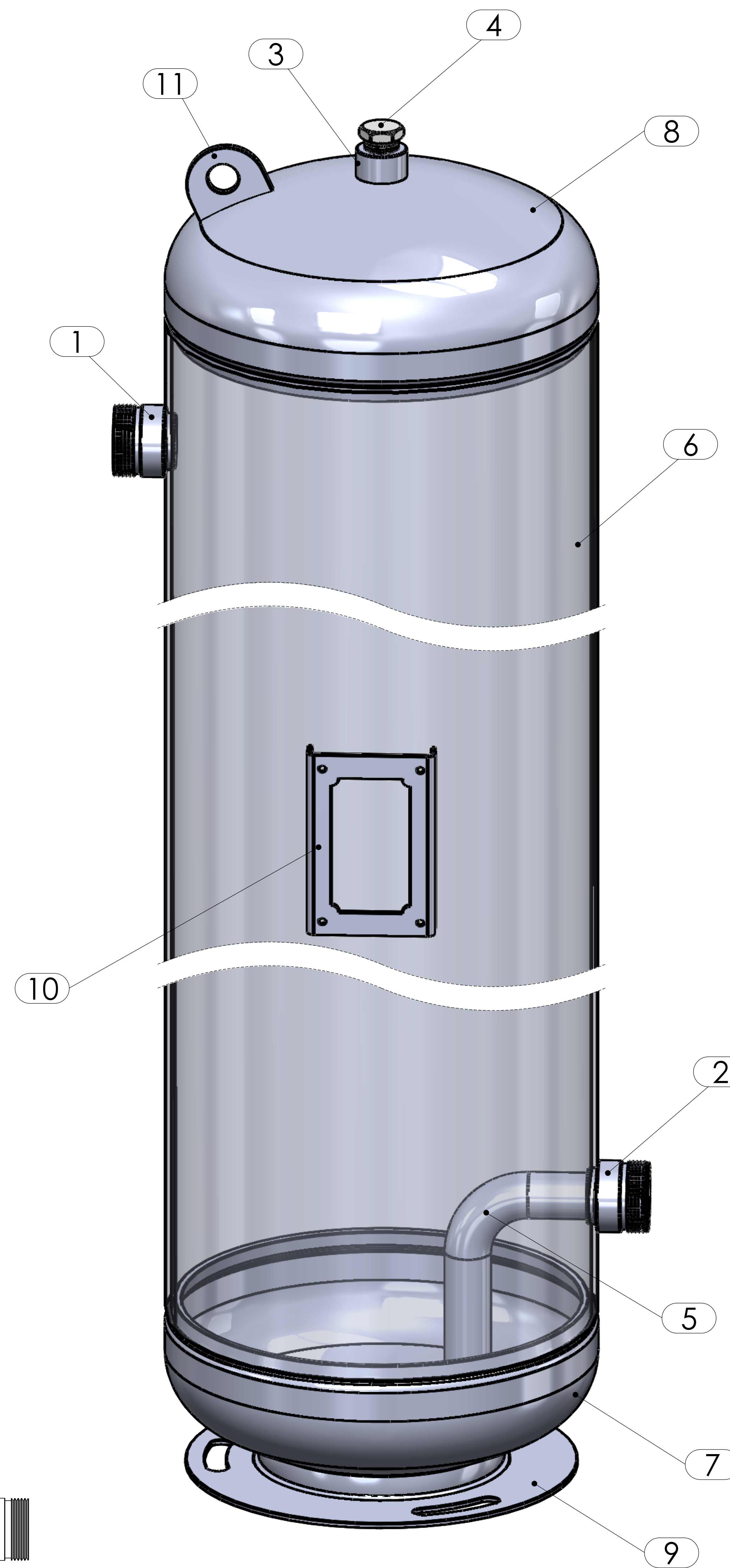


BOTTOM VIEW



TOP VIEW



GÜVEN SOĞUTMA
ÜNİTELERİ SAN. VE TİC. A.Ş.

Add: Hastane Mah. Hadimköy İstanbul Cd. No:78/1
34555, Arnavutköy, İstanbul, TURKEY
Tel: +90 212 771 51 12 - 771 51 13
Fax: +90 212 771 51 10
www.gvn.com.tr



| | |
|----------------------------------|----------------------|
| GVN STANDART PRODUCT | Customer |
| VERTICAL LIQUID RECEIVERS | Product |
| V8A.33b.90.A4.A4.F4 | Code |
| | Customer Code |

| DESIGN DATA | |
|-------------------------------|-----------------------|
| Capacity [Lt.] | 90 Lt. |
| Design Pressure [PS] | 33 Bar |
| Pneumatic Test Pressure [PT] | 36 Bar |
| Hydraulic Test Pressure | 48 Bar |
| Design Temperature [TS] | Min.-20C / Max.+130C |
| Cooler Fluid Type | HFC-CFC-HCFC |
| Fluid Group | 2 |
| Category | CAT III / H |
| Desing Calculation | EN 14276-1/EN 13445-3 |
| Welded Joint Efficiency | 0.85 |
| Material Group (Shell / Head) | 1.2 |
| Testing Group | 3b |
| Corrasion Allowance | 0,5 mm |
| Ndt | 10% |
| Packaging Size & Weight | 00*00*00 & 00 Kg. |
| Drawed By | Ö.TÜRKER |
| Approved By | D.GÜL |
| Date | 22.03.2022 |
| Color | RAL 5009 |

| MATERIAL DATA | | | | | |
|---------------|--------------------|-----------------|---------------------|------------------|-----|
| No | Connection | Model | Code | Material | Qty |
| 1 | Inlet Connection | ROT.1 3/4" H:32 | 106.060.A04.001.001 | E 275 | 1 |
| 2 | Outlet Connection | ROT.1 3/4" H:32 | 106.060.A04.001.001 | E 275 | 1 |
| 3 | Safety Valve Conn. | NPT 1/2" H:18 | 106.060.F04.000.001 | E275-S144 | 1 |
| 4 | Blind Plug | NPT 1/2" Plug | 106.130.F04.001.001 | E275 | 1 |
| 5 | Pipe | Ø28,5X1,5 | 204.A28.015.000.180 | EN10297-1 E235 | 1 |
| 6 | Shell | Ø273x4 H:1560 | 204.V08.33B.090.001 | EN10217-3 P355NH | 1 |
| 7 | Head - Torispheric | Ø273x4 H:95 | 101.045.273.001.000 | P355GH EN10028-2 | 1 |
| 8 | Head Torispheric | Ø273x4 H:95 | 201.045.273.001.001 | EN10028-2 P355GH | 1 |
| 9 | Skirt With | Ø247x2,5 H:18 | 105.004.247.001.001 | S235JR | 1 |
| 10 | Label Plate | 120x80x2 | 105.006.002.120.080 | DD-13 | 1 |
| 11 | Lifting | 50x40 | 105.011.MP0.050.040 | S235 | 1 |

GENERAL NOTES

- Max. allowable operating pressure (PS) according to the temperature range;
- 1) Allowable operating temperature : min. -20C° / max. +130C° PS1 = 33 Bar
- 2) Allowable operating temperature : min. -20C° / max. -40C° PS2 = 24 Bar
- Unless otherwise specified dimensions in MM
- Unless otherwise specified do not scale
- Unless otherwise specified tube must be clean&free from burrs inside&outside&uitable for soldering
- Unless otherwise specified do not scale indicated thickness are min. after forming or machining
- Unless otherwise specified dimension tolerances according to EN 113445-4

REVISIONS

| No | Details Of Change | Date | By |
|----|-------------------|------|----|
| 01 | | | |
| 02 | | | |
| 03 | | | |

RELATED DRAWINGS

| No | Description | Drawing No |
|----|-------------|------------|
| 01 | | |
| 02 | | |



| No | Assembly Codes | Qty |
|----|----------------|-----|
| 1 | M005.000063 | 1 |

We reserve all rights in this document and in the information contained therein. Reproduction use or disclosure to third parties without express authority is strictly forbidden.