

**GÜVEN SOĞUTMA  
ÜNİTELERİ SAN. VE TİC. A.Ş.**

Addr.: Hastane Mah. Hadimköy İstanbul Cd. No:78/1  
34555, Arnavutköy, İstanbul, TÜRKİYE  
Tel: +90 212 771 51 12 - 771 51 13  
Fax: +90 212 771 51 10  
www.gvn.com.tr



**GVN STANDART PRODUCT** **Customer**

**VERTICAL LIQUID RECEIVER** **Product**

**VLR.A.30b.10.B4.C4** **Code**

**Customer Code**

**DESIGN DATA**

Capacity [Lt.]	10 Lt.
Design Pressure [PS]	30 Bar
Pneumatic Test Pressure [PT]	33 Bar
Hydraulic Test Pressure	43 Bar
Design Temperature [TS]	Min.-20C / Max.+130C
Cooler Fluid Type	HFC-CFC-HCFC
Fluid Group	2
Category	CAT II / D1
Desing Calculation	EN 14276-1/EN 13445-3
Welded Joint Efficiency	0.85
Material Group (Shell / Head)	1.2
Testing Group	3b
Corrasion Allowance	0,5 mm
Ndt	10%
Packaging Size & Weight	00*00*00 & 00 Kg.
Drawed By	Ö.TÜRKER
Approved By	D.GÜL
Date	20.06.2022
Color	RAL 5009

**MATERIAL DATA**

No	Connection	Model	PARÇA NUMARASI	Material	Qty
1	Inlet Connection	ODS 5/8" H:33	106.060.B04.000.007	ST44-E275	1
2	Outlet Connection	ROT. 1" H:25	106.060.A02.001.001	E275-ST44	1
3	Outlet Valve	RV.45b-5/8			1
4	Pipe	Ø13x1	204.A13.010.000.270	EN10297-1 E235	1
5	Deep Drawn	Ø180x2,5 H:226	203.100.001.001.001	EN 10111-DD13	1
6	Deep Drawn	Ø180x2,5 H:226	103.100.002.001.000	EN 10111-DD13	1
7	Skirt With	Ø187x18,50 t:2,50	105.004.187.001.001	S235JR	1

**GENERAL NOTES**

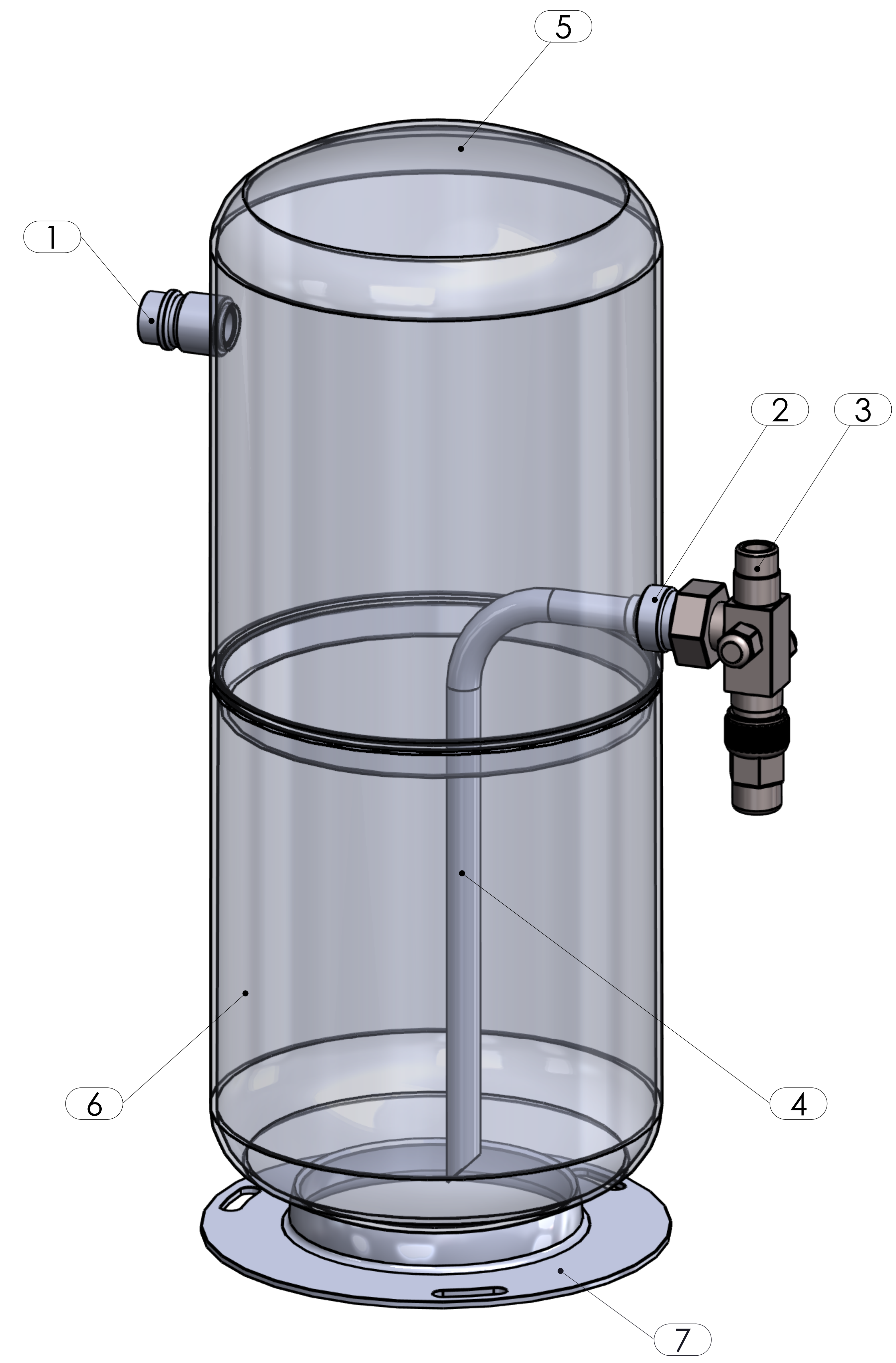
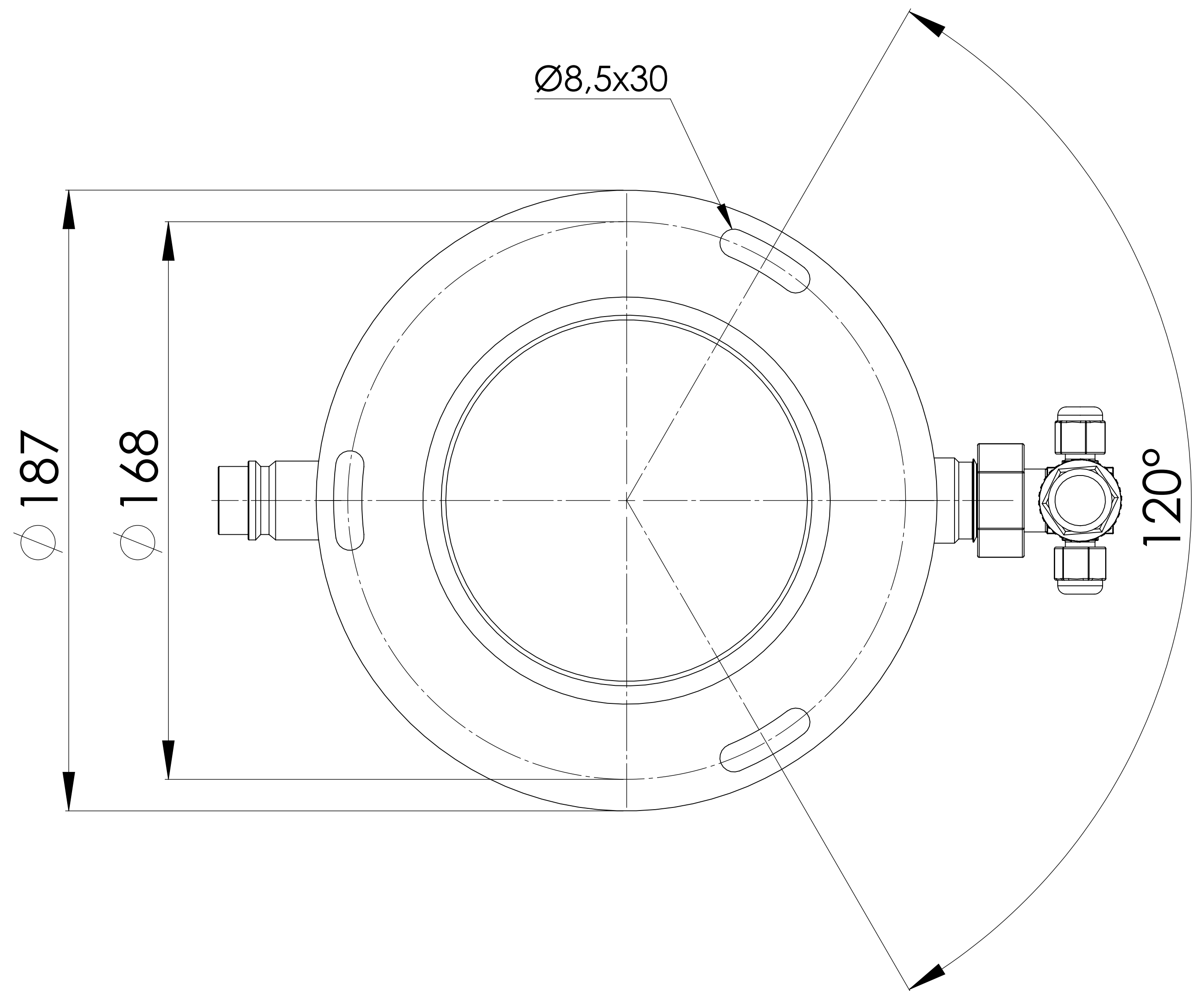
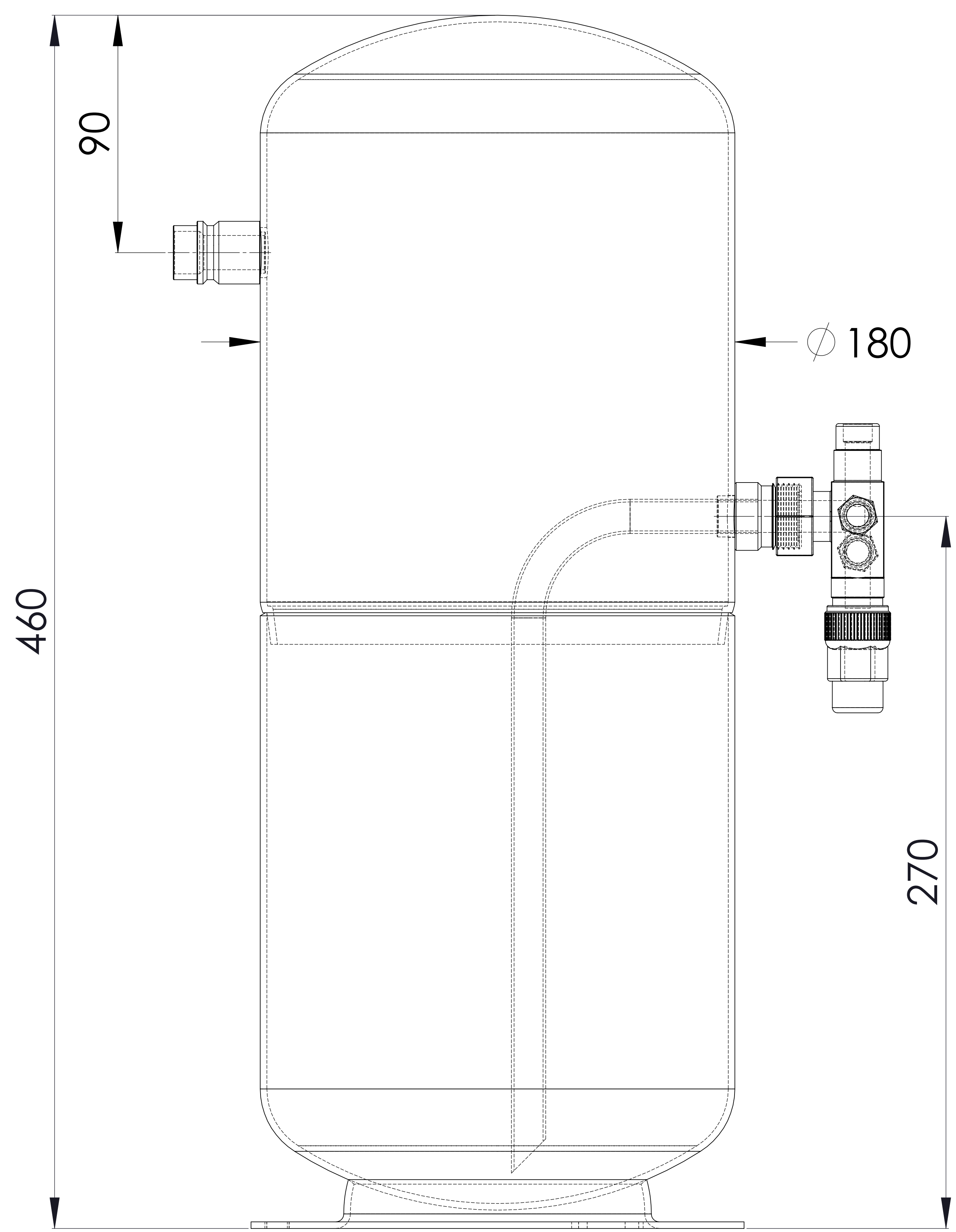
-Max. allowable operating pressure (PS) according to the temperature range;  
1) Allowable operating temperature : min. -20C° / max. +130C° PS1 = 30 Bar  
2) Allowable operating temperature : min. -40C° / max. -20C° PS2 = 22 Bar  
-Unless otherwise specified do not scale  
-Unless otherwise specified tube must be clean&free form burrs inside&outside&uitable for soldering  
-Unless otherwise specified do not scale indicated thickness are min. after forming or machining  
-Unless otherwise specified dimension tolerances according to EN 113445-4

**REVISIONS**

No	Details Of Change	Date	By
01			
02			
03			

**RELATED DRAWINGS**

No	Description	Drawing No
01		
02		



No	Assembly Codes	Qty
1	M005.000025	1



We reserve all rights in this document and in the information contained therein. Reproduction use or disclosure to third parties without express authority is strictly forbidden.