

Protistor® size 71 aR

750 to 1250VAC (IEC) / 1300VAC (UL)

SEMICONDUCTOR PROTECTION FUSES

SQUARE BODY HIGH-SPEED FUSE-LINKS AC PROTECTION



These 1250/1300V Protistor® fuse-links provide maximum flexibility in equipment design and ultimate protection for today's power conversion equipment. These aR ultra-fast acting square body fuse-links are available in different body sizes, each size having multiple worldwide acceptable mounting styles.

The Protistor® have been engineered to provide state-of-the-art protection for semiconductors: diodes, thyristors and IGBT devices. Fuses are assembled with die-cut elements embedded in solidified sand, which helps control arcing characteristics for a lower I^2t and high interrupting rating level. All contact surfaces are silver plated and all hardware is non-magnetic.

All fuse-links can be equipped with a low voltage trip-indicator which can operate a field mountable microswitch.

TECHNICAL DATA OVERVIEW

Voltage Range AC	750 ... 1250 VAC
Ampere Range (A)	160 ... 900 A
Speed/Characteristic	aR
I.R. AC	100 ... 150 kA
Product Size	71

FEATURES & BENEFITS

- Multiple body sizes and terminals or blades combination
- aR Class according to IEC 60269-4 and VDE 636-23
- Very low I^2t for improved semiconductor protection
- Ultra fast acting
- Current limiting
- Superior cycling capability

APPLICATIONS

- Protection of inverters, motor drives, UPS systems and similar 690V or less equipments.

STANDARDS

- IEC 60269-4 Compliance
- UL/CSA Recognized E76491
- CCC GB 13539.4



Protistor® size 71 aR

750 to 1250VAC (IEC) / 1300VAC (UL)

PRODUCT RANGE

Size 71 type TTI 5/16"-18 unified coarse threaded terminals

Catalog number	Reference number	Rated voltage AC (IEC)	Rated voltage AC (UL)	Rated current I _n	Pre-arcing I ² t	Clearing I ² t at Rated Voltage	Rated breaking capacity AC	Power dissipation at In	Weight	Package
A130UD71TTI160	B301025	1250 V	1300 V	160 A	2.6 kA ² s	21 kA ² s	100 kA	46 W	500 g	3
A130UD71TTI200	C301026	1250 V	1300 V	200 A	4.7 kA ² s	38 kA ² s	100 kA	54 W	500 g	3
A130UD71TTI250	D301027	1250 V	1300 V	250 A	8.9 kA ² s	72 kA ² s	100 kA	61 W	500 g	3
A130UD71TTI280	E301028	1250 V	1300 V	280 A	12 kA ² s	96 kA ² s	100 kA	68 W	500 g	3
A130UD71TTI315	F301029	1250 V	1300 V	315 A	16 kA ² s	129 kA ² s	100 kA	73 W	500 g	3
A130UD71TTI350	G301030	1250 V	1300 V	350 A	22 kA ² s	178 kA ² s	100 kA	76 W	500 g	3
A120UD71TTI550	L301034	1100 V	1200 V	550 A	84 kA ² s	548 kA ² s	100 kA	98 W	500 g	3
A120UD71TTI630	M301035	1000 V	1100 V	630 A	126 kA ² s	820 kA ² s	100 kA	105 W	500 g	3
A130UD71TTI400	H301031	1250 V	1300 V	400 A	38 kA ² s	308 kA ² s	100 kA	76 W	500 g	3
A130UD71TTI450	J301032	1250 V	1300 V	450 A	47 kA ² s	378 kA ² s	100 kA	87 W	500 g	3
A130UD71TTI500	K301033	1100 V	1200 V	500 A	68 kA ² s	441 kA ² s	100 kA	90 W	500 g	3



PC71UD13C450TF

Size 71 type TTF M8 threaded terminals

Catalog number	Reference number	Rated voltage AC (IEC)	Rated voltage AC (UL)	Rated current I _n	Pre-arcing I ² t	Clearing I ² t at Rated Voltage	Rated breaking capacity AC	Power dissipation at In	Weight	Package
PC71UD13C160TF	B300749	1250 V	1300 V	160 A	2.6 kA ² s	21 kA ² s	100 kA	46 W	515 g	3
PC71UD13C200TF	Z300517	1250 V	1300 V	200 A	4.7 kA ² s	38 kA ² s	100 kA	54 W	515 g	3
PC71UD13C250TF	A300518	1250 V	1300 V	250 A	8.9 kA ² s	72 kA ² s	100 kA	61 W	515 g	3
PC71UD13C280TF	P300715	1250 V	1300 V	280 A	12 kA ² s	96 kA ² s	100 kA	68 W	515 g	3
PC71UD13C315TF	B300519	1250 V	1300 V	315 A	16 kA ² s	129 kA ² s	100 kA	73 W	515 g	3
PC71UD13C350TF	C300520	1250 V	1300 V	350 A	22 kA ² s	178 kA ² s	100 kA	76 W	515 g	3
PC71UD13C400TF	D300521	1250 V	1300 V	400 A	38 kA ² s	308 kA ² s	100 kA	76 W	515 g	3
PC71UD13C450TF	E300522	1250 V	1300 V	450 A	47 kA ² s	378 kA ² s	100 kA	87 W	515 g	3
PC71UD11C500TF	F300523	1100 V	1200 V	500 A	68 kA ² s	441 kA ² s	100 kA	90 W	515 g	3
PC71UD11C550TF	G300524	1100 V	1200 V	550 A	84 kA ² s	548 kA ² s	100 kA	98 W	515 g	3
PC71UD11C630TF	H300525	1000 V	1100 V	630 A	126 kA ² s	725 kA ² s	150 kA	105 W	515 g	3
PC71UD10C700TF	M301288	1000 V	1100 V	700 A	180 kA ² s	1040 kA ² s	120 kA	105 W	515 g	3
PC71UD90V800TF	Z300862	900 V	950 V	800 A	290 kA ² s	1540 kA ² s	100 kA	116 W	515 g	3
PC71UD80V900TF	N301289	800 V	850 V	900 A	446 kA ² s	2010 kA ² s	100 kA	100 W	515 g	3
PC71UD75V10CTF	R301292	750 V	800 V	1000 A	556 kA ² s	2310 kA ² s	100 kA	129 W	515 g	3

Size 71 type long slotted blades

Catalog number	Reference number	Rated voltage AC (IEC)	Rated voltage AC (UL)	Rated current I _n	Pre-arcing I ² t	Clearing I ² t at Rated Voltage	Rated breaking capacity AC	Power dissipation at In	Weight	Package
A130UD71LLI160	E300752	1250 V	1300 V	160 A	2.6 kA ² s	21 kA ² s	100 kA	46 W	540 g	3
A130UD71LLI200	F300661	1250 V	1300 V	200 A	4.7 kA ² s	38 kA ² s	100 kA	54 W	540 g	3
A130UD71LLI250	G300662	1250 V	1300 V	250 A	8.9 kA ² s	72 kA ² s	100 kA	61 W	540 g	3
A130UD71LLI280	R300717	1250 V	1300 V	280 A	12 kA ² s	96 kA ² s	100 kA	70 W	540 g	3
A130UD71LLI315	H300663	1250 V	1300 V	315 A	16 kA ² s	129 kA ² s	100 kA	76 W	540 g	3
A130UD71LLI350	J300664	1250 V	1300 V	350 A	22 kA ² s	178 kA ² s	100 kA	80 W	540 g	3
A130UD71LLI400	K300665	1250 V	1300 V	400 A	38 kA ² s	308 kA ² s	100 kA	80 W	540 g	3
A130UD71LLI450	L300666	1250 V	1300 V	450 A	47 kA ² s	378 kA ² s	100 kA	95 W	540 g	3
A120UD71LLI500	M300667	1100 V	1200 V	500 A	68 kA ² s	441 kA ² s	100 kA	100 W	540 g	3
A120UD71LLI550	N300668	1100 V	1200 V	550 A	84 kA ² s	548 kA ² s	100 kA	112 W	540 g	3
A110UD71LLI630	P300669	1000 V	1100 V	630 A	126 kA ² s	725 kA ² s	120 kA	120 W	540 g	3

MERSEN reserves the right to change, update or correct, without notice, any information contained in this datasheet.

Protistor® size 71 aR

750 to 1250VAC (IEC) / 1300VAC (UL)

PRODUCT RANGE

Size 71 type NH style blade contacts

Catalog number	Reference number	Rated voltage AC (IEC)	Rated voltage AC (UL)	Rated current I _n	Pre-arcing I ² t	Clearing I ² t at Rated Voltage	Rated breaking capacity AC	Power dissipation at I _n	Weight	Package
PC71UD13C160PA	M301219	1250 V	1300 V	160 A	2.6 kA ² s	21 kA ² s	100 kA	46 W	560 g	3
PC71UD13C200PA	G301835	1250 V	1300 V	200 A	4.7 kA ² s	38 kA ² s	100 kA	54 W	560 g	3
PC71UD13C250PA	B301163	1250 V	1300 V	250 A	8.9 kA ² s	72 kA ² s	100 kA	61 W	560 g	3
PC71UD13C315PA	A300840	1250 V	1300 V	315 A	16 kA ² s	129 kA ² s	100 kA	76 W	560 g	3
PC71UD13C350PA	H1000070	1250 V	1300 V	350 A	22 kA ² s	178 kA ² s	100 kA	80 W	560 g	3
PC71UD13C400PA	Q301222	1250 V	1300 V	400 A	38 kA ² s	308 kA ² s	100 kA	80 W	560 g	3
PC71UD13C450PA	W302975	1250 V	1300 V	450 A	47 kA ² s	378 kA ² s	100 kA	95 W	560 g	3

Size 71 type DIN110

Catalog number	Reference number	Rated voltage AC (IEC)	Rated voltage AC (UL)	Rated current I _n	Pre-arcing I ² t	Clearing I ² t at Rated Voltage	Rated breaking capacity AC	Power dissipation at I _n	Weight	Package
PC71UD13C160D1A	D300751	1250 V	1300 V	160 A	2.6 kA ² s	21 kA ² s	100 kA	46 W	520 g	3
PC71UD13C200D1A	E300545	1250 V	1300 V	200 A	4.7 kA ² s	38 kA ² s	100 kA	54 W	520 g	3
PC71UD13C250D1A	F300546	1250 V	1300 V	250 A	8.9 kA ² s	72 kA ² s	100 kA	61 W	520 g	3
PC71UD10C630D1A	N300553	1000 V	1100 V	630 A	125 kA ² s	725 kA ² s	150 kA	120 W	520 g	3
PC71UD12C280D1A	K300711	1250 V	1300 V	280 A	12 kA ² s	96 kA ² s	100 kA	70 W	520 g	3
PC71UD12C315D1A	G300547	1250 V	1300 V	315 A	16 kA ² s	129 kA ² s	100 kA	76 W	520 g	3
PC71UD13C350D1A	H300548	1250 V	1300 V	350 A	22 kA ² s	178 kA ² s	100 kA	80 W	520 g	3
PC71UD13C400D1A	J300549	1250 V	1300 V	400 A	38 kA ² s	308 kA ² s	100 kA	80 W	520 g	3
PC71UD13C450D1A	K300550	1250 V	1300 V	450 A	47 kA ² s	378 kA ² s	100 kA	95 W	520 g	3
PC71UD11C500D1A	L300551	1100 V	1200 V	500 A	68 kA ² s	441 kA ² s	150 kA	100 W	520 g	3
PC71UD13C550D1A	M300552	1100 V	1200 V	550 A	84 kA ² s	548 kA ² s	150 kA	112 W	520 g	3

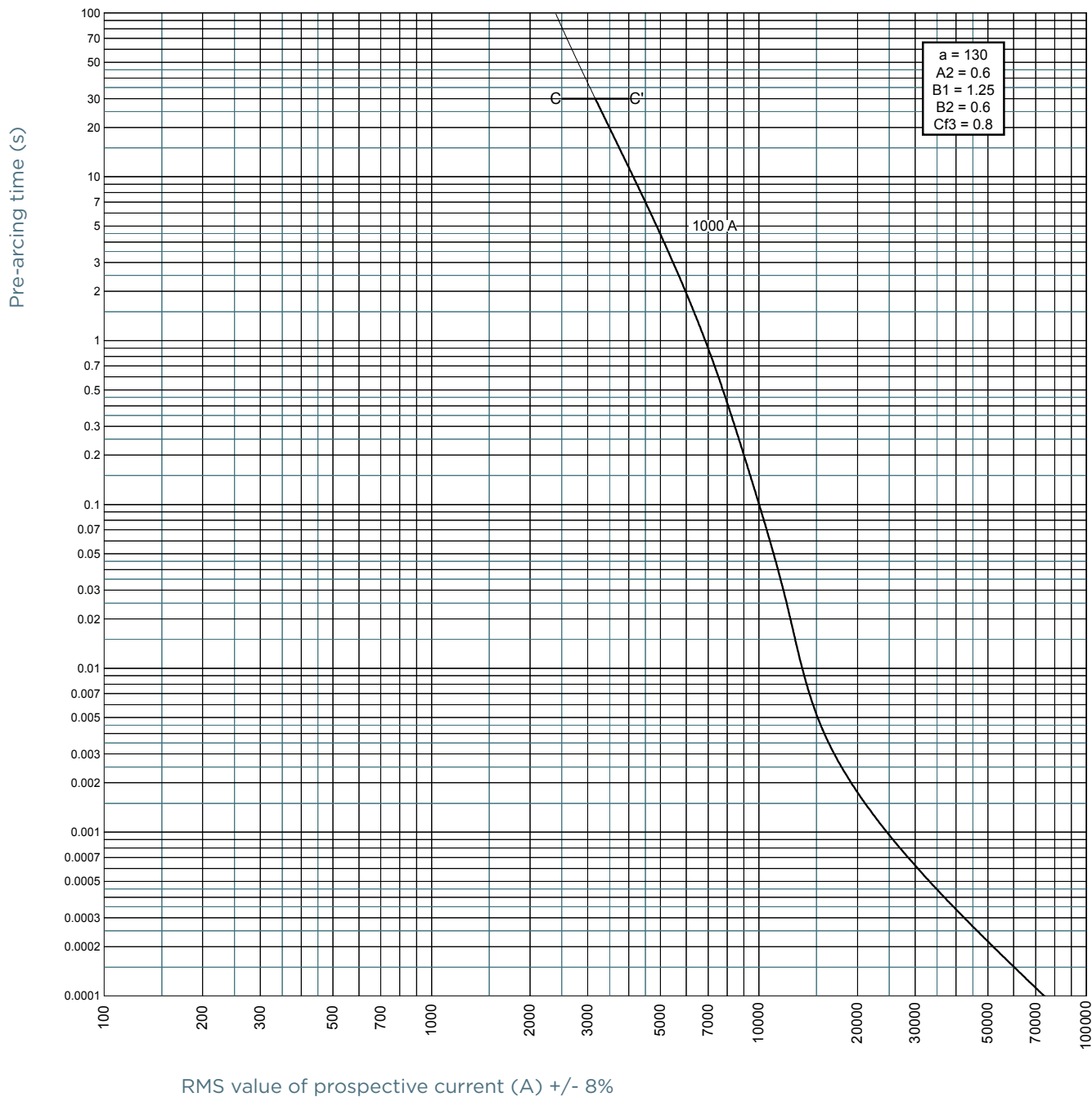
Size 71 type EF style notched blade connections

Catalog number	Reference number	Rated voltage AC (IEC)	Rated voltage AC (UL)	Rated current I _n	Pre-arcing I ² t	Clearing I ² t at Rated Voltage	Rated breaking capacity AC	Power dissipation at I _n	Weight	Package
PC71UD13C160EF	C300750	1250 V	1300 V	160 A	2.6 kA ² s	21 kA ² s	100 kA	46 W	540 g	3
PC71UD13C200EF	Z300609	1250 V	1300 V	200 A	4.7 kA ² s	38 kA ² s	100 kA	54 W	540 g	3
PC71UD13C250EF	A300610	1250 V	1300 V	250 A	8.9 kA ² s	72 kA ² s	100 kA	61 W	540 g	3
PC71UD13C280EF	M300713	1250 V	1300 V	280 A	12 kA ² s	96 kA ² s	100 kA	70 W	540 g	3
PC71UD10C630EF	H300617	1000 V	1100 V	630 A	126 kA ² s	725 kA ² s	150 kA	120 W	540 g	3
PC71UD13C315EF	B300611	1250 V	1300 V	315 A	16 kA ² s	129 kA ² s	100 kA	76 W	540 g	3
PC71UD13C350EF	C300612	1250 V	1300 V	350 A	22 kA ² s	178 kA ² s	100 kA	80 W	540 g	3
PC71UD13C400EF	D300613	1250 V	1300 V	400 A	38 kA ² s	308 kA ² s	100 kA	80 W	540 g	3
PC71UD13C450EF	E300614	1250 V	1300 V	450 A	47 kA ² s	378 kA ² s	100 kA	95 W	540 g	3
PC71UD11C500EF	F300615	1100 V	1200 V	500 A	68 kA ² s	441 kA ² s	150 kA	100 W	540 g	3
PC71UD11C550EF	G300616	1100 V	1200 V	550 A	84 kA ² s	548 kA ² s	150 kA	112 W	540 g	3

MERSEN reserves the right to change, update or correct, without notice, any information contained in this datasheet.

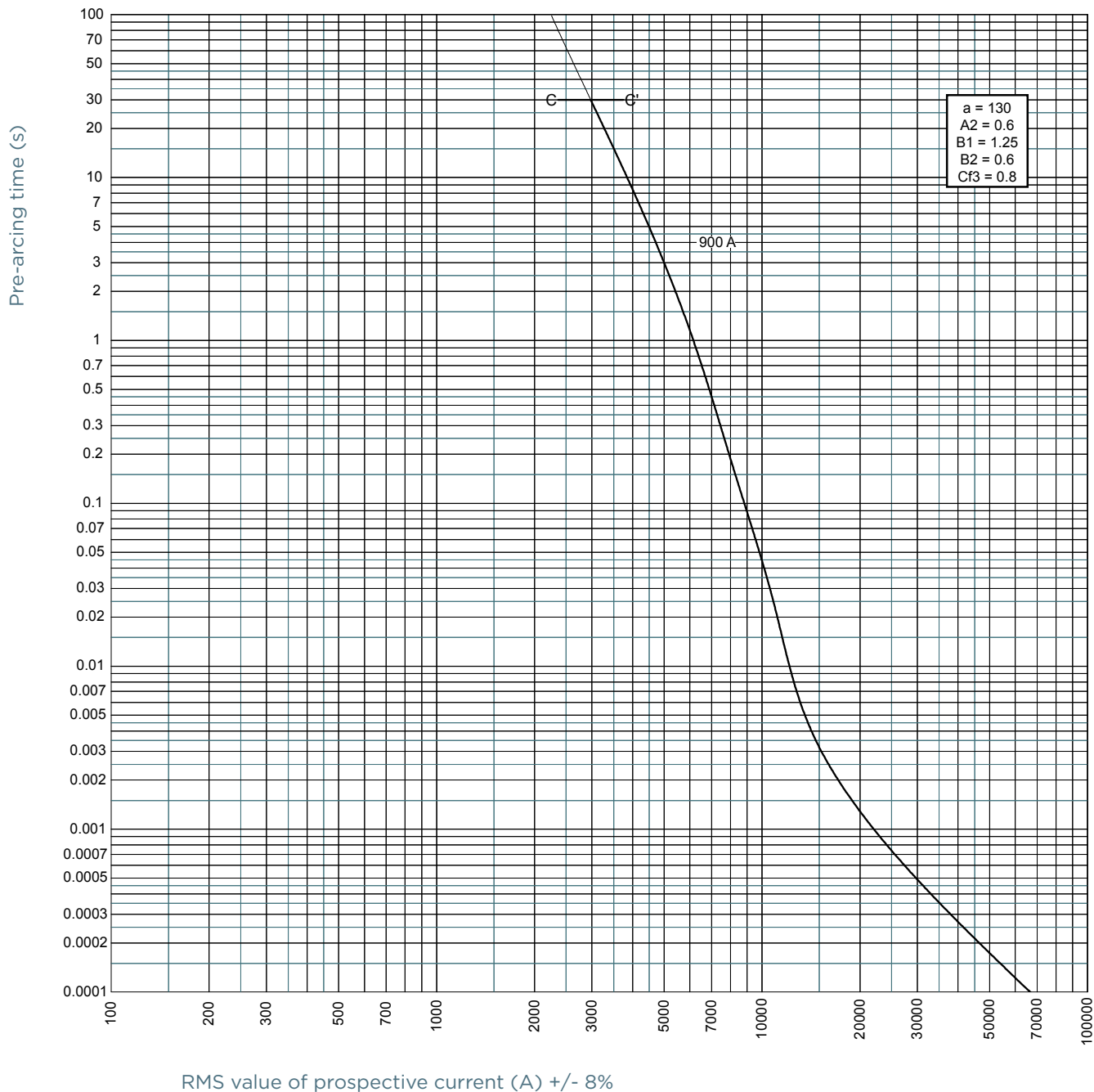
TIME CURRENT CHARACTERISTIC CURVES

size 71 aR 750V 1000A



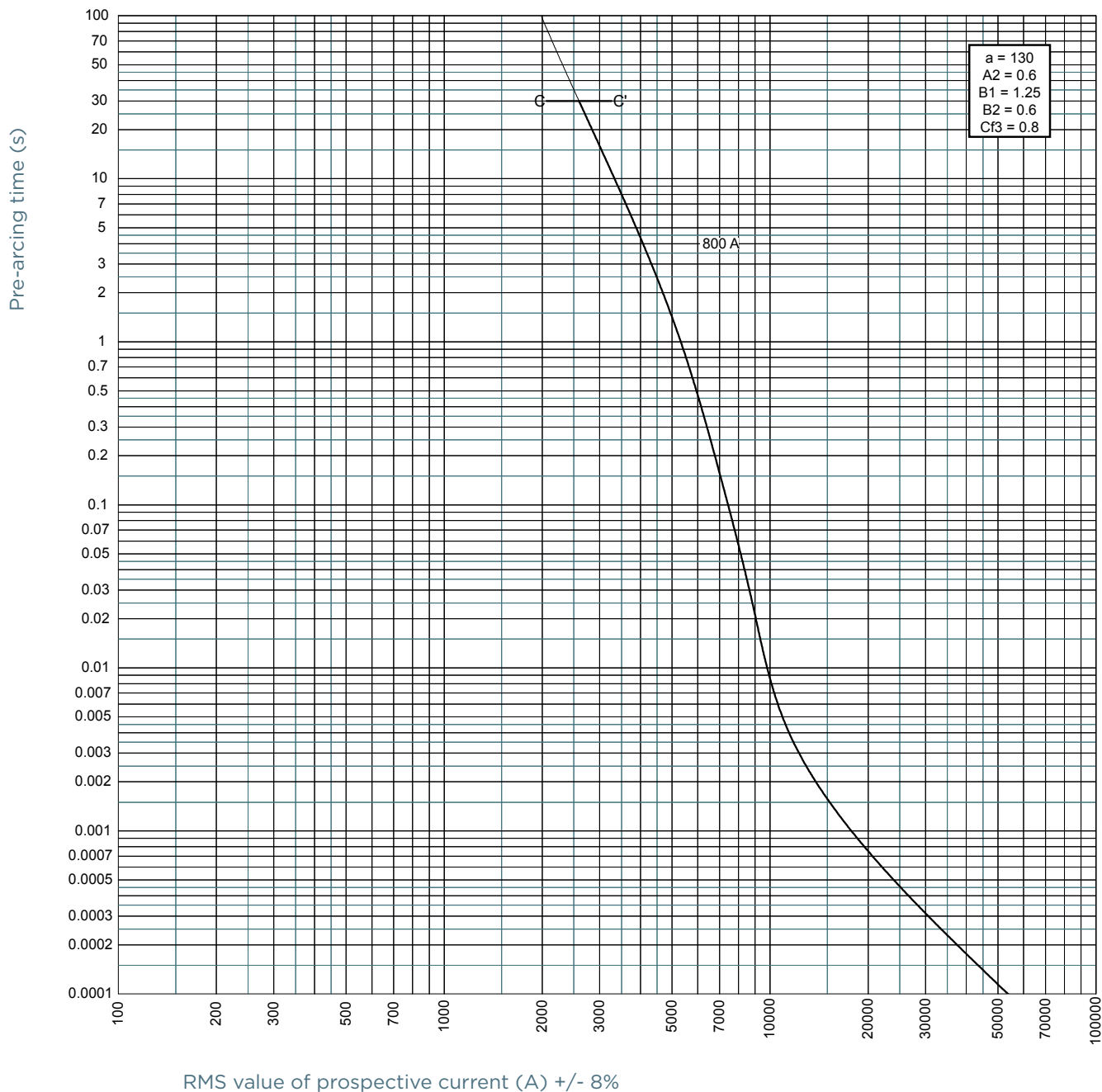
TIME CURRENT CHARACTERISTIC CURVES

size 71 aR 800V 900A



TIME CURRENT CHARACTERISTIC CURVES

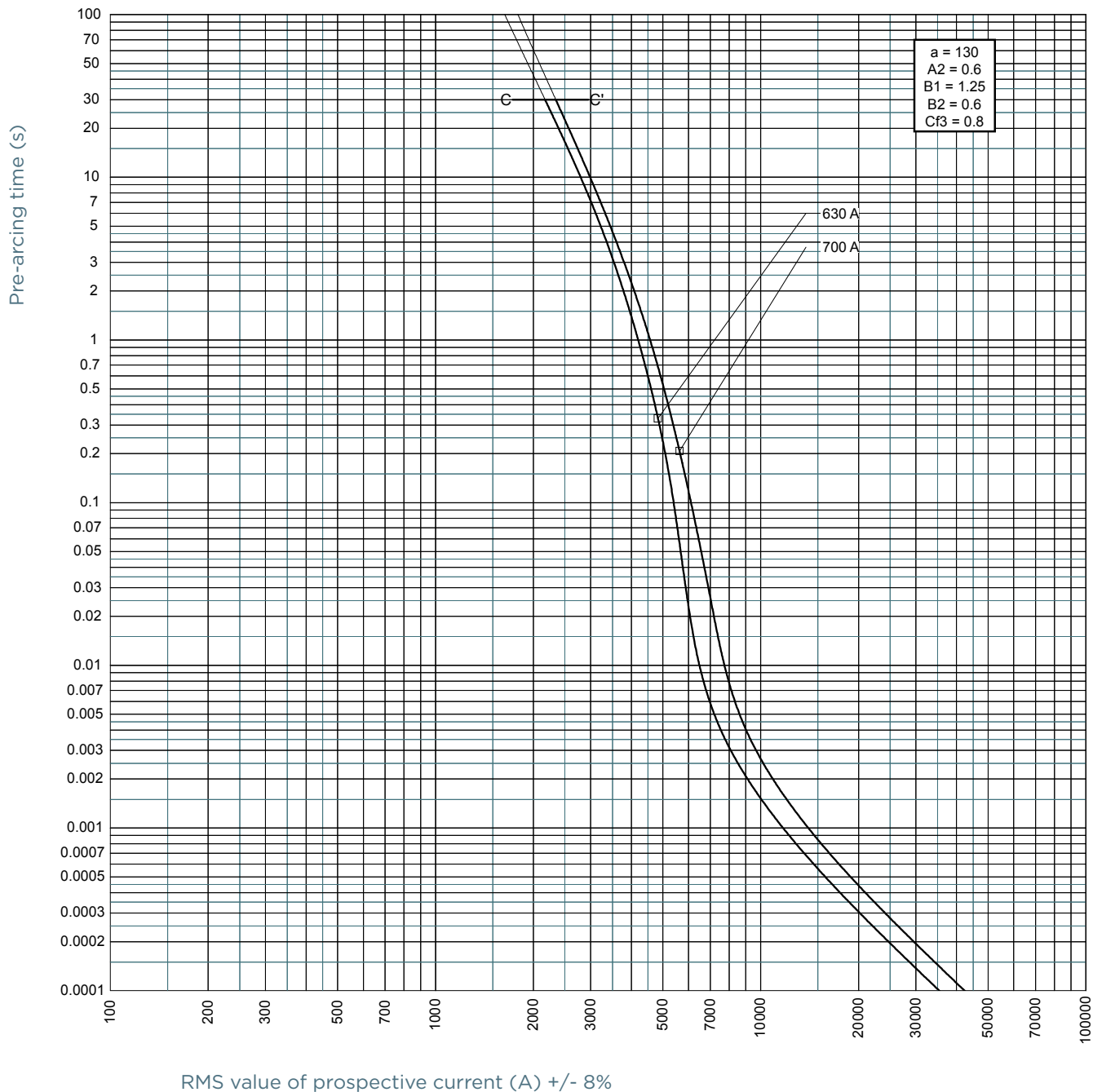
size 71 aR 900V 800A



MERSEN reserves the right to change, update or correct, without notice, any information contained in this datasheet.

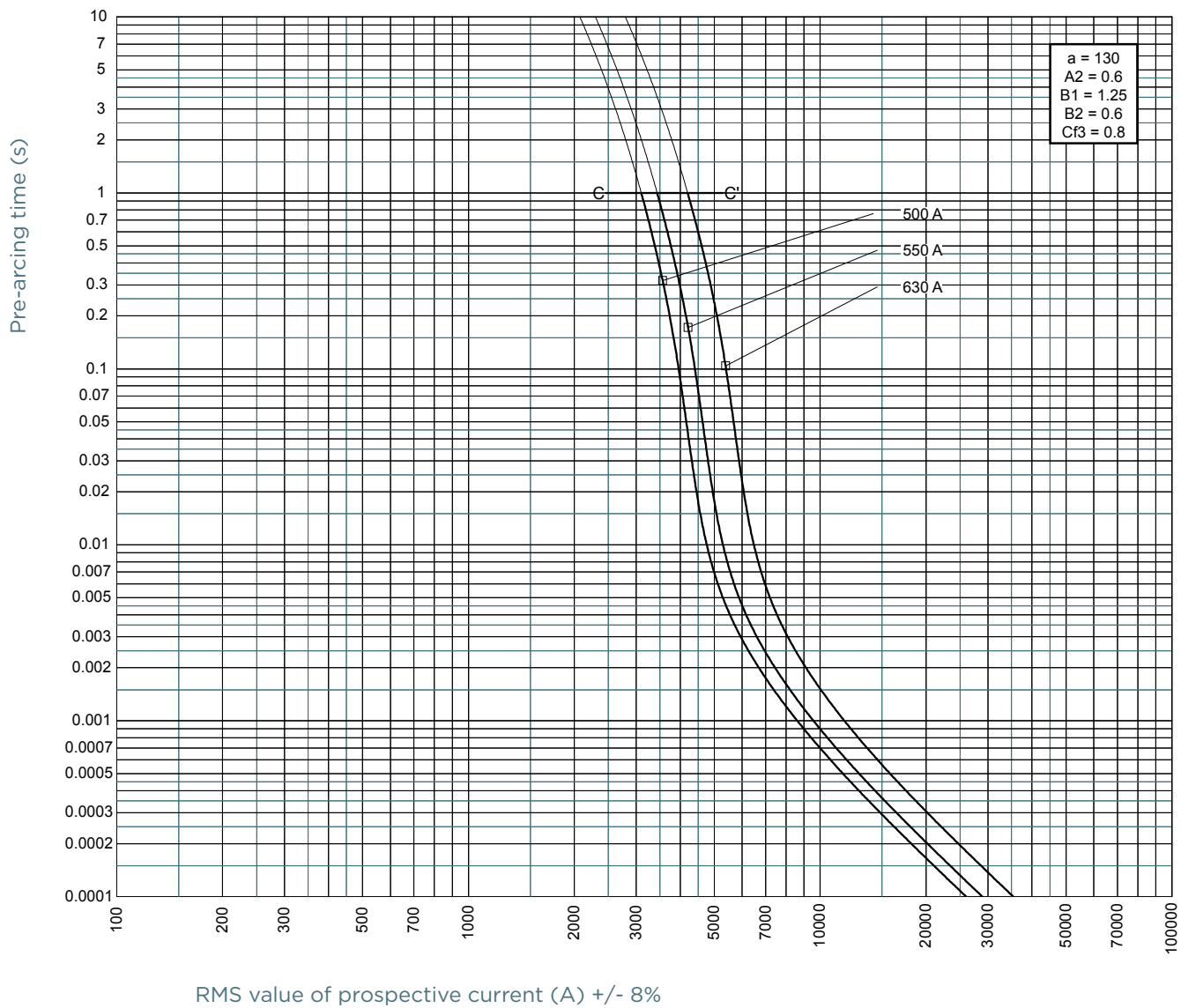
TIME CURRENT CHARACTERISTIC CURVES

size 71 aR 1000V 630-700A



TIME CURRENT CHARACTERISTIC CURVES

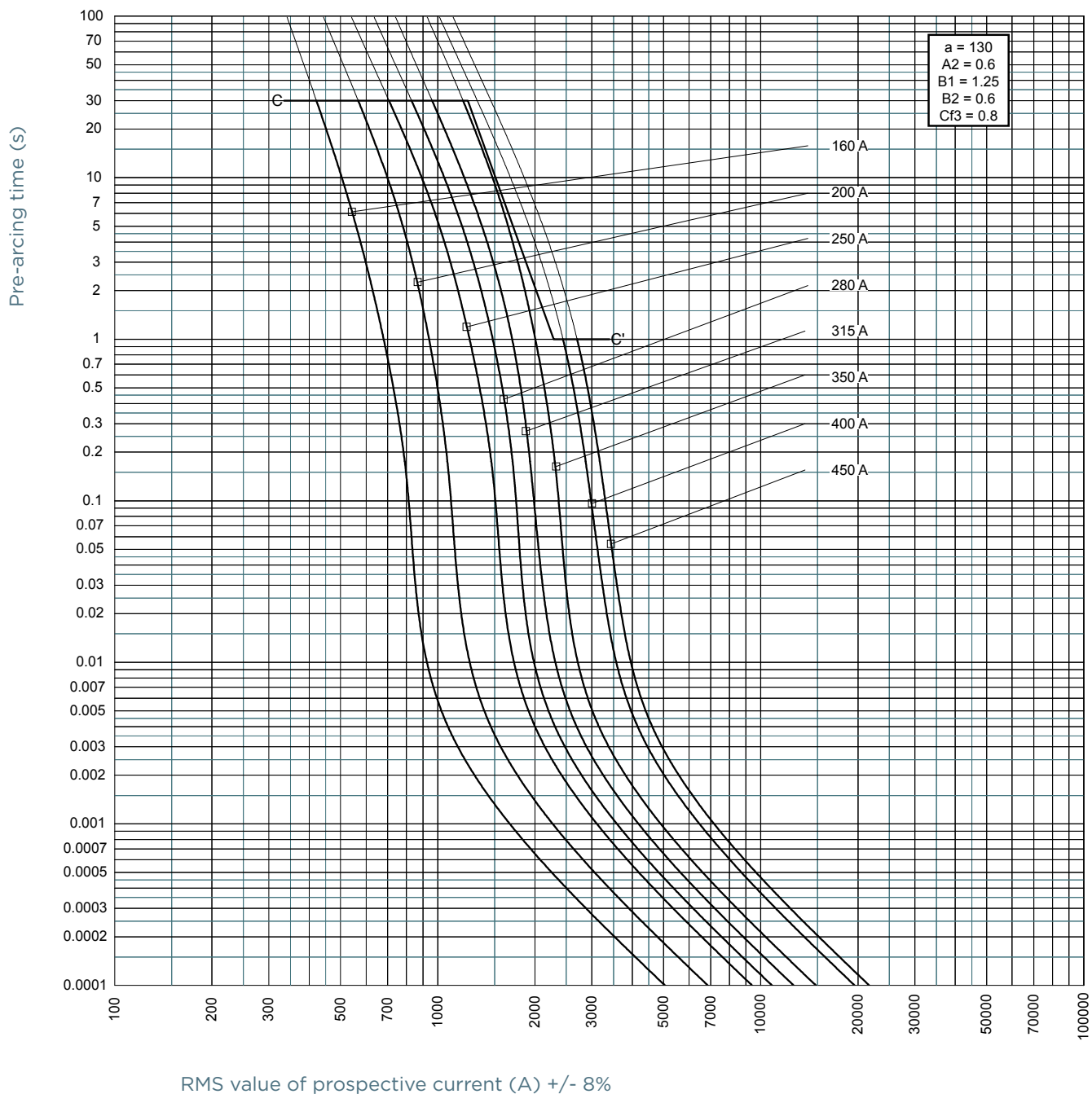
size 71 aR 1100V 500-630A



MERSEN reserves the right to change, update or correct, without notice, any information contained in this datasheet.

TIME CURRENT CHARACTERISTIC CURVES

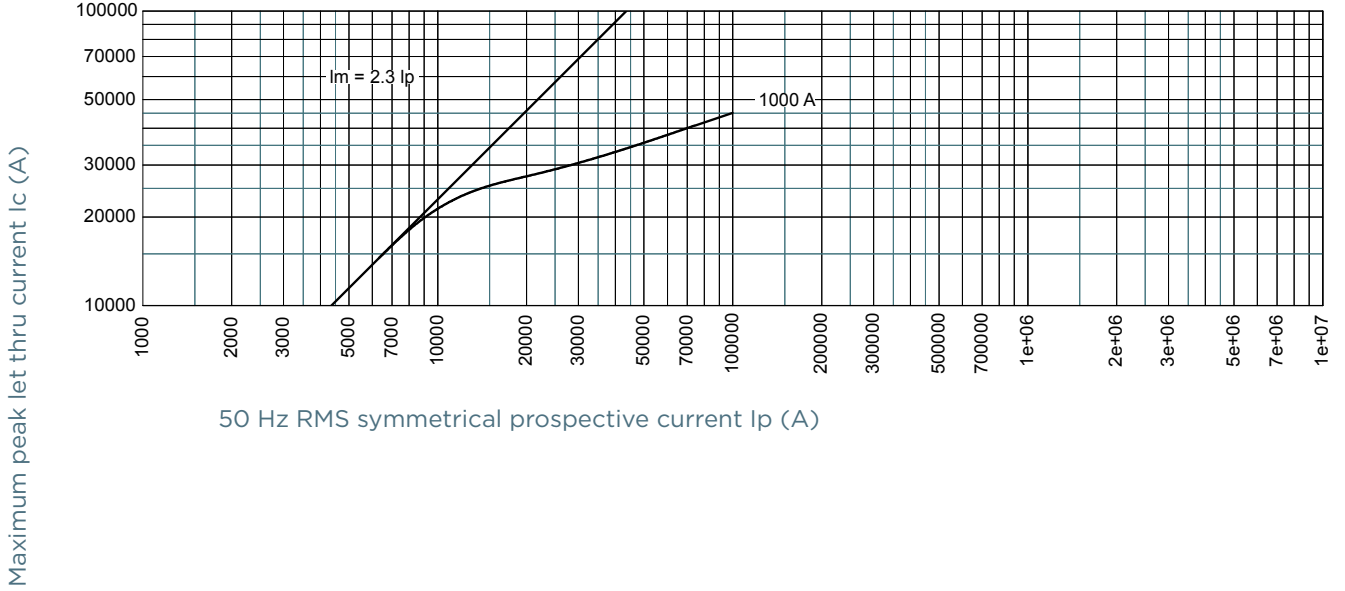
size 71 aR 1250V 160-450A



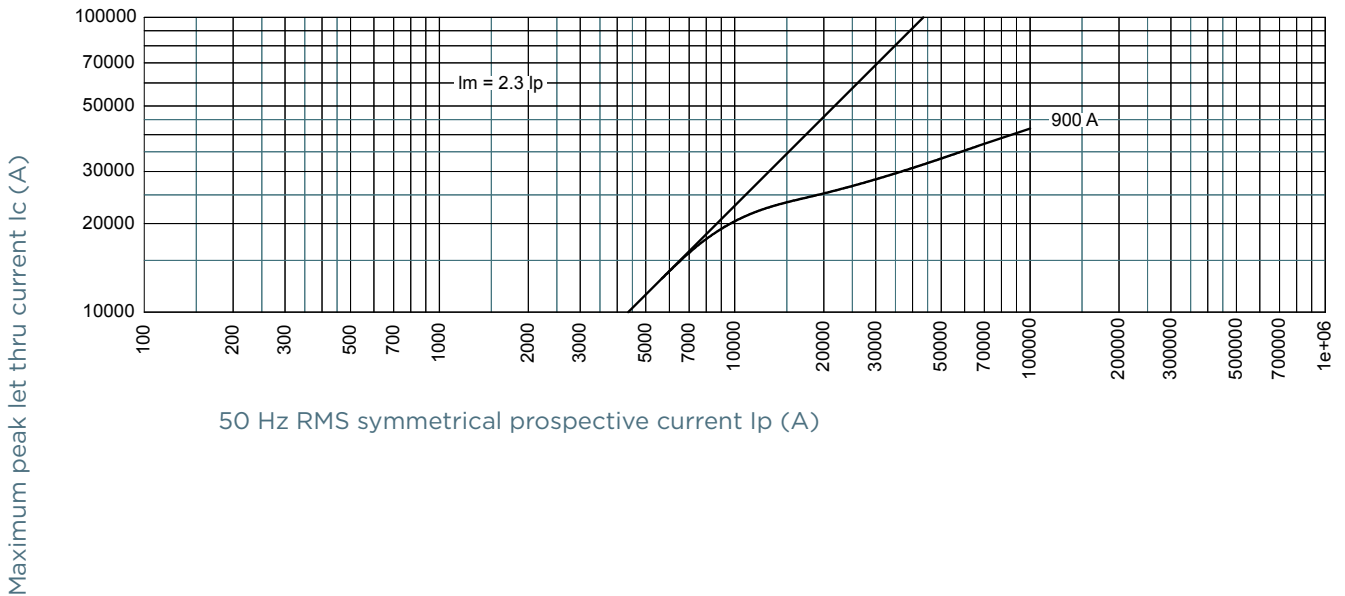
MERSEN reserves the right to change, update or correct, without notice, any information contained in this datasheet.

CUT-OFF CURRENT CHARACTERISTIC

size 71 aR 750V 1000A



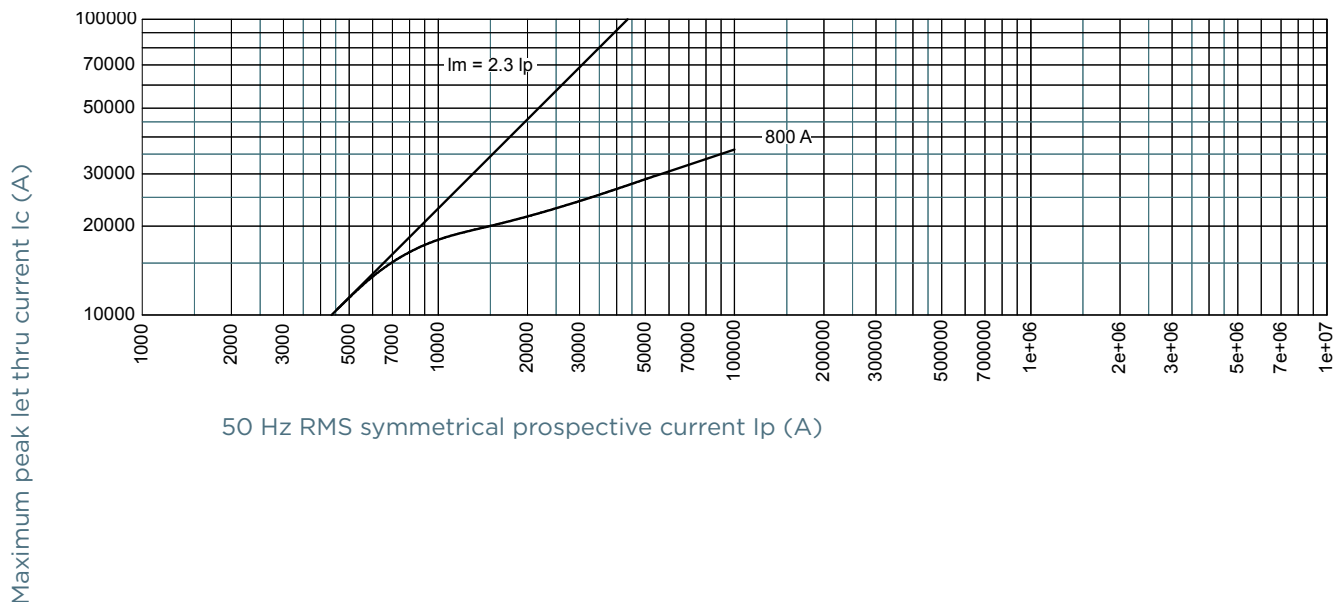
size 71 aR 800V 900A



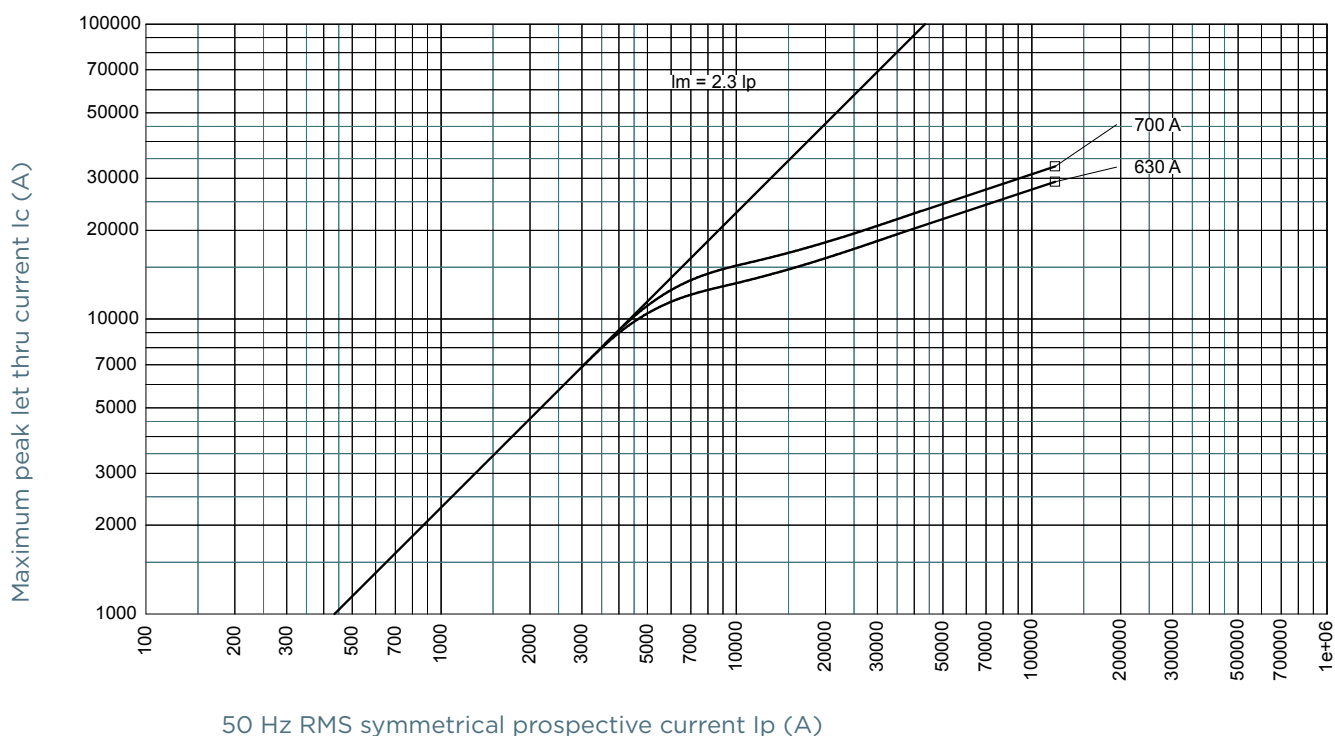
MERSEN reserves the right to change, update or correct, without notice, any information contained in this datasheet.

CUT-OFF CURRENT CHARACTERISTIC

size 71 aR 900V 800A

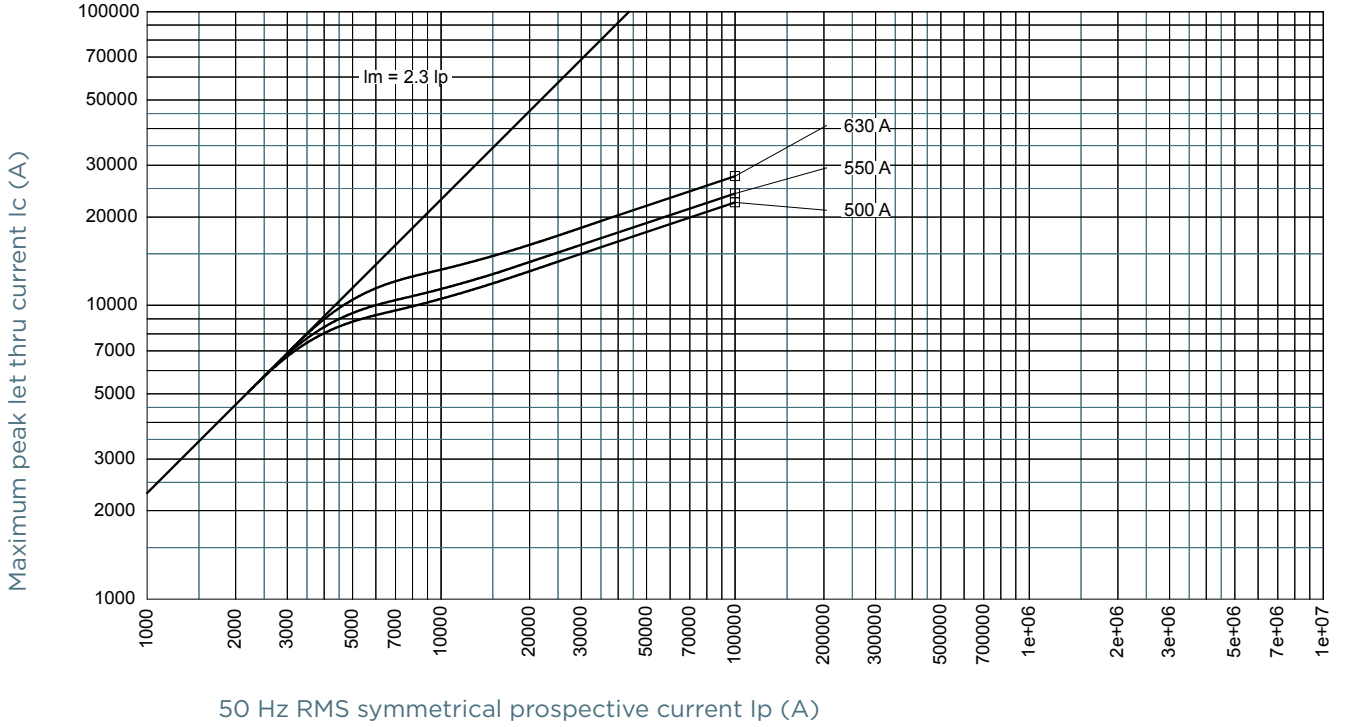


size 71 aR 1000V 630-700A

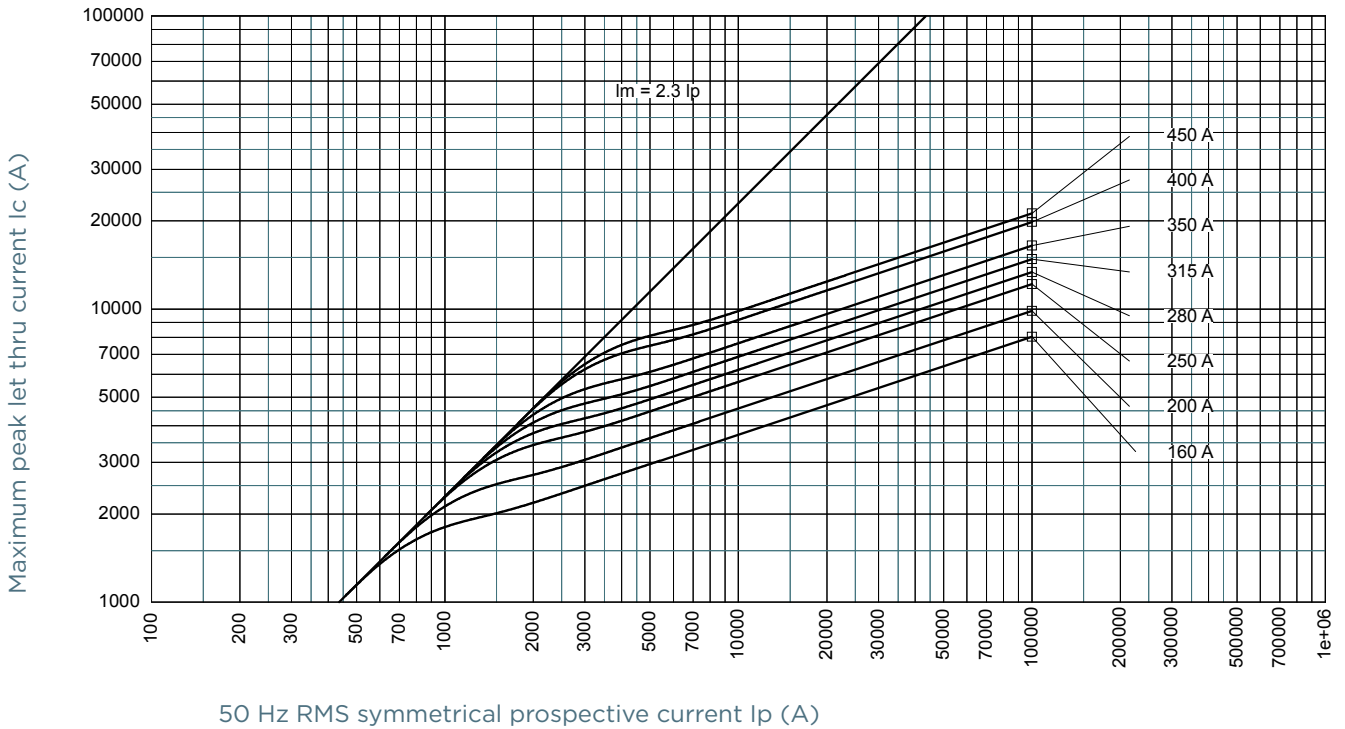


CUT-OFF CURRENT CHARACTERISTIC

size 71 aR 1100V 500-630A



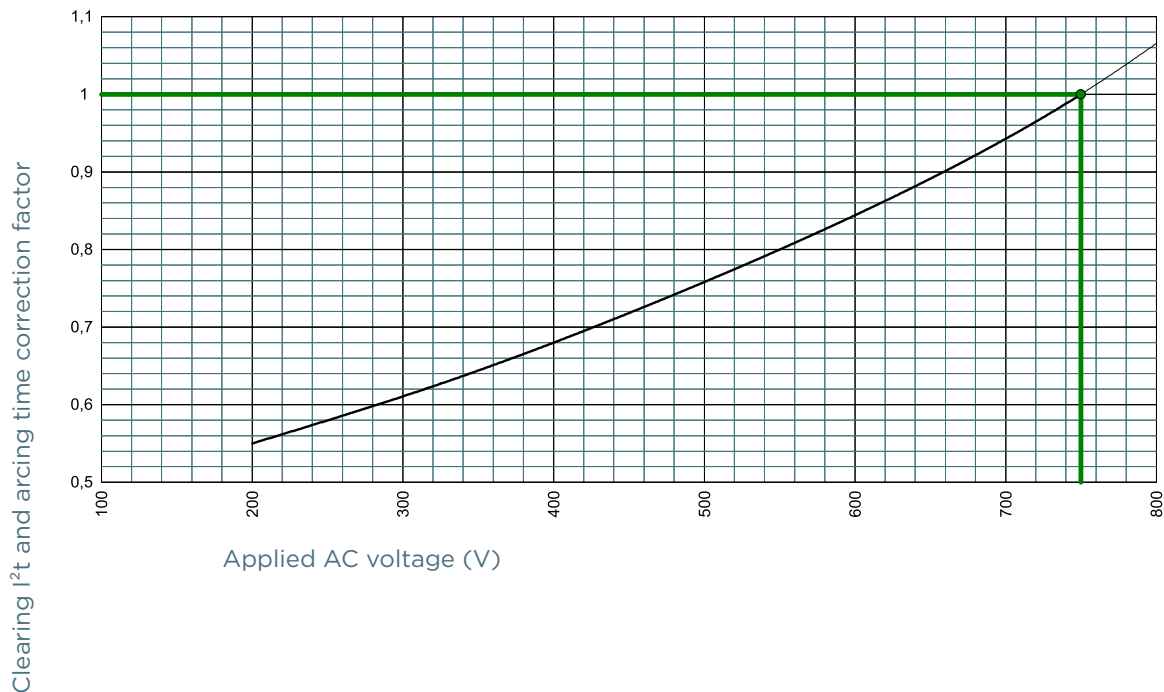
size 71 aR 1250V 160-450A



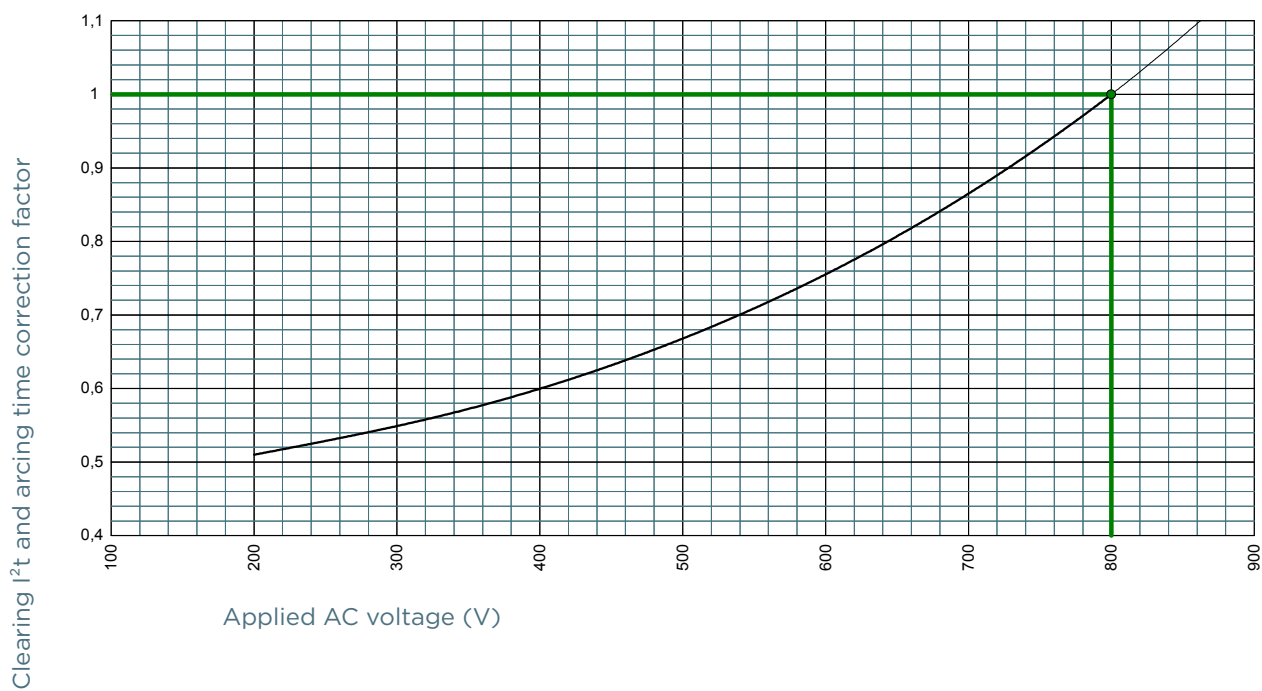
MERSEN reserves the right to change, update or correct, without notice, any information contained in this datasheet.

I²T MULTIPLIER COEFFICIENT

Size 71 aR 750V

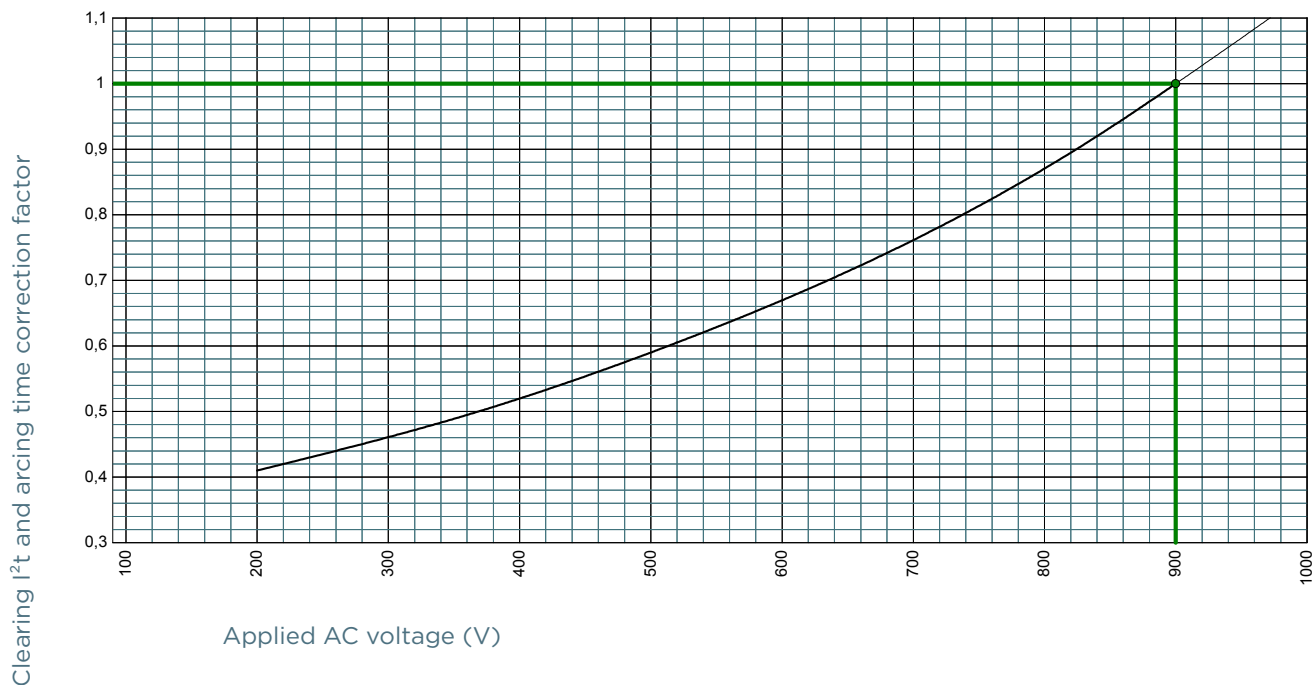


Size 71 aR 800V

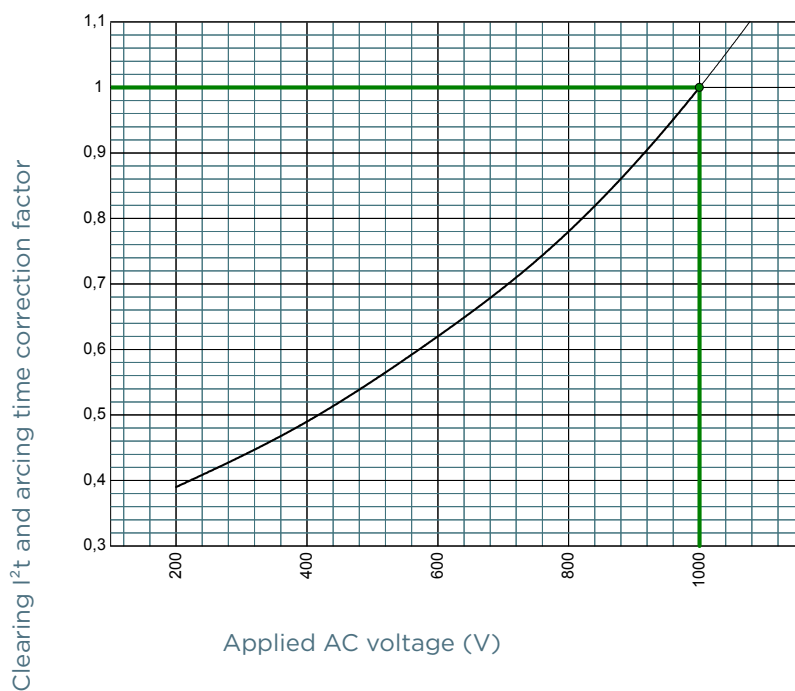


I²T MULTIPLIER COEFFICIENT

Size 71 aR 900V

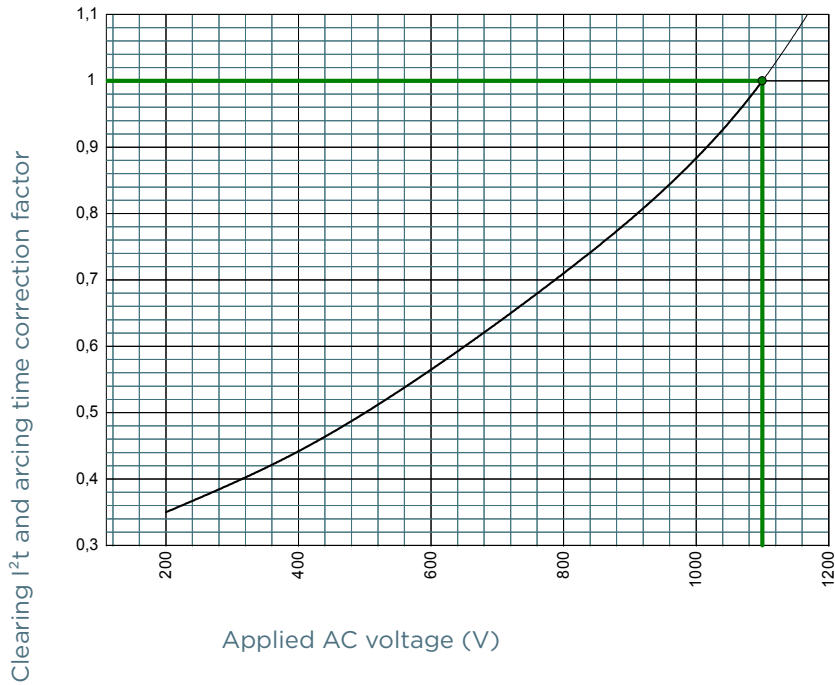


Size 71 aR 1000V

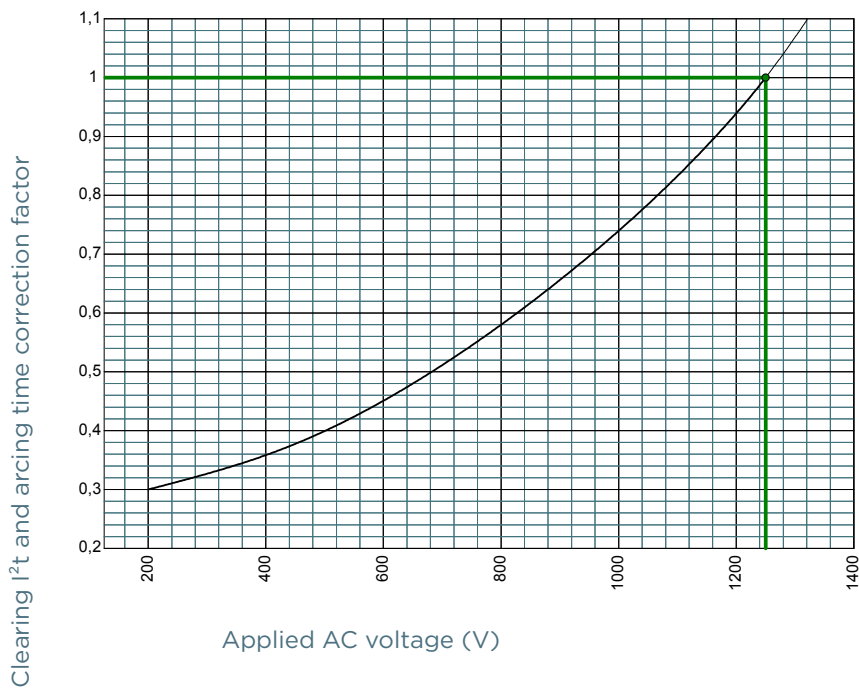


I²T MULTIPLIER COEFFICIENT

Size 71 aR 1100V



Size 71 aR 1250V

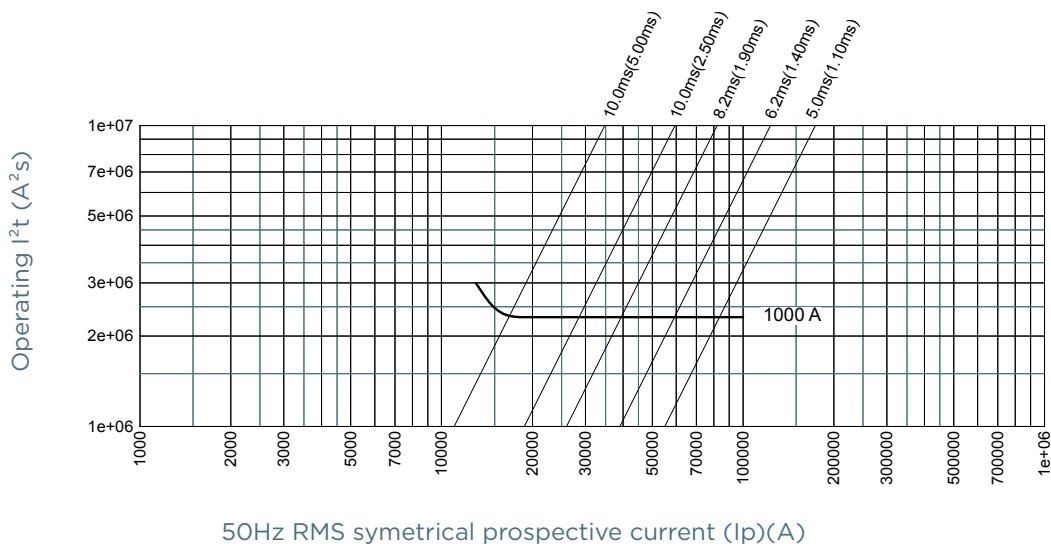


Protistor® size 71 aR

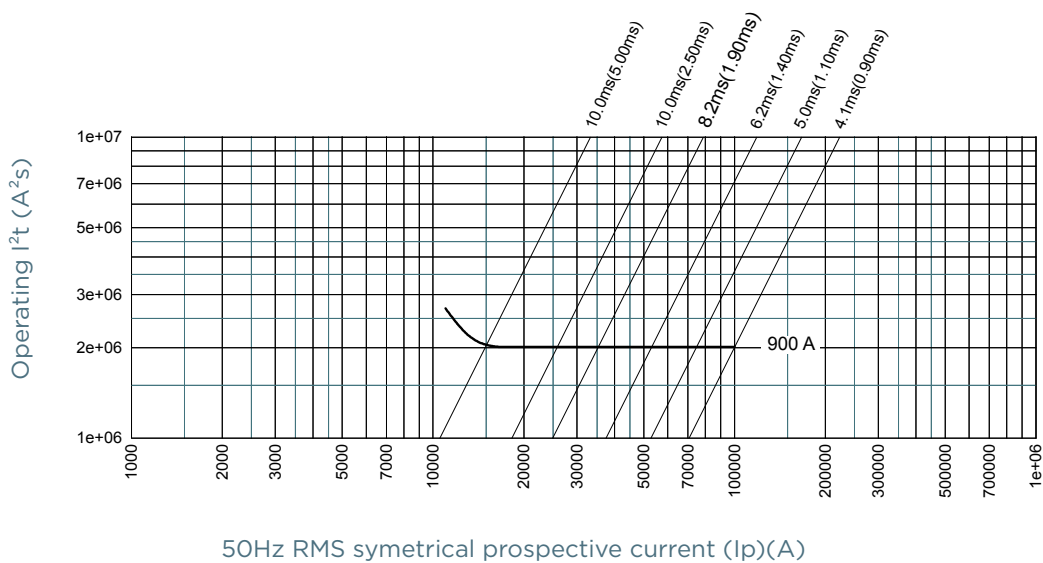
750 to 1250VAC (IEC) / 1300VAC (UL)

CHARACTERISTICS TOTAL I²T CURVE

Size 71 aR 750V



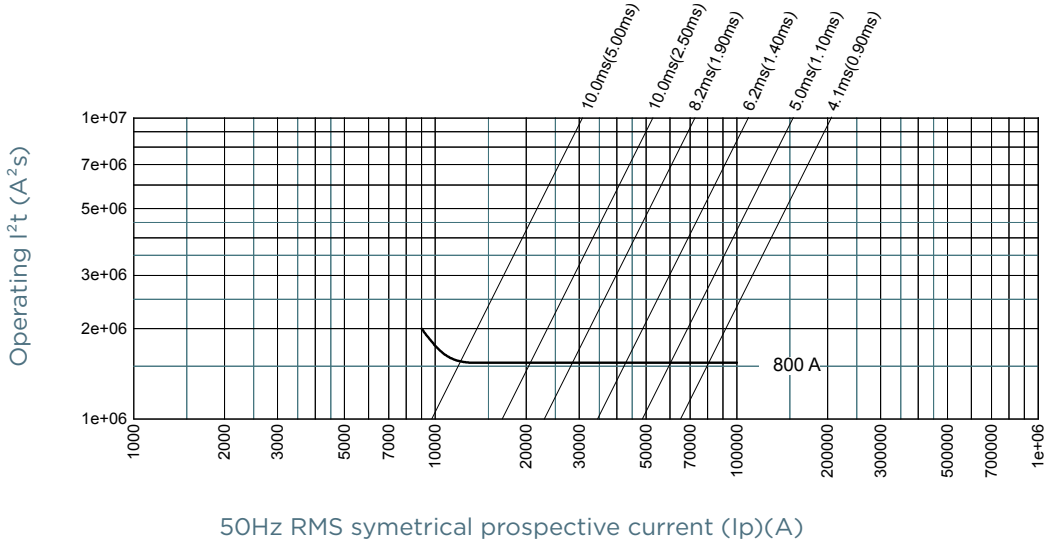
Size 71 aR 800V



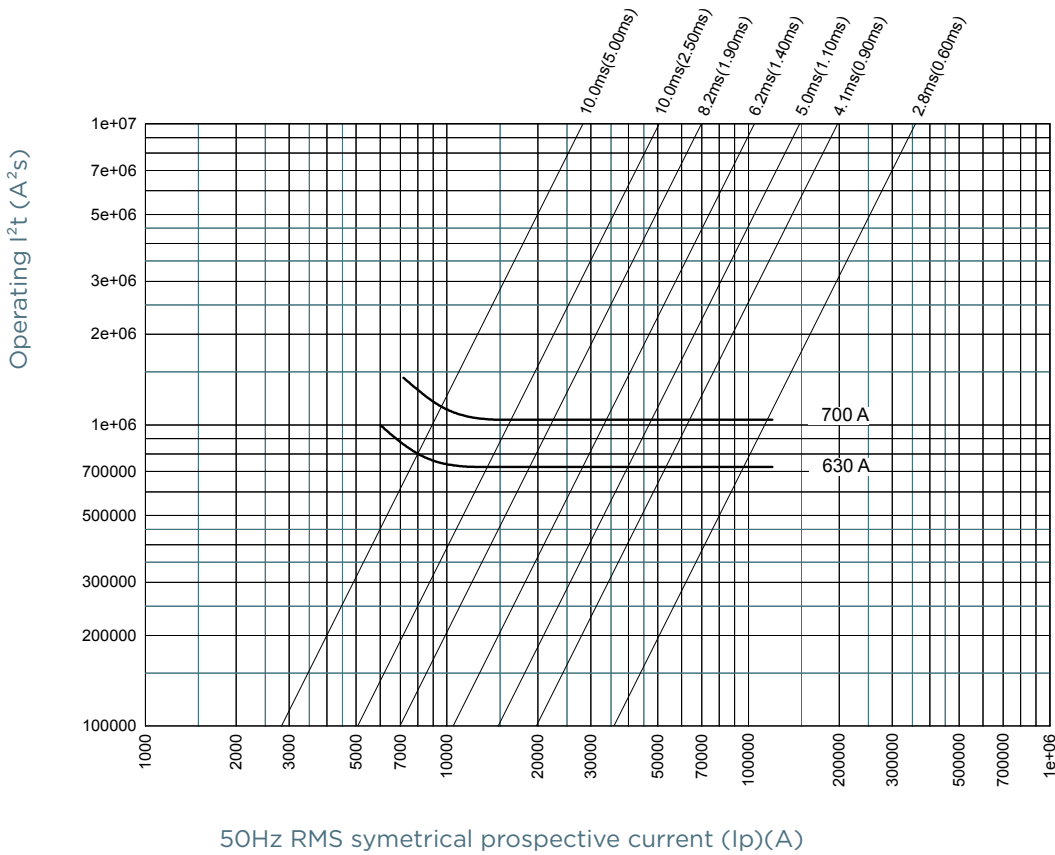
MERSEN reserves the right to change, update or correct, without notice, any information contained in this datasheet.

CHARACTERISTICS TOTAL I²T CURVE

Size 71 aR 900V

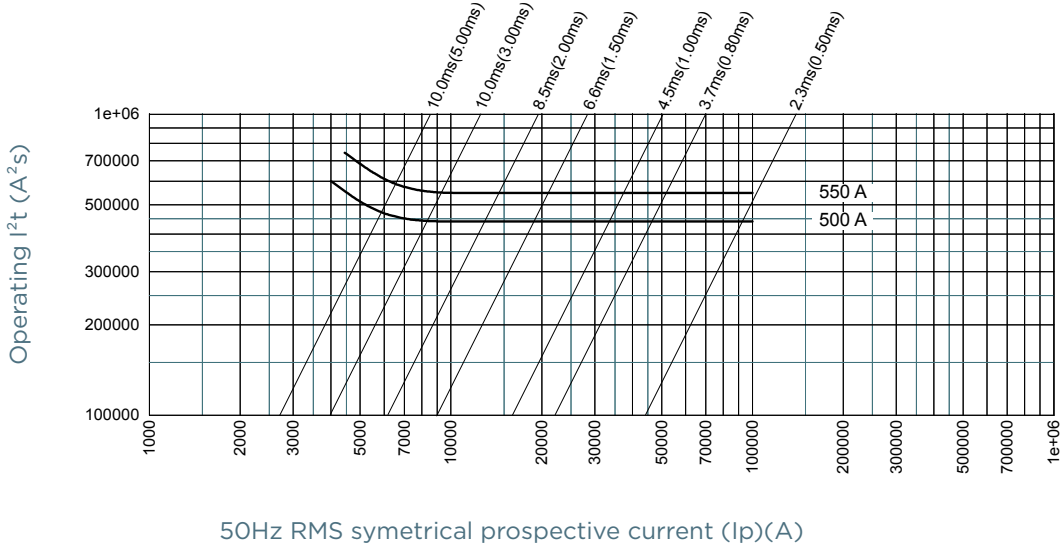


Size 71 aR 1000V

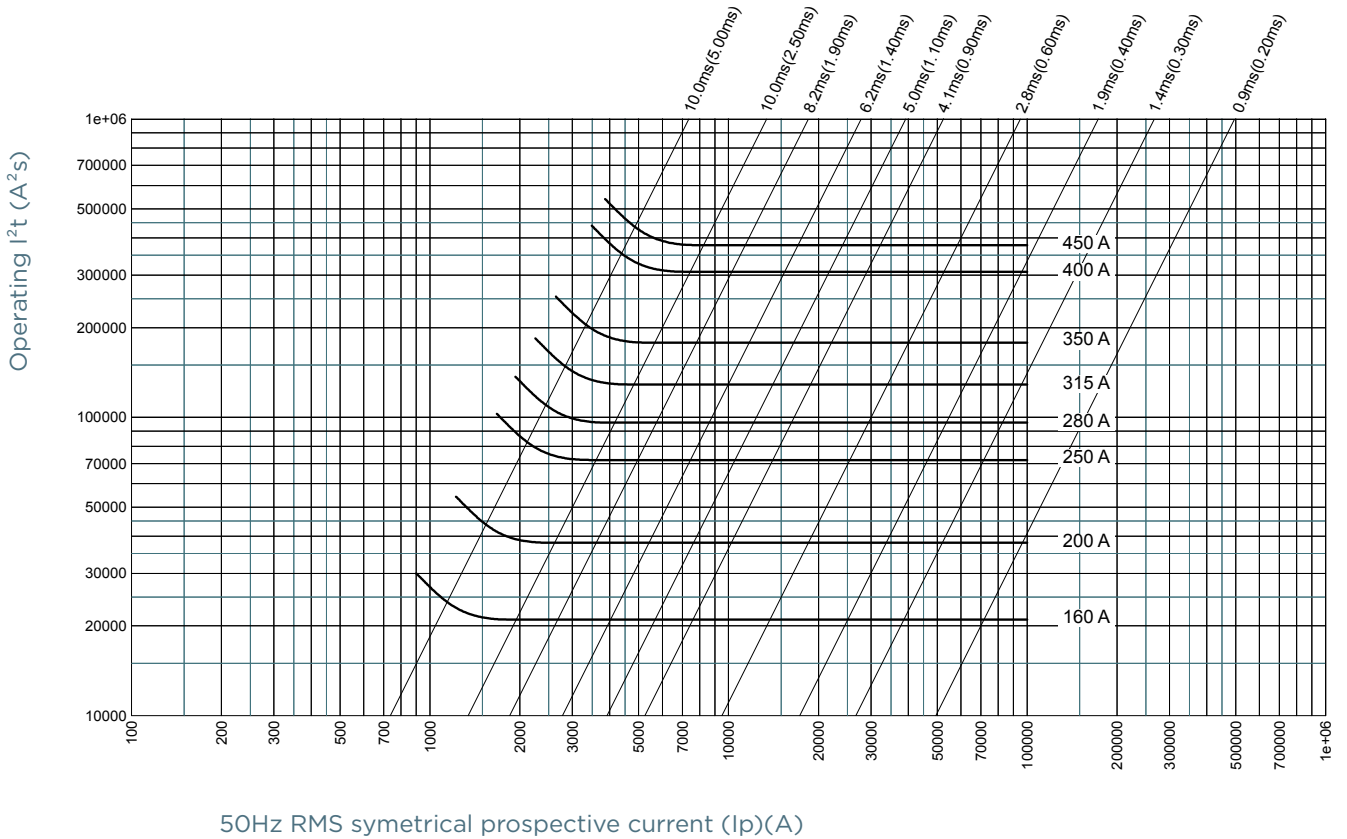


CHARACTERISTICS TOTAL I²T CURVE

Size 71 aR 1100V



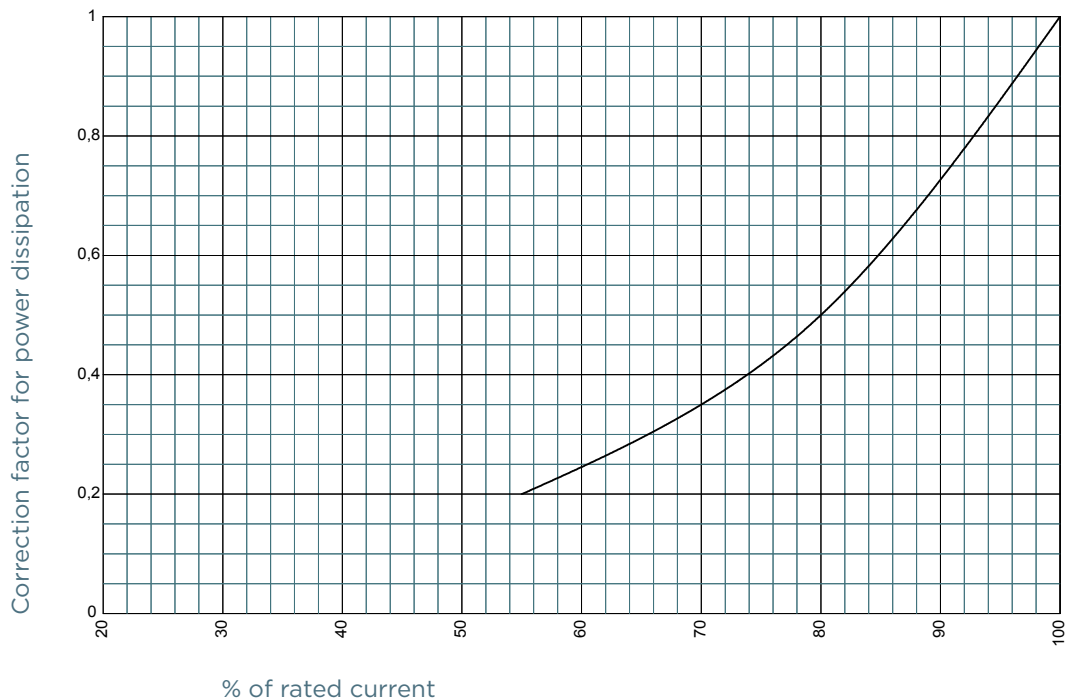
Size 71 aR 1250V



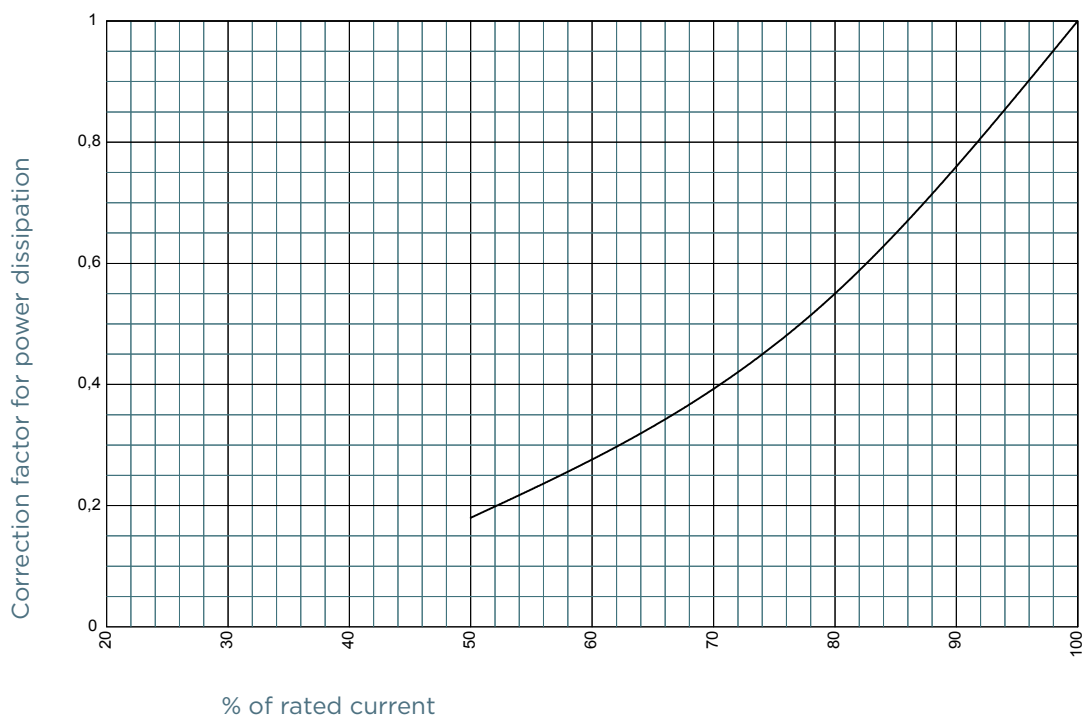
MERSEN reserves the right to change, update or correct, without notice, any information contained in this datasheet.

POWER DISSIPATION

Size 71 aR 500-1000A

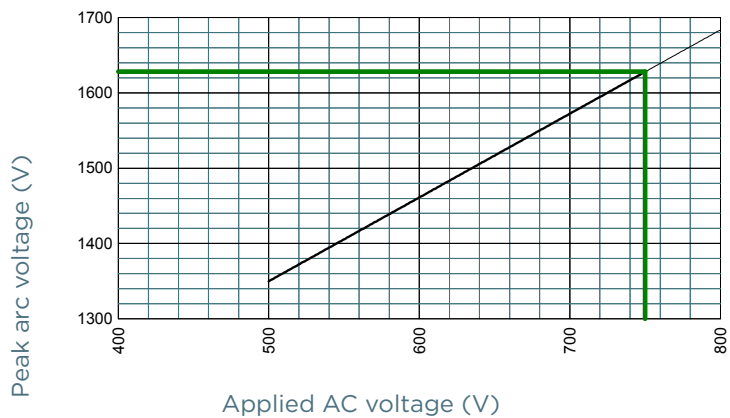


Size 71 aR 160-450A

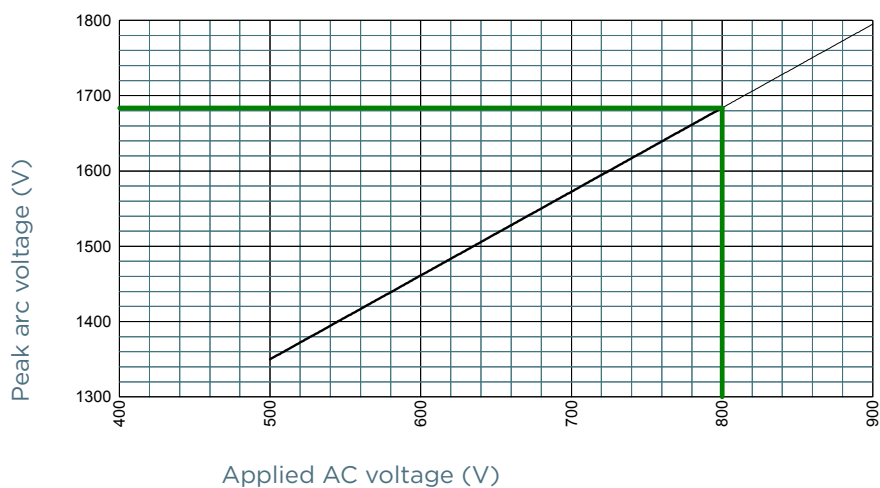


PEAK ARC VOLTAGE

Size 71 aR 750V

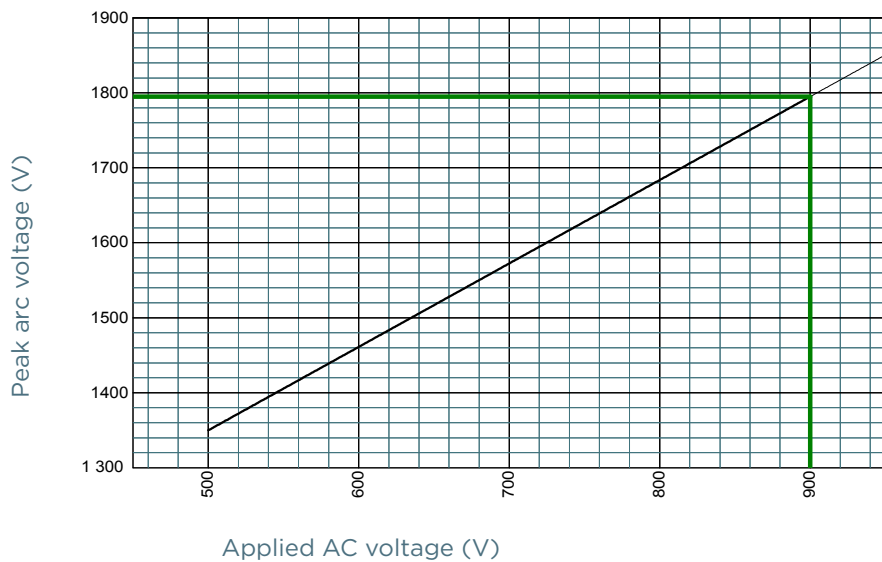


Size 71 aR 800V

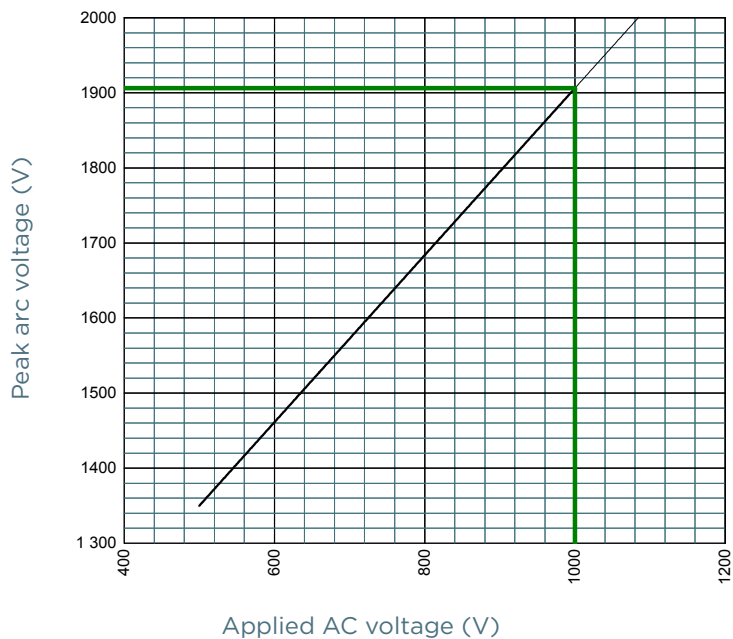


PEAK ARC VOLTAGE

Size 71 aR 900V

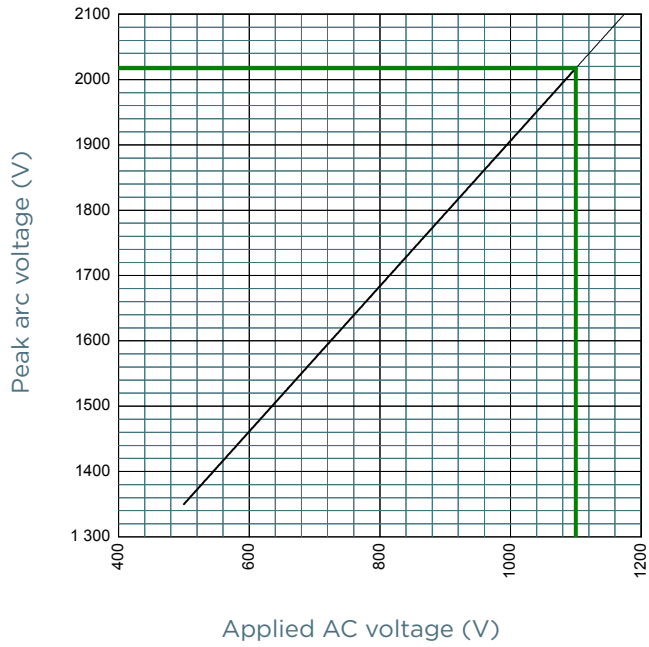


Size 71 aR 1000V

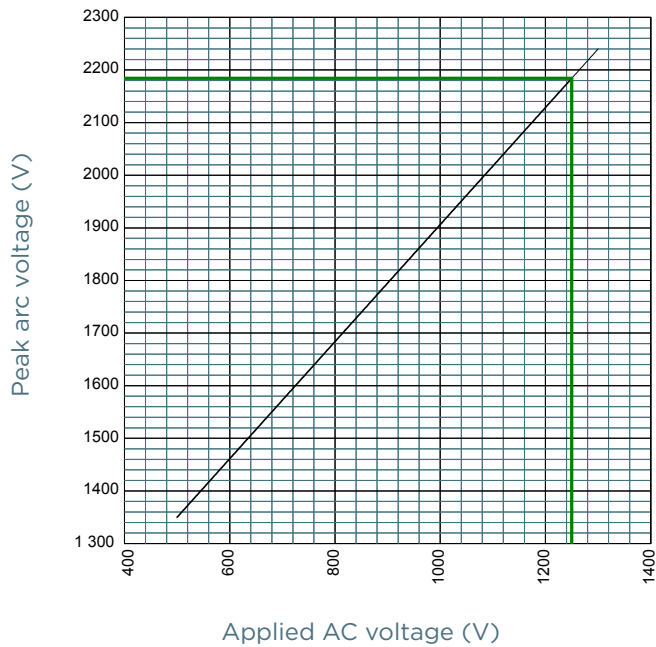


PEAK ARC VOLTAGE

Size 71 aR 1100V



Size 71 aR 1250V

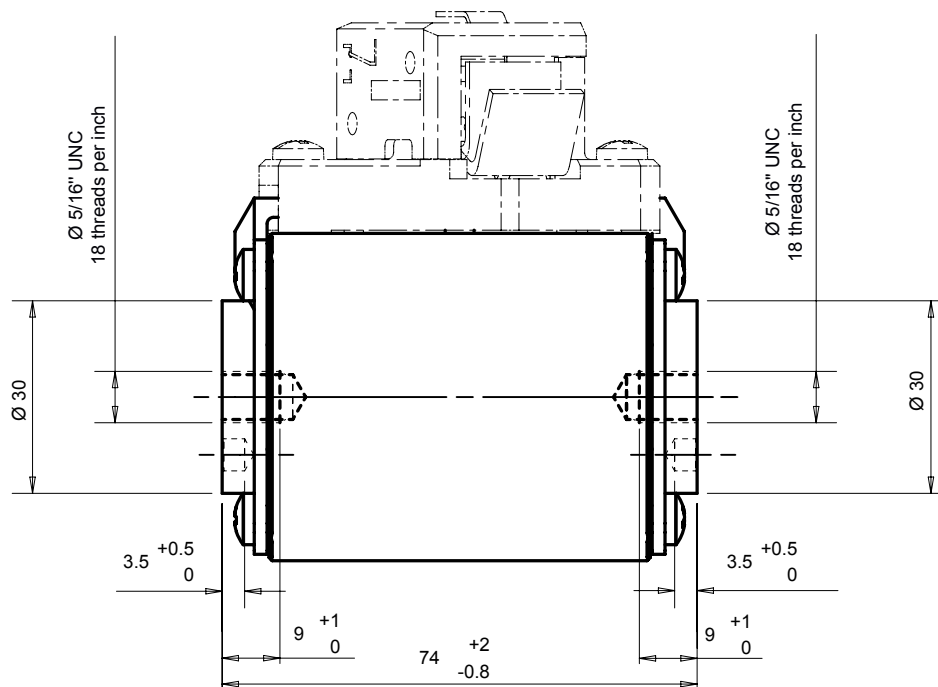


Protistor® size 71 aR

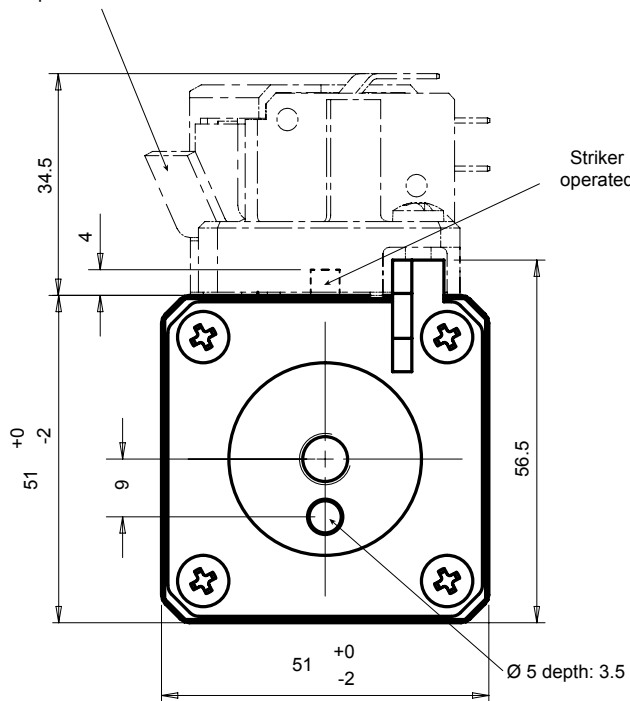
750 to 1250VAC (IEC) / 1300VAC (UL)

DIMENSIONS

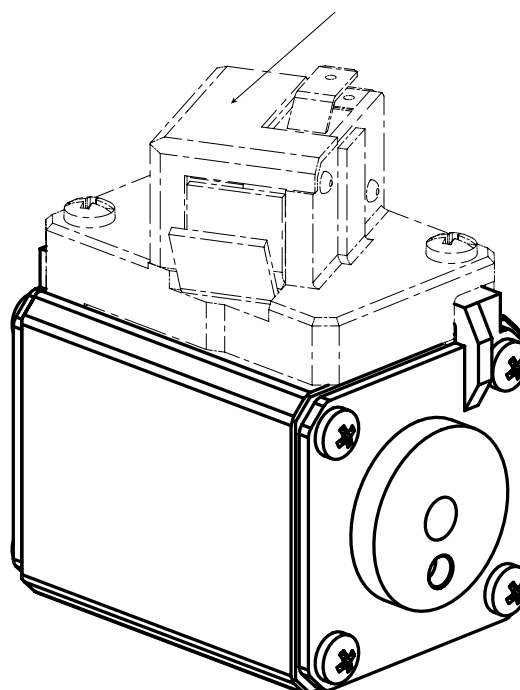
size 71 aR type TTI (109498_C)



Indicator lever visible after operation of fuse



Microswitch



Dimensions in mm

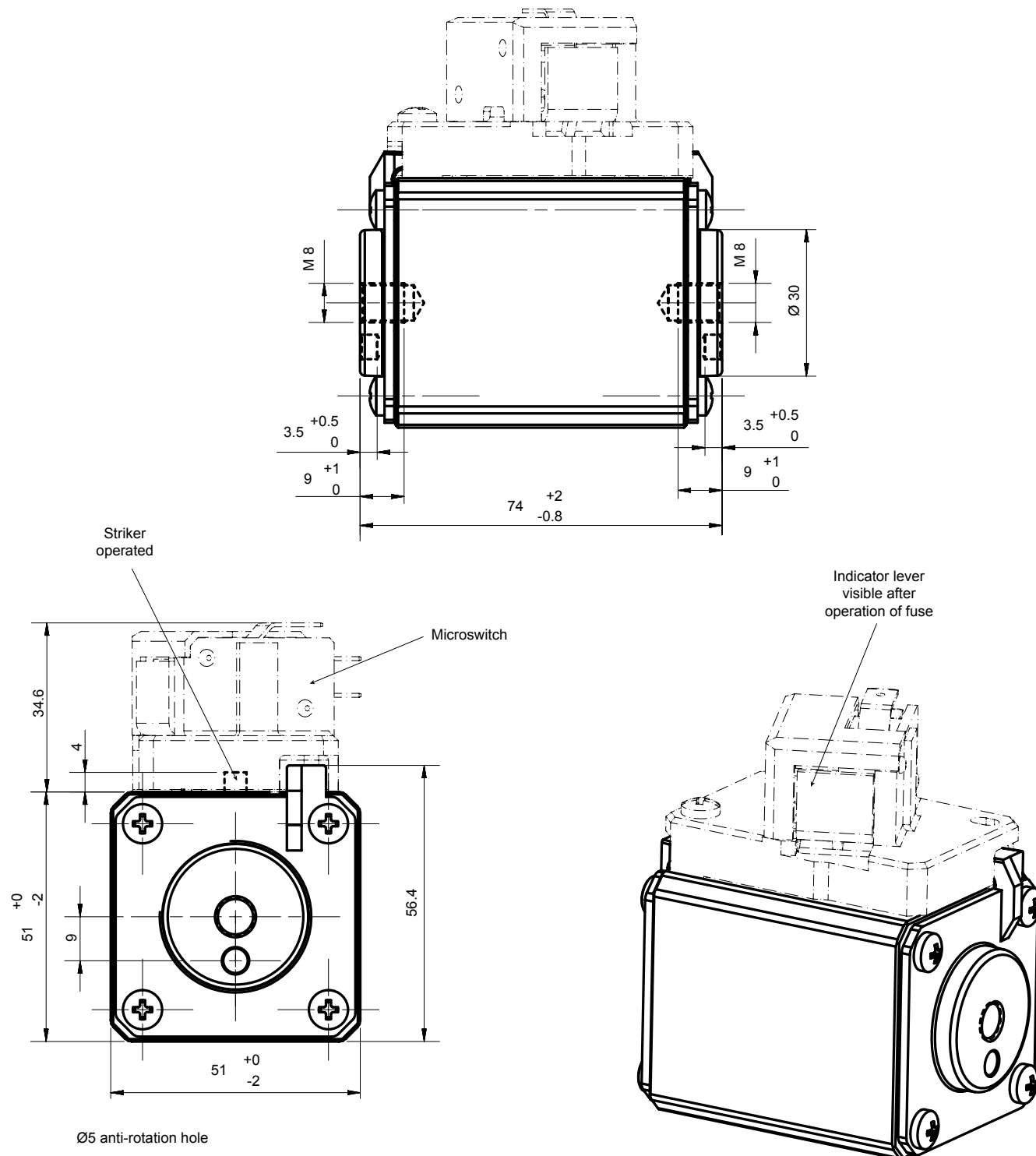
MERSEN reserves the right to change, update or correct, without notice, any information contained in this datasheet.

Protistor® size 71 aR

750 to 1250VAC (IEC) / 1300VAC (UL)

DIMENSIONS

size 71 aR type TTF (105699-C)



Dimensions in mm

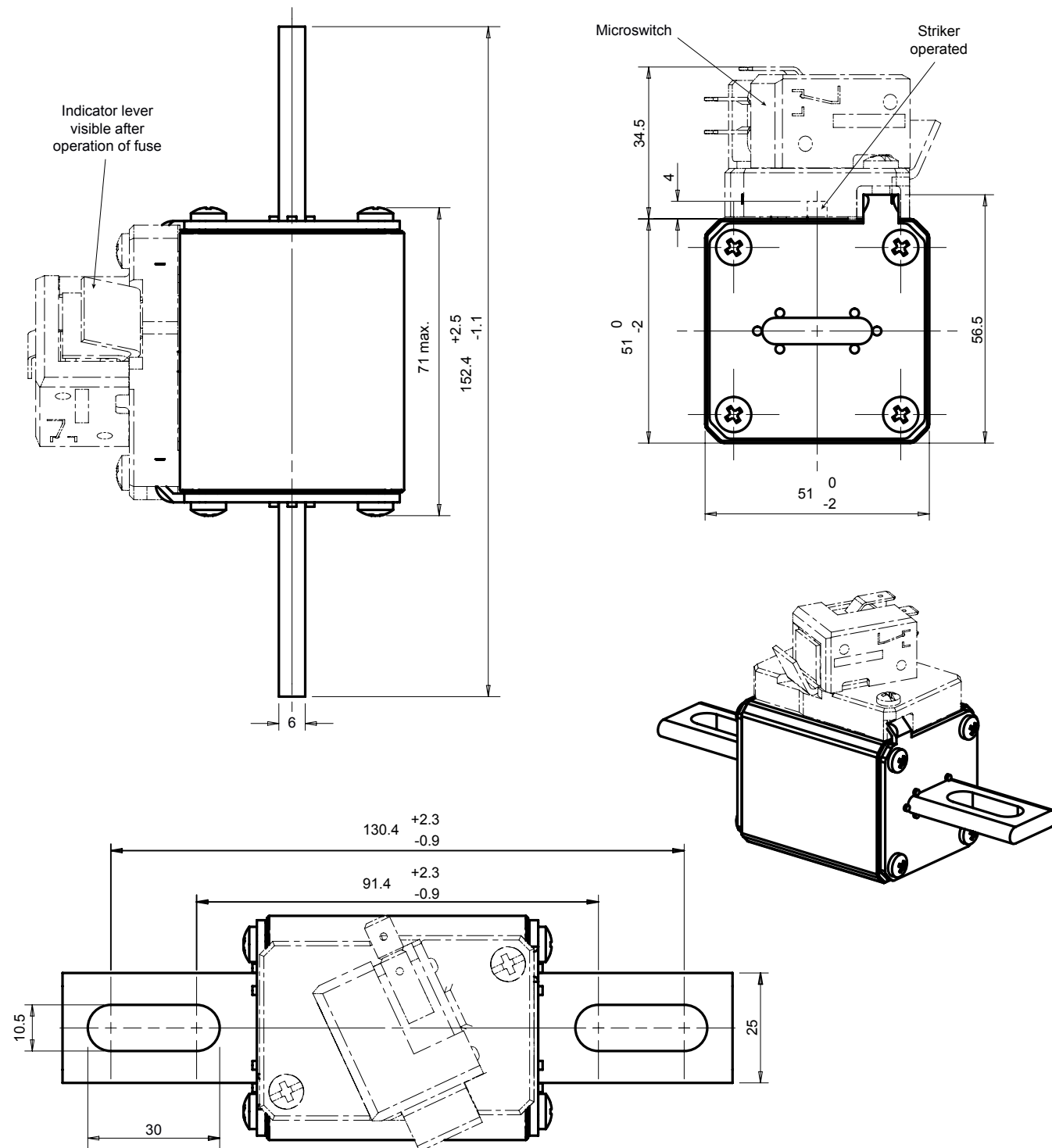
MERSEN reserves the right to change, update or correct, without notice, any information contained in this datasheet.

Protistor® size 71 aR

750 to 1250VAC (IEC) / 1300VAC (UL)

DIMENSIONS

size 71 aR type LLI (105922_C)



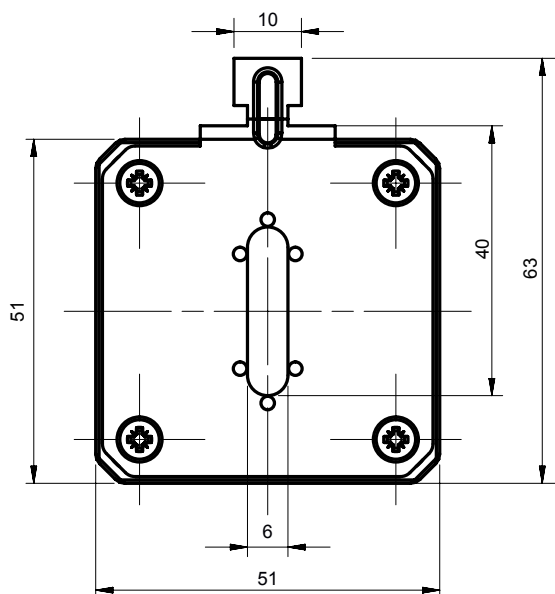
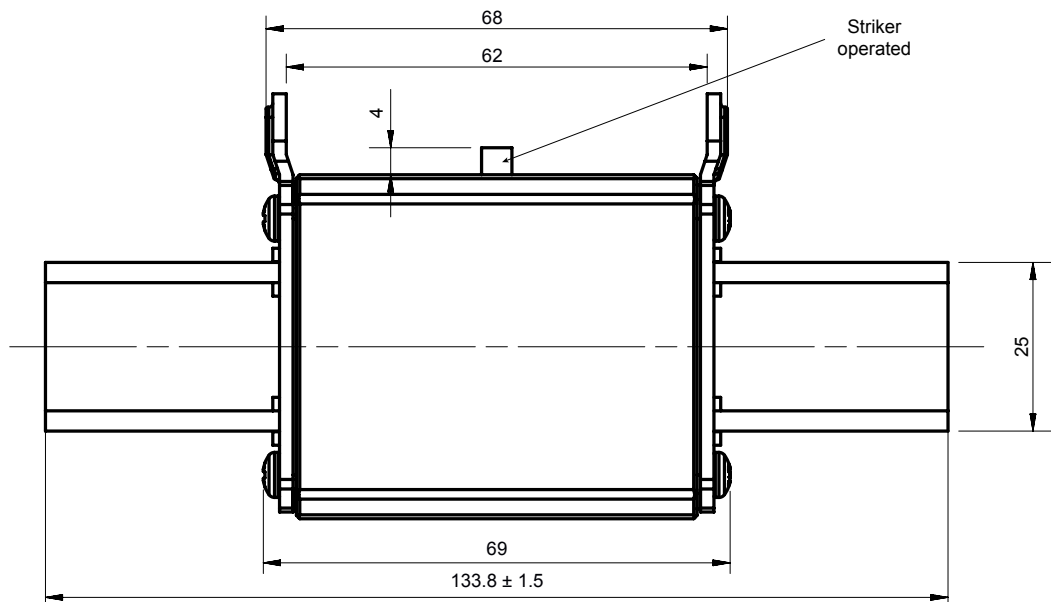
Dimensions in mm

Protistor® size 71 aR

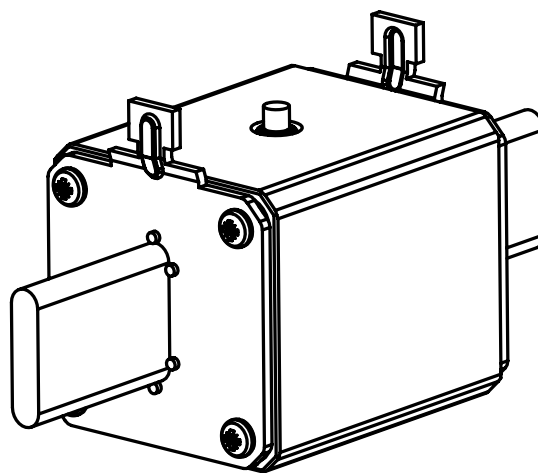
750 to 1250VAC (IEC) / 1300VAC (UL)

DIMENSIONS

size 71 aR type PA (107130_C)



Dimensions in mm

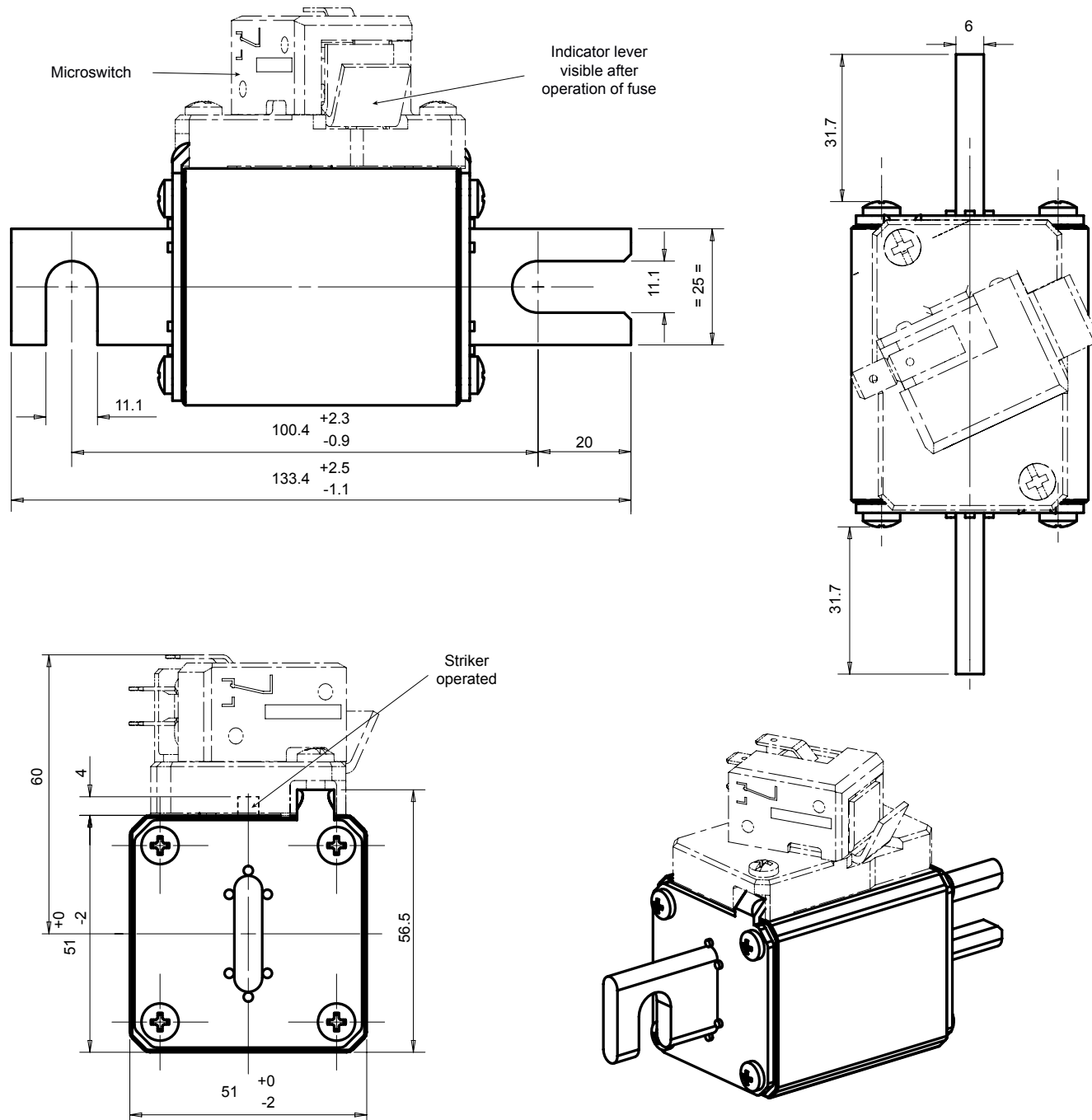


Protistor® size 71 aR

750 to 1250VAC (IEC) / 1300VAC (UL)

DIMENSIONS

size 71 aR type DIN 110 (105712)



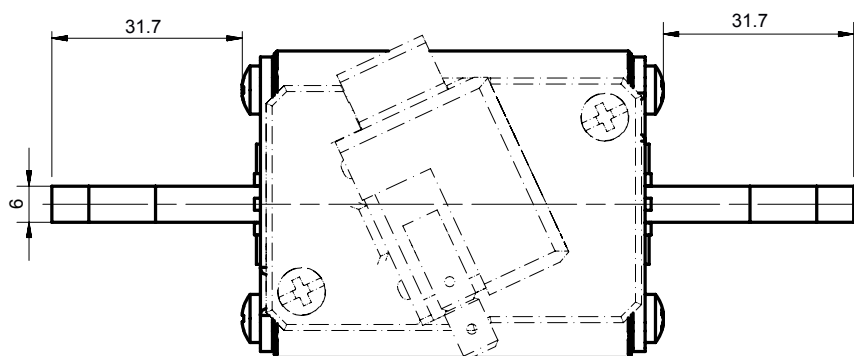
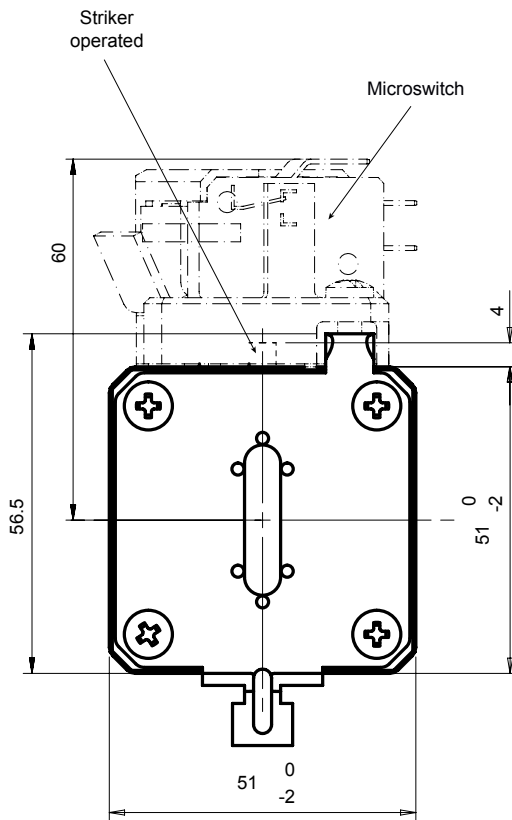
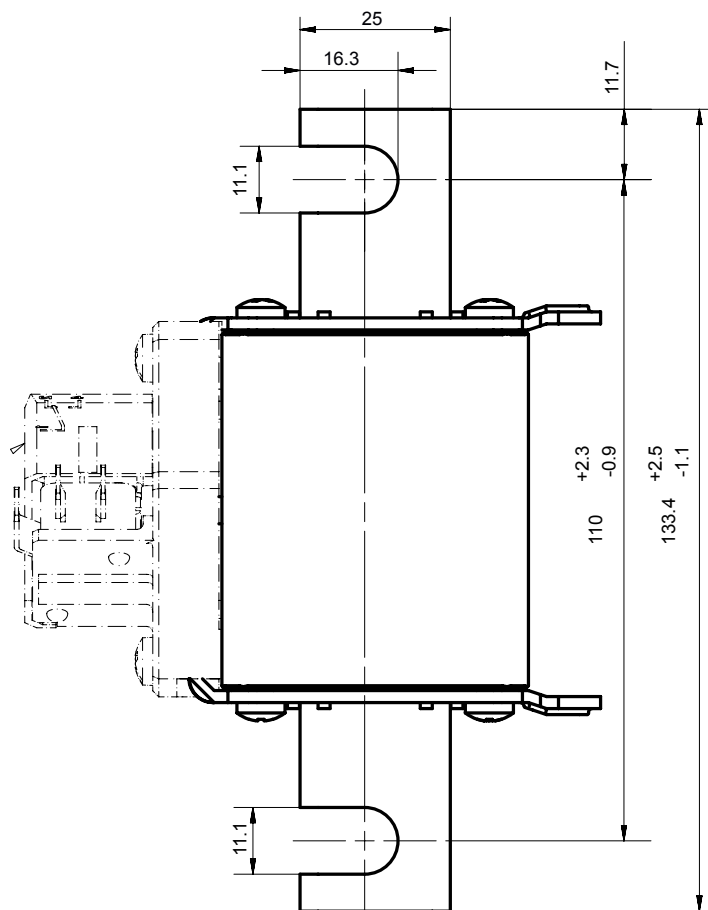
Dimensions in mm

Protistor® size 71 aR

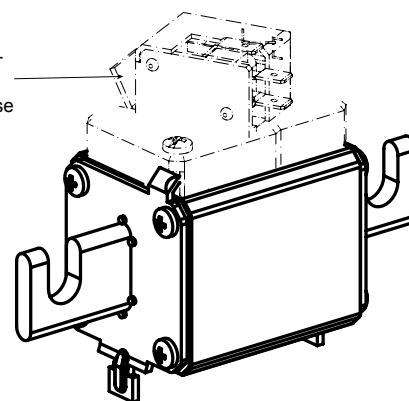
750 to 1250VAC (IEC) / 1300VAC (UL)

DIMENSIONS

size 71 aR type EF (105880_C)



Indicator lever visible after operation of fuse



Dimensions in mm